



Product designation  
Product type designation

Power contactor  
BF95

**Contact characteristics**

Number of poles	Nr.	3
Rated insulation voltage U <sub>i</sub> IEC/EN	V	1000
Rated impulse withstand voltage U <sub>imp</sub>	kV	8
Operational frequency	min	Hz 25
	max	Hz 400
IEC Conventional free air thermal current I <sub>th</sub>	A	140
Operational current I <sub>e</sub>	AC-1 (≤40°C)	A 140
	AC-1 (≤55°C)	A 115
	AC-1 (≤70°C)	A 100
	AC-3 (≤440V ≤55°C)	A 95
	AC-4 (400V)	A 45
Rated operational power AC-3 (T≤55°C)	230V	kW 30
	400V	kW 55
	415V	kW 55
	440V	kW 55
	500V	kW 75
	690V	kW 90
	1000V	kW 45
Rated operational current AC-3 (T≤55°C)	230V	A 95
	400V	A 95
	415V	A 95
	440V	A 95
	500V	A 95
	690V	A 93
	1000V	A 33
IEC max current I <sub>e</sub> in DC1 with L/R ≤ 1ms with 1 poles in series	≤24V	A 140
	48V	A 140
	75V	A 100
	110V	A 10
	220V	A –
IEC max current I <sub>e</sub> in DC1 with L/R ≤ 1ms with 2 poles in series	≤24V	A 140
	48V	A 140
	75V	A 140
	110V	A 110
	220V	A 12
IEC max current I <sub>e</sub> in DC1 with L/R ≤ 1ms with 3 poles in series		

	≤24V	A	140
	48V	A	140
	75V	A	155
	110V	A	120
	220V	A	125
<hr/>			
IEC max current I <sub>e</sub> in DC1 with L/R ≤ 1ms with 4 poles in series	≤24V	A	140
	48V	A	140
	75V	A	155
	110V	A	140
	220V	A	140
<hr/>			
IEC max current I <sub>e</sub> in DC3-DC5 with L/R ≤ 15ms with 1 poles in series	≤24V	A	140
	48V	A	44
	75V	A	36
	110V	A	6
	220V	A	–
<hr/>			
IEC max current I <sub>e</sub> in DC3-DC5 with L/R ≤ 15ms with 2 poles in series	≤24V	A	140
	48V	A	63
	75V	A	60
	110V	A	55
	220V	A	7
<hr/>			
IEC max current I <sub>e</sub> in DC3-DC5 with L/R ≤ 15ms with 3 poles in series	≤24V	A	140
	48V	A	115
	75V	A	90
	110V	A	85
	220V	A	76
<hr/>			
IEC max current I <sub>e</sub> in DC3-DC5 with L/R ≤ 15ms with 4 poles in series	≤24V	A	140
	48V	A	110
	75V	A	110
	110V	A	105
	220V	A	95
<hr/>			
Short-time allowable current for 10s (IEC/EN60947-1)		A	760
<hr/>			
Protection fuse	gG (IEC)	A	160
	aM (IEC)	A	100
<hr/>			
Making capacity (RMS value)		A	1200
<hr/>			
Breaking capacity at voltage	440V	A	1100
	500V	A	775
	690V	A	745
<hr/>			
Resistance per pole (average value)		mΩ	0.45
<hr/>			
Power dissipation per pole (average value)	I <sub>th</sub>	W	8.8
	AC-3	W	4.1
<hr/>			
Tightening torque for terminals	min	Nm	6
	max	Nm	7
	min	I <sub>bin</sub>	4.4
	max	I <sub>bin</sub>	5.2

Tightening torque for coil terminal

min	Nm	0.8
max	Nm	1
min	Ibin	0.59
max	Ibin	0.74

Conductor section

AWG/Kcmil

max		2/0
-----	--	-----

Flexible w/o lug conductor section

min	mm <sup>2</sup>	1.5
max	mm <sup>2</sup>	70

Flexible c/w lug conductor section

min	mm <sup>2</sup>	1.5
max	mm <sup>2</sup>	70

Power terminal protection according to IEC/EN 60529

IP20 front

**Mechanical features**

Operating position

normal allowable	Vertical plan ±30°
------------------	--------------------

Fixing

Screw / DIN rail 35mm

Weight

g 2020

Conductor section

AWG/kcmil conductor section

max		2/0
-----	--	-----

**Auxiliary contact characteristics**

Thermal current I<sub>th</sub>

A 140

**Operations**

Mechanical life

cycles 15000000

Electrical life

cycles 1400000

**AC coil operating**

Rated AC voltage at 50/60Hz

V 400

AC operating voltage

of 50/60Hz coil powered at 50Hz  
pick-up

min	%Us	80
max	%Us	110

drop-out

min	%Us	20
max	%Us	55

of 50/60Hz coil powered at 60Hz  
pick-up

min	%Us	85
max	%Us	110

drop-out

min	%Us	40
max	%Us	55

AC average coil consumption at 20°C

of 50/60Hz coil powered at 50Hz

in-rush	VA	300
holding	VA	20

of 50/60Hz coil powered at 60Hz

in-rush	VA	275
holding	VA	17

of 60Hz coil powered at 60Hz

	in-rush	VA	300
	holding	VA	20
Dissipation at holding ≤20°C 50Hz		W	6.5

**Max cycles frequency**

Mechanical operation		cycles/h	1500
----------------------	--	----------	------

**Operating times**

Average time for Us control in AC			
	Closing NO		
		min	ms 16
		max	ms 32
	Opening NO		
		min	ms 9
		max	ms 24

**UL technical data**

Yielded mechanical performance for three-phase AC motor			
	200/208V	HP	30
	220/230V	HP	30
	460/480V	HP	60
	575/600V	HP	75

**General USE**

Contactor		AC current	A 150
-----------	--	------------	-------

Short-circuit protection fuse, 600V High fault			
	Short circuit current	kA	100
	Fuse rating	A	200
	Fuse class		J

Standard fault			
	Short circuit current	kA	10
	Fuse rating	A	250
	Fuse class		RK5

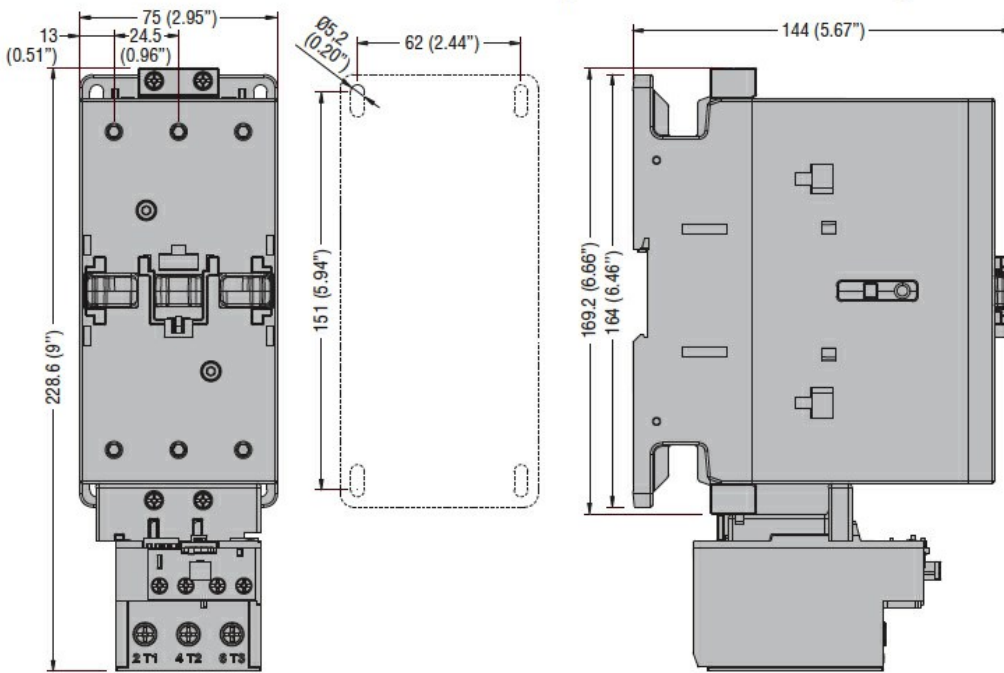
**Ambient conditions**

Temperature			
Operating temperature			
	min	°C	-50
	max	°C	70

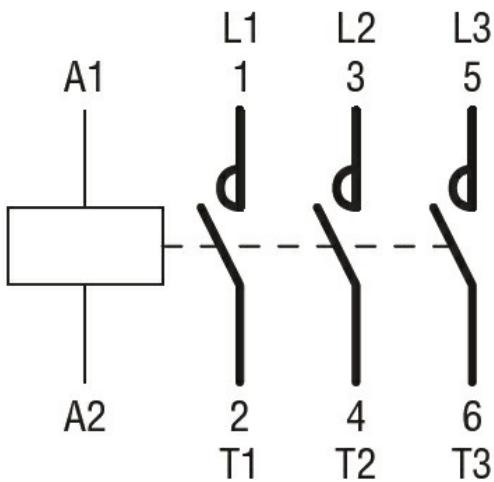
Storage temperature			
	min	°C	-60
	max	°C	+80

Max altitude		m	3000
--------------	--	---	------

**Dimensions**



### Wiring diagrams



### Certifications and compliance

#### Compliance

CSA C22.2 n° 60947-1

CSA C22.2 n° 60947-4-1

IEC/EN/BS 60947-1

IEC/EN/BS 60947-4-1

UL 60947-1

UL 60947-4-1

#### Certificates

CCC

cULus

### ETIM classification

ETIM 8.0

EC000066 -  
Power contactor,  
AC switching