



Signal tower
Ø50mm/1.97"
LTN50

Product designation

Product type designation

General characteristics

Diameter	mm - inch	50 / 1.97
Supply voltage (AC)	V	110...230
IEC degree of protection		IP65
Power consumption	VA	1

Mechanical features

Terminals screw Spring terminals

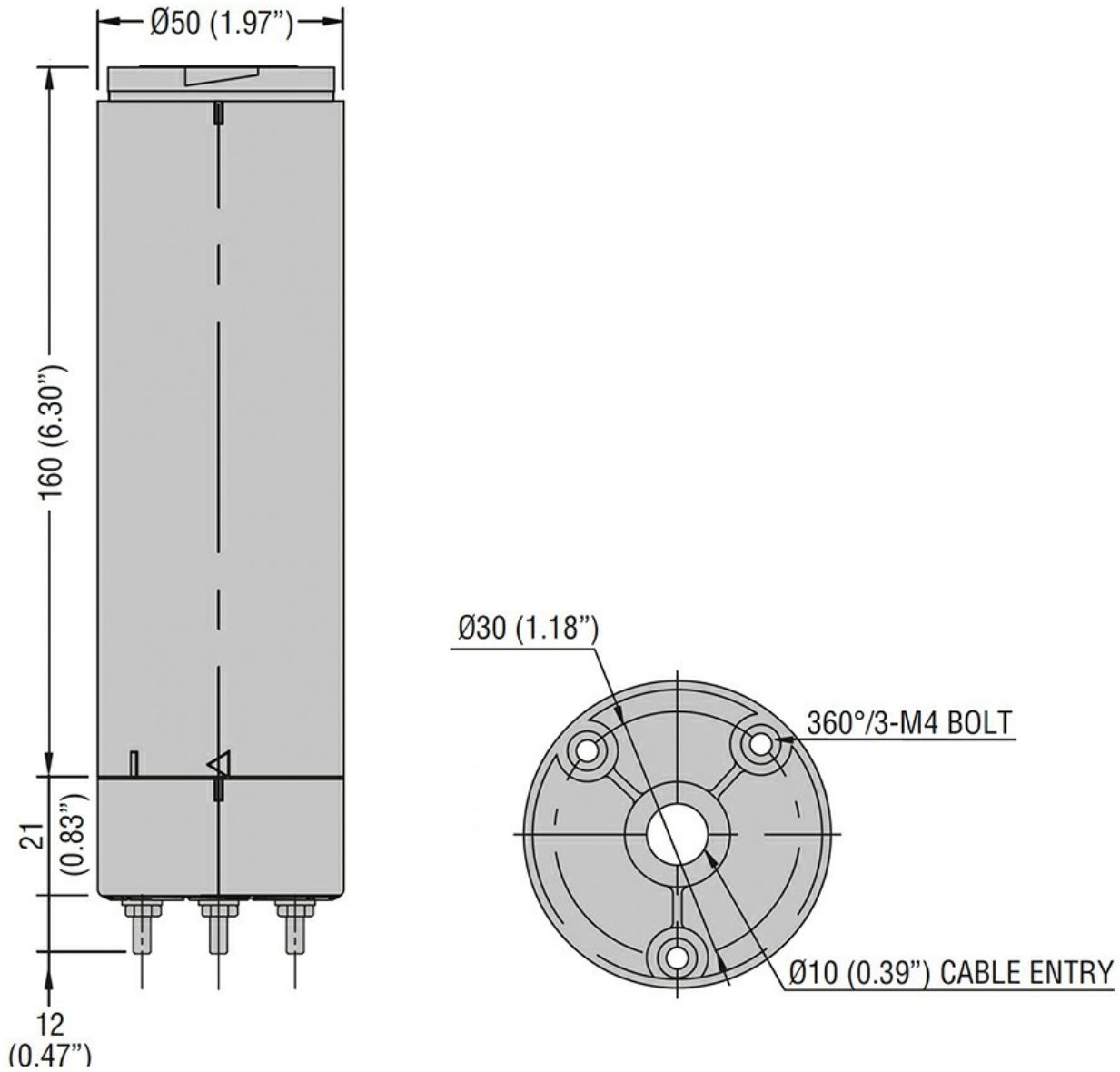
Conductor section	AWG/Kcmil	min	16	
		max	24	
	IEC	min	mm ²	0.25
		max	mm ²	1.5

Weight g 222

Ambient conditions

Temperature	Operating temperature	min	°C	-30
		max	°C	+50

Dimensions



Certifications and compliance

Compliance

CSA C22.2 n° 14
IEC/EN/BS 60947-1
IEC/EN/BS 60947-5-1
UL508

Certificates

cULus

ETIM classification

ETIM 8.0

EC001154 -
 Stand for signal
 tower without
 tube