



Fiche produit

Article n° 92.297.2064.7

assemblage de câbles GST18I3KS-S 15H 20GN07

GST18i3 câble de rallonge mâle - extrémité libre, longueur 2.0 m, 3 pôle, codification selon les exigences du client avec PE, 16 A, couleur de codage vert, couleur du soulagement de traction noir, couleur du câble noir, échantillon représentatif 1.5 mm², type de câble H05Z1Z1-F, classe Feu: Eca



Article n°	92.297.2064.7
EAN	4049088278679
Unité de commande	30 Piece(s)

certificats/approbations

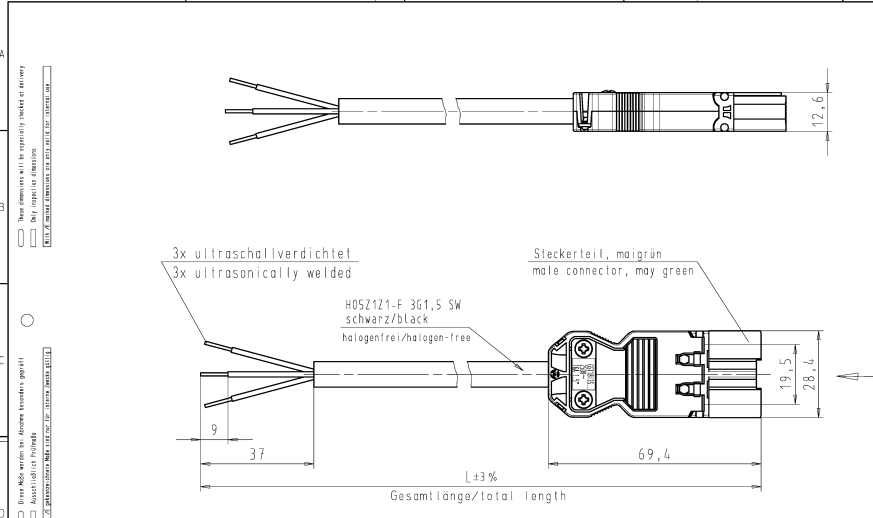
Dessin technique

These dimensions will be repeatedly shown if they vary.

These dimensions will be repeatedly shown if they vary.

These dimensions will be repeatedly shown if they vary.

These dimensions will be repeatedly shown if they vary.



3x ultraschallverdichtet
3x ultrasonically welded

H05Z121-F 3G1,5 SW
schwarz/black
halogenfrei/halogen-free

Steckerteil, maigrün
male connector, may green

12,6

9

37

L ± 3%

Gesamtlänge/total length

69,4

19,5

28,4

Y

M 2:1

2/N = blau/blue

⊕ = grün-gelb
green-yellow


1 = braun/brown

These dimensions will be repeatedly shown if they vary.

These dimensions will be repeatedly shown if they vary.

These dimensions will be repeatedly shown if they vary.

These dimensions will be repeatedly shown if they vary.

Teile-Nr. part-no.	L	Beispiel (Farbe: maigrün) example (colour: may green)	Typ type
92.297.XX64.7	XX in dm-Schritten	92.297.1064.7 = 10dm/L= 1000mm	GST1813KS-S 15H 10GN07
U2.297.XX64.7	XX in m-Schritten	U2.297.1264.7 = 12 m/L=12000mm	GST1813KS-S 15H X12GN07
Weitere Daten siehe KATALOG oder eCatalog.		www.wieland-electric.com eshop.wieland-electric.com	
<small>Toleranzierung Size ISO 14405(2)/Tolerance system Size ISO 14405(2). (This ISO-standard describes the envelope principle. According to the envelope principle the deviations of form and parallelism are limited by the size tolerances). (AB - Zeichnung, keine manuellen Änderungen (AB) - drawing, no manual modifications allowed</small>			
Frähtoleranz nach General tolerance		<small>1. Verwendung: First Use:</small>	<small>Blatt: 1 von 1 Sheet: 1 of 1</small>
<small>Werkstoff/Material: Material: Maßstab/Scale: Vergrößerung/Enlargement: Verkleinerung/Reduction: Verhältnis/Scale: Verhältnis/Scale:</small>		<small>Tag/Date: 18.08. Name: Dütsch T. Zeichnung Nr./Drawing No. 92.297.0264.7 01K</small>	<small>Index</small>
<small>Made in mm/dimensions are in mm</small>			
 www.wieland-electric.com		<small>Typ: Benennung/Title</small> GST1813 PRE-ASSEMBLED CABLE KONFEKT LEITUNG	<small>Stecker-für Ende Schraubausführung/screw connection 250V AC 16A 1,5mm halogen-free</small>

922970264701K_2 CADW3027 Duetsch 2014-08-18T10:47:46 21.000