

Visionary heat sink

SICK
Sensor Intelligence.

Visionary heat sink



Ordering information

Type	Part no.
Visionary heat sink	2127749

Other models and accessories → www.sick.com/

Detailed technical data

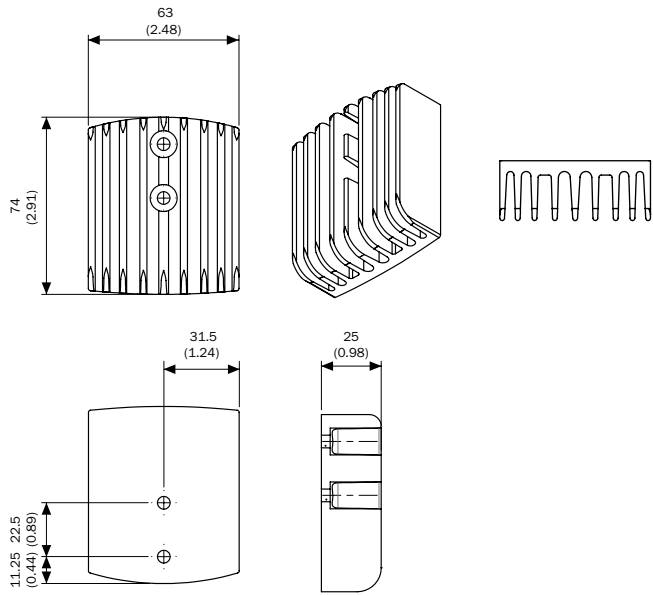
Technical specifications

Accessory group	Heating and cooling devices
Accessory family	Cooling plate
Description	Heat sink (2-part) including screws
Material	Aluminum
Dimensions (W x H x L)	63 mm x 74 mm x 25 mm
Housing color	Black

Classifications

ECLASS 5.0	27310290
ECLASS 5.1.4	27310290
ECLASS 6.0	27310290
ECLASS 6.2	27310290
ECLASS 7.0	27310290
ECLASS 8.0	27310290
ECLASS 8.1	27310290
ECLASS 9.0	27310290
ECLASS 10.0	27310290
ECLASS 11.0	27310292
ECLASS 12.0	27310292
ETIM 5.0	EC001820
ETIM 6.0	EC001820
ETIM 7.0	EC001820
ETIM 8.0	EC001820
UNSPSC 16.0901	43211731

Dimensional drawing (Dimensions in mm (inch))



SICK AT A GLANCE

SICK is one of the leading manufacturers of intelligent sensors and sensor solutions for industrial applications. A unique range of products and services creates the perfect basis for controlling processes securely and efficiently, protecting individuals from accidents and preventing damage to the environment.

We have extensive experience in a wide range of industries and understand their processes and requirements. With intelligent sensors, we can deliver exactly what our customers need. In application centers in Europe, Asia and North America, system solutions are tested and optimized in accordance with customer specifications. All this makes us a reliable supplier and development partner.

Comprehensive services complete our offering: SICK LifeTime Services provide support throughout the machine life cycle and ensure safety and productivity.

For us, that is “Sensor Intelligence.”

WORLDWIDE PRESENCE:

Contacts and other locations –www.sick.com