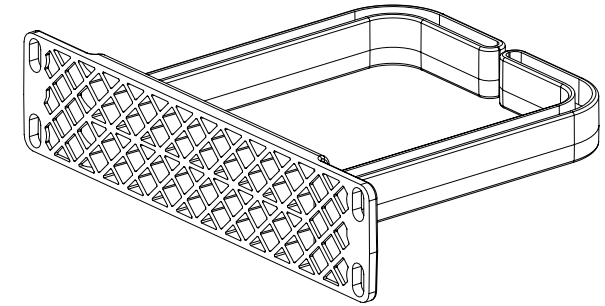
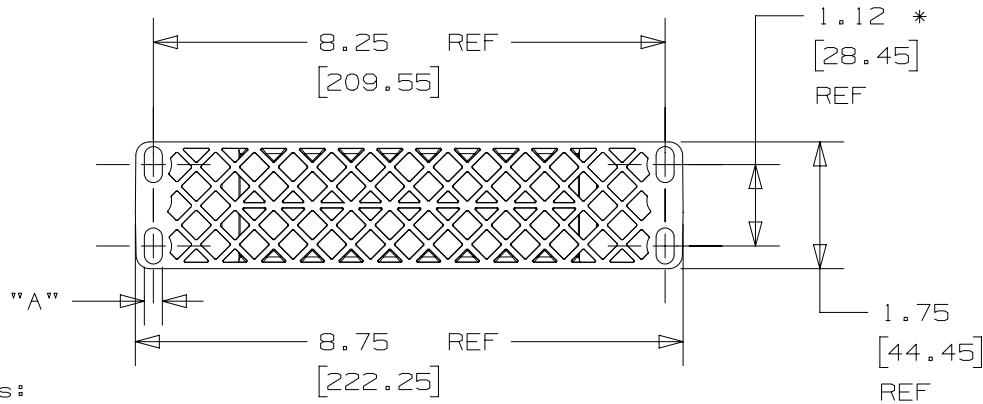
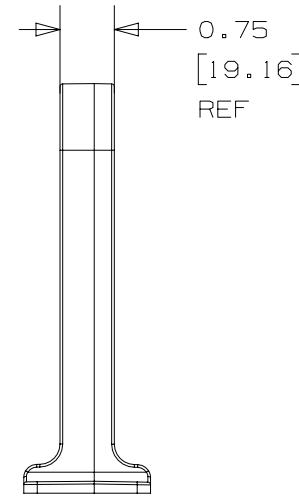
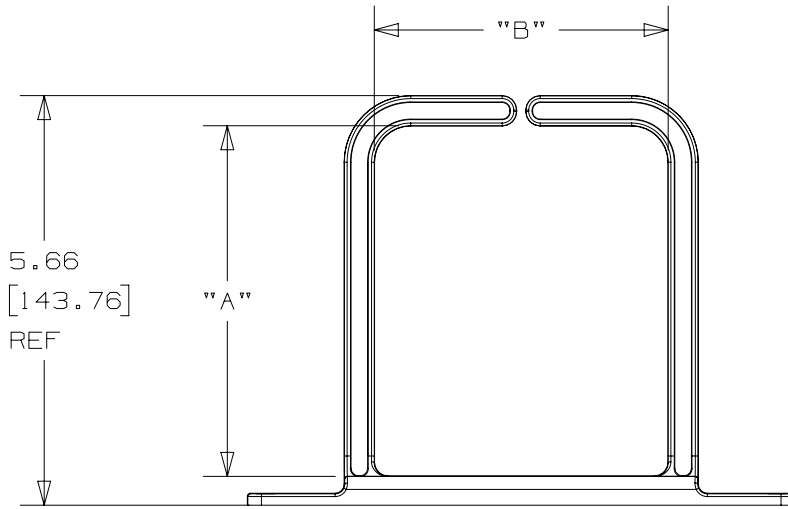


THIS COPY IS PROVIDED ON A RESTRICTED BASIS AND IS NOT TO BE USED IN ANY WAY DETRIMENTAL TO THE INTERESTS OF PANDUIT CORP.

PANDUIT PART NO.	DIMENSIONS			WEIGHT lbs / 10 (grams) / pcs
	"A" (Min)	"B" (Min)	"C"	
CMVDRC	4.72 (119.88)	5.09 (129.29)	0.25 (6.4)	2.51 (1137.2)



Notes:

- \* 1. This product is compatible with EIA/TIA hole spacing requirements for rack mounting components.
- 2. The maximum mounting hardware is 0.236" (6.0 mm) diameter.

TITLE				CABLE MANAGEMENT VERTICAL 'D' RING (CMVDRC)			
CUSTOMER DRAWING							
ITEM REVISION NAME		14V456DV/02		<b>PANDUIT</b>			
DATASET FILE NAME		14V456DV_DC/02A					
UNLESS OTHERWISE SPECIFIED, DIMENSIONAL TOLERANCES ARE:				MATERIAL:			
				FLAME RETARDANT POLYCARBONATE			
				DRAWING NUMBER: GB2248C I			
DRAWN BY		DATE		CHK		SCALE	
JAD		9-18-00				3:8	
THIRD ANGLE PROJECTION							
REV		DATE		BY		DESCRIPTION	
02A		3-7-17		T WV		UPDATED NOTES	
1		2-1-01		JAD		UPDATED GEOMETRY, RELEASED TO PRODUCTION	
REV		DATE		BY		DESCRIPTION	
						ECN	