

# Front Access 4-to-1 Breakout Cassette

## specifications

MTP\* Front Access Fiber Optic Cassettes shall consist of pre-terminated and tested MPO and LC adapters for quick and easy deployment in server rack applications, where access to the rear of the cassette may be challenging. These 4-to-1 conversion cassettes are designed to breakout an 8-fiber MPO into four (4) discrete channels using duplex LC connectors. The cassettes comply with all multimode and singlemode requirements and are wired Universal for 4-to-1 breakouts. MTP Fiber Optic Cassettes are available with a standard channel insertion loss of 0.75dB max and an optimized loss of 0.5dB max. Adapter housing colors follow TIA/EIA-568-C.3 suggested color identification scheme.



## applications

Application areas include server cabinets, or other areas of the data center when access to the rear of the cassette (MPO connector) may be challenged.

## construction

<b>Fiber count:</b>	8 and 16
<b>Fiber types:</b>	Multimode: OM4 50/125µm Singlemode: OS1/OS2 9/125µm
<b>Front connectivity:</b>	LC Duplex: Multimode with PC Polish Singlemode with UPC Polish MTP adapter(s) with Male ferrules (pins): Multimode with PC Polish Singlemode with APC Polish
<b>Split sleeve material (SC or LC adapters):</b>	Zirconia ceramic
<b>Rear MTP connectivity:</b>	Not applicable

\*MTP is a registered trademark of US Conec Ltd.

## standards

Connectivity meets or exceeds TIA/EIA-568-C.3 performance requirements. Supports IEEE 802.3ae and ANSI T11.2 (Fibre Channel) channel and link specifications. Compliant with ROHS 2002/95/EC.

## environmental properties

<b>Operating temperature:</b>	0°C to 70°C (32°F to 158°F)
<b>Storage and shipping temperature:</b>	-40°C to 75°C (-40°F to 167°F)

## performance properties

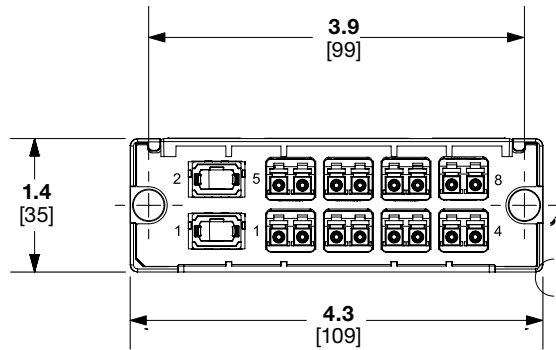
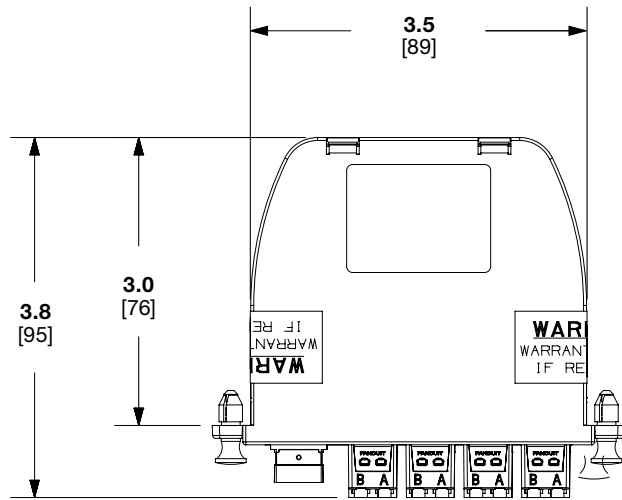
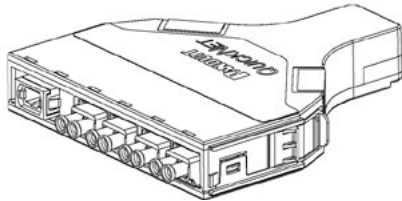
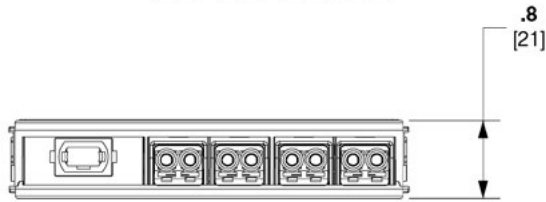
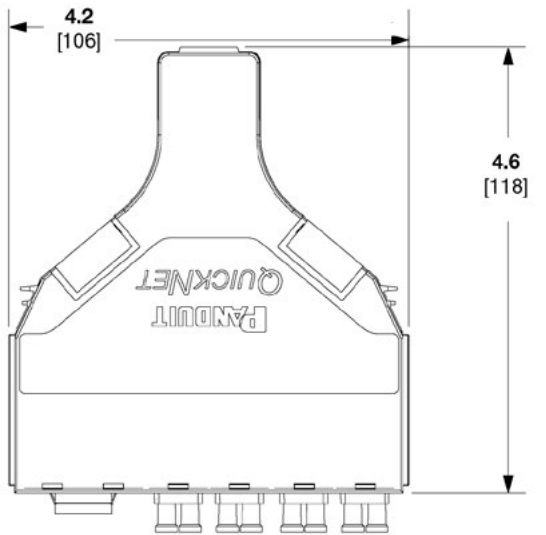
<b>Insertion loss (Link loss):</b>	Ultra Low Loss (Multimode only) (per channel): 0.35dB max. Optimized Loss (Multimode only) (per channel): 0.5dB max. Standard Loss (Singlemode only) (per channel): 0.75dB max.
<b>Return loss:</b>	Per channel: >26dB (OM4) 55dB (OS2)

## ordering information

Part Number	Form Factor	Fiber Type	LC Connectivity	MPO Connectivity	Fiber Count	Polarity
FCF3ZO-16-10U2	OptiCom <sup>®</sup>	OM4	8 LC Duplex	2 MPO	16	Universal (U2)4 - 1 Breakout (uses B connectivity)
FCF39N-16-10U2		OS2				
FQF3ZO-08-10U2	QuickNet <sup>®</sup> SFQ	OM4	4 LC Duplex	1 MPO	8	
FQF39N-08-10U2		OS2				

# Front Access 4-to-1 Breakout Cassette

## front access 4-to-1 breakout cassette



**SFQ Method U2 8f Cassette**

LC Port Number	1		2		3		4	
	A	B	A	B	A	B	A	B
MPO* Fiber Position	1	12	2	11	3	10	4	9

**Opticom Method U2 16f Cassette**

LC Port Number	MPO #1				MPO #2											
	1	2	3	4	1	2	3	4								
MPO* Fiber Position	12	1	11	2	10	3	9	4	12	1	11	2	10	3	9	4

\* Key Up/Key Down Adapter (Black Color) - Requires Method B MPO Connectivity

Dimensions are in inches. [Dimensions in brackets are metric].

### WORLDWIDE SUBSIDIARIES AND SALES OFFICES

PANDUIT US/CANADA  
Phone: 800.777.3300

PANDUIT EUROPE LTD.  
London, UK  
Phone: 44.20.8601.7200

PANDUIT SINGAPORE PTE. LTD.  
Republic of Singapore  
Phone: 65.6305.7575

PANDUIT JAPAN  
Tokyo, Japan  
Phone: 81.3.6863.6000

PANDUIT LATIN AMERICA  
Guadalajara, Mexico  
Phone: 52.33.3777.6000

PANDUIT AUSTRALIA PTY. LTD.  
Victoria, Australia  
Phone: 61.3.9794.9020

For a copy of Panduit product warranties, log on to [www.panduit.com/warranty](http://www.panduit.com/warranty)

For more information

Visit us at [www.panduit.com](http://www.panduit.com)  
Contact Customer Service by email: [cs@panduit.com](mailto:cs@panduit.com)  
or by phone: 800.777.3300



© 2023 Panduit Corp.  
ALL RIGHTS RESERVED.  
FBSP229-WW-ENG  
10/2023