

SUPPORT DE BORNE SBU  
 TERMINAL SUPPORT SBU

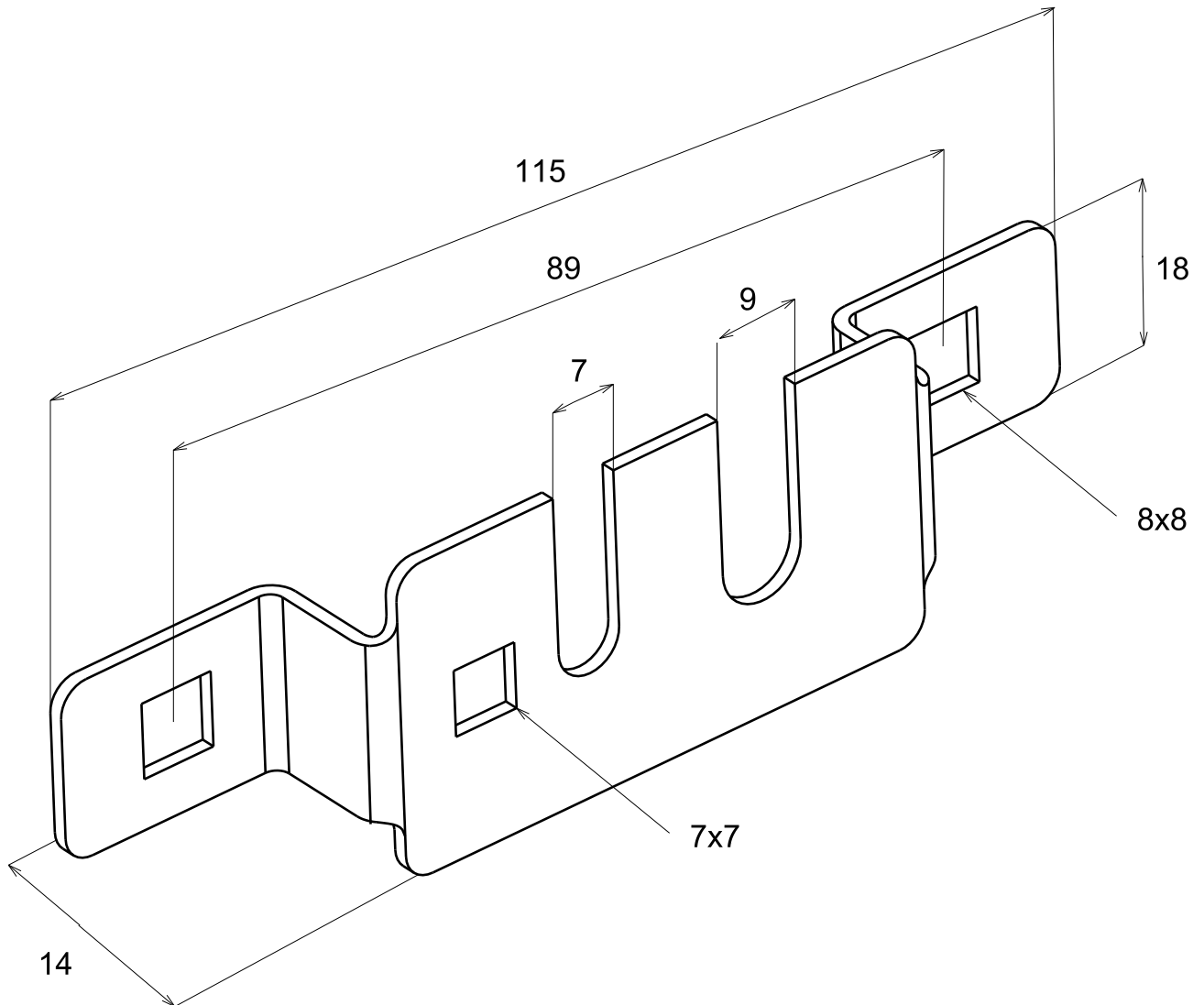
316L  
 316L



CABLE  
 MANAGEMENT

FT 0161-4

03 / 16



EPAISSEUR / THICKNESS 1.5 / 0.06"	NORME / STANDARD
MATIERE / MATERIAL X2 Cr Ni Mo 17-12-2	EN 10088-2
PROTECTION / COATING 316L	

REF	CODE	POIDS / WEIGHT (Kg) / (lb)	
SBU	585 094	0.037	0.082