

Part number

# MKAG VA25



Hood, CKA series, with 2 pegs, M25 side cable entry, size "21.21", with gasket

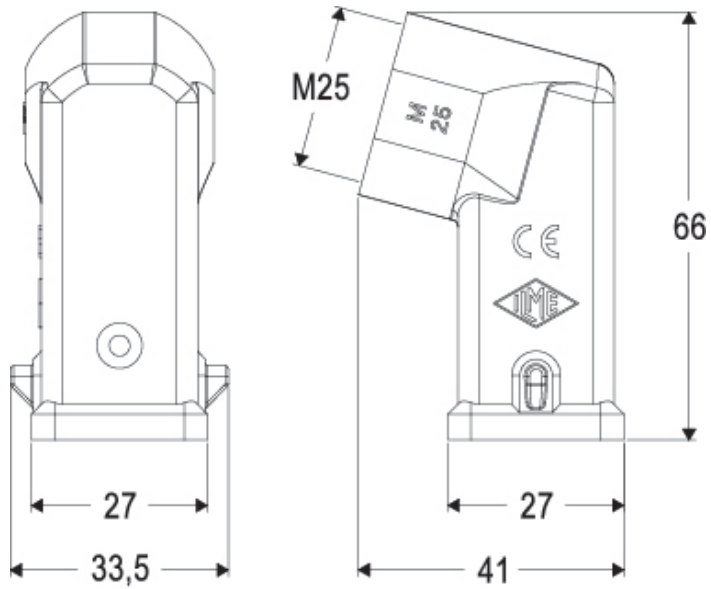
Product description		Material properties	
<b>Product type</b>	Hood	<b>Main material</b>	Zinc die-cast
<b>Series</b>	CKA	<b>Other materials</b>	Gasket: TPE
<b>Closing type</b>	With 2 pegs	<b>Colour</b>	RAL 7040 grey
<b>Size</b>	Size "21.21"	<b>RoHs conformity</b>	Compliant
<b>Cable entry</b>	Side cable entry M25	<b>China RoHs - EFUP</b>	E
<b>Specification</b>	With gasket	<b>REACH SVHC substances</b>	No
Technical data		General ordering information	
<b>IP degree of protection</b>	IP66 / IP67 / IP69	<b>EAN13 code</b>	8015747291279
<b>Further technical details</b>		<b>eCl@ss 8.1</b>	27440202
<b>Weight</b>	78,00 g	<b>ETIM 7.0</b>	EC000437
<b>Operating temperature range (min, max)</b>	-40°C...+125°C	Packaging Information	
		<b>Packaging weight</b>	8,50 kg
		<b>Packaging description</b>	Carton box
		<b>Packaging quantity</b>	100 Pcs
		<b>Packaging EAN code</b>	8015747300285
		<b>Sub-packaging length</b>	185,00 mm
		<b>Sub-packaging height</b>	40,00 mm
		<b>Sub-packaging width</b>	155,00 mm
		<b>Sub-packaging weight</b>	0,85 kg
		<b>Sub-packaging volume</b>	1,15 dm <sup>3</sup>
		<b>Sub-packaging description</b>	Carton box
		<b>Sub-packaging quantity</b>	10 Pcs
		<b>Sub-packaging EAN barcode</b>	8015747291286

Part number

# MKAG VA25



Catalogue drawings



Notes