



Product designation Power contactor
Product type designation BG12

Contact characteristics

| | | |
|--|---|--------|
| Number of poles | Nr. | 3 |
| Rated insulation voltage U_i IEC/EN | V | 690 |
| Rated impulse withstand voltage U_{imp} | kV | 6 |
| Operational frequency | min | Hz 25 |
| | max | Hz 400 |
| IEC Conventional free air thermal current I_{th} | A | 20 |
| Operational current I_e | AC-1 ($\leq 40^\circ\text{C}$) | A 20 |
| | AC-1 ($\leq 55^\circ\text{C}$) | A 18 |
| | AC-1 ($\leq 70^\circ\text{C}$) | A 15 |
| | AC-3 ($\leq 440\text{V} \leq 55^\circ\text{C}$) | A 12 |
| | AC-4 (400V) | A 4.8 |
| Rated operational power AC-3 ($T \leq 55^\circ\text{C}$) | 230V | kW 3.2 |
| | 400V | kW 5.7 |
| | 415V | kW 6.2 |
| | 440V | kW 5.5 |
| | 500V | kW 5 |
| | 690V | kW 5 |
| Rated operational power AC-1 ($T \leq 40^\circ\text{C}$) | 230V | kW 8 |
| | 400V | kW 14 |
| | 500V | kW 16 |
| | 690V | kW 22 |
| IEC max current I_e in DC1 with $L/R \leq 1\text{ms}$ with 1 poles in series | $\leq 24\text{V}$ | A 12 |
| | 48V | A 10 |
| | 75V | A 4 |
| | 110V | A 3 |
| | 220V | A – |
| IEC max current I_e in DC1 with $L/R \leq 1\text{ms}$ with 2 poles in series | $\leq 24\text{V}$ | A 15 |
| | 48V | A 14 |
| | 75V | A 9 |
| | 110V | A 8 |
| | 220V | A – |
| IEC max current I_e in DC1 with $L/R \leq 1\text{ms}$ with 3 poles in series | $\leq 24\text{V}$ | A 16 |
| | 48V | A 16 |
| | 75V | A 10 |
| | 110V | A 10 |

| | | | |
|--|----------|------|------|
| | 220V | A | 2 |
| IEC max current Ie in DC1 with L/R ≤ 1ms with 4 poles in series | ≤24V | A | – |
| | 48V | A | – |
| | 75V | A | – |
| | 110V | A | – |
| | 220V | A | – |
| IEC max current Ie in DC3-DC5 with L/R ≤ 15ms with 1 poles in series | ≤24V | A | 7 |
| | 48V | A | 6 |
| | 75V | A | 2 |
| | 110V | A | 1 |
| | 220V | A | – |
| IEC max current Ie in DC3-DC5 with L/R ≤ 15ms with 2 poles in series | ≤24V | A | 8 |
| | 48V | A | 8 |
| | 75V | A | 5 |
| | 110V | A | 4 |
| | 220V | A | – |
| IEC max current Ie in DC3-DC5 with L/R ≤ 15ms with 3 poles in series | ≤24V | A | 10 |
| | 48V | A | 10 |
| | 75V | A | 6 |
| | 110V | A | 5 |
| | 220V | A | 0,8 |
| IEC max current Ie in DC3-DC5 with L/R ≤ 15ms with 4 poles in series | ≤24V | A | – |
| | 48V | A | – |
| | 75V | A | – |
| | 110V | A | – |
| | 220V | A | – |
| Short-time allowable current for 10s (IEC/EN60947-1) | | A | 96 |
| Protection fuse | gG (IEC) | A | 20 |
| | aM (IEC) | A | 16 |
| Making capacity (RMS value) | | A | 120 |
| Breaking capacity at voltage | 440V | A | 96 |
| | 500V | A | 72 |
| | 690V | A | 72 |
| Resistance per pole (average value) | | mΩ | 10 |
| Power dissipation per pole (average value) | Ith | W | 4 |
| | AC-3 | W | 1.44 |
| Tightening torque for terminals | min | Nm | 0.8 |
| | max | Nm | 1 |
| | min | Ibin | 9 |
| | max | Ibin | 9 |
| Tightening torque for coil terminal | min | Nm | 0.8 |
| | max | Nm | 1 |
| | min | Ibin | 9 |

| | | | | |
|---|-----------|-----|-----------------|--------------------------|
| | | max | lbin | 9 |
| Max number of wires simultaneously connectable | | | Nr. | 2 |
| Conductor section | AWG/Kcmil | max | | 12 |
| Flexible w/o lug conductor section | | min | mm ² | 0.75 |
| | | max | mm ² | 2.5 |
| Flexible c/w lug conductor section | | min | mm ² | 1.5 |
| | | max | mm ² | 2.5 |
| Flexible with insulated spade lug conductor section | | min | mm ² | 1.5 |
| | | max | mm ² | 2.5 |
| Power terminal protection according to IEC/EN 60529 | | | | IP20 when properly wired |

Mechanical features

| | | | | |
|--------------------|-----------------------------|------------------|---|-----------------------|
| Operating position | | normal allowable | | Vertical plan ±30° |
| Fixing | | | | Screw / DIN rail 35mm |
| Weight | | | g | 180 |
| Conductor section | AWG/kcmil conductor section | max | | 12 |

Auxiliary contact characteristics

| | | | | |
|---------------------------------|--|------|---|-------------|
| Thermal current I _{th} | | A | | 10 |
| IEC/EN 60947-5-1 designation | | | | A600 - Q600 |
| Operating current AC15 | | 230V | A | 3 |
| | | 400V | A | 1.9 |
| | | 500V | A | 1.4 |
| Operating current DC12 | | 110V | A | 2.9 |
| Operating current DC13 | | 24V | A | 2.9 |
| | | 48V | A | 1.4 |
| | | 60V | A | 1.2 |
| | | 110V | A | 0.6 |
| | | 125V | A | 0.55 |
| | | 220V | A | 0.3 |
| | | 600V | A | 0.1 |

Operations

| | | | | |
|-----------------|--|--------|--|----------|
| Mechanical life | | cycles | | 20000000 |
| Electrical life | | cycles | | 500000 |

Safety related data

| | | | | |
|--|--|-----------------|--------|----------|
| Performance level B10d according to EN/ISO 13489-1 | | rated load | cycles | 500000 |
| | | mechanical load | cycles | 20000000 |
| Mirror contacts according to IEC/EN 60947-4-1 | | | | yes |
| EMC compatibility | | | | yes |

AC coil operating

| | | |
|--|------------|------|
| Rated AC voltage at 60Hz | V | 120 |
| AC operating voltage | | |
| of 60Hz coil powered at 60Hz | | |
| pick-up | min %Us | 75 |
| | max %Us | 115 |
| drop-out | min %Us | 20 |
| | max %Us | 55 |
| AC average coil consumption at 20°C | | |
| of 50/60Hz coil powered at 50Hz | in-rush VA | 30 |
| | holding VA | 4 |
| of 50/60Hz coil powered at 60Hz | in-rush VA | 25 |
| | holding VA | 3 |
| of 60Hz coil powered at 60Hz | in-rush VA | 30 |
| | holding VA | 4 |
| Dissipation at holding ≤20°C 50Hz | W | 0.95 |
| Max cycles frequency | | |
| Mechanical operation | cycles/h | 3600 |
| Operating times | | |
| Average time for Us control | | |
| in AC | | |
| Closing NO | min ms | 12 |
| | max ms | 21 |
| Opening NO | min ms | 9 |
| | max ms | 18 |
| Closing NC | min ms | 17 |
| | max ms | 26 |
| Opening NC | min ms | 7 |
| | max ms | 17 |
| in DC | | |
| Closing NO | min ms | 18 |
| | max ms | 25 |
| Opening NO | min ms | 2 |
| | max ms | 3 |
| Closing NC | min ms | 3 |
| | max ms | 5 |
| Opening NC | min ms | 11 |
| | max ms | 17 |
| UL technical data | | |
| Full-load current (FLA) for three-phase AC motor | | |
| | at 480V A | 11 |
| | at 600V A | 11 |

Yielded mechanical performance

for single-phase AC motor

| | | |
|----------|----|-----|
| 110/120V | HP | 0.5 |
| 230V | HP | 1.5 |

for three-phase AC motor

| | | |
|----------|----|-----|
| 200/208V | HP | 3 |
| 220/230V | HP | 3 |
| 460/480V | HP | 7.5 |
| 575/600V | HP | 10 |

General USE

Contactor

| | | |
|------------|---|----|
| AC current | A | 20 |
|------------|---|----|

Short-circuit protection fuse, 600V

High fault

| | | |
|-----------------------|----|-----|
| Short circuit current | kA | 100 |
| Fuse rating | A | 30 |
| Fuse class | | J |

Standard fault

| | | |
|-----------------------|----|-----|
| Short circuit current | kA | 5 |
| Fuse rating | A | 30 |
| Fuse class | | RK5 |

Contact rating of auxiliary contacts according to UL

A600 - Q600

Ambient conditions

Temperature

Operating temperature

| | | |
|-----|----|-----|
| min | °C | -50 |
| max | °C | +70 |

Storage temperature

| | | |
|-----|----|-----|
| min | °C | -60 |
| max | °C | +80 |

Max altitude

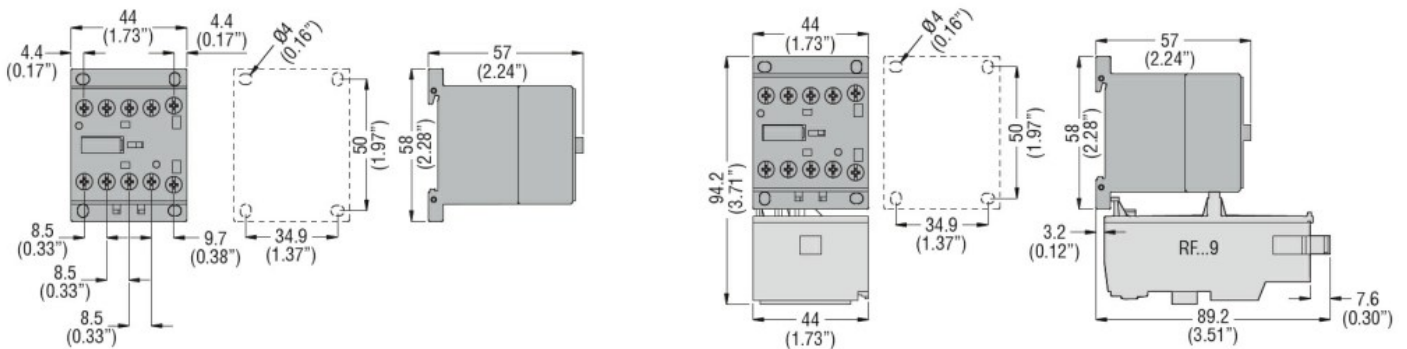
m 3000

Resistance & Protection

Pollution degree

3

Dimensions



Wiring diagrams



Certifications and compliance

Compliance

CSA C22.2 n° 60947-1

CSA C22.2 n° 60947-4-1

IEC/EN 60947-1

IEC/EN 60947-4-1

UL 60947-1

UL 60947-4-1

Certificates

CCC

cULus

EAC

ETIM classification

ETIM 8.0

EC000066 -
 Power contactor,
 AC switching