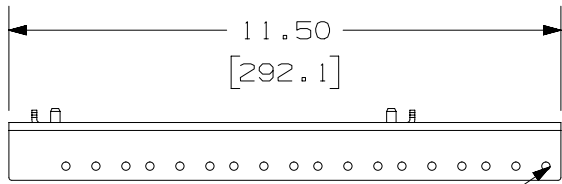


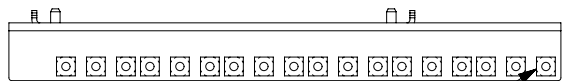
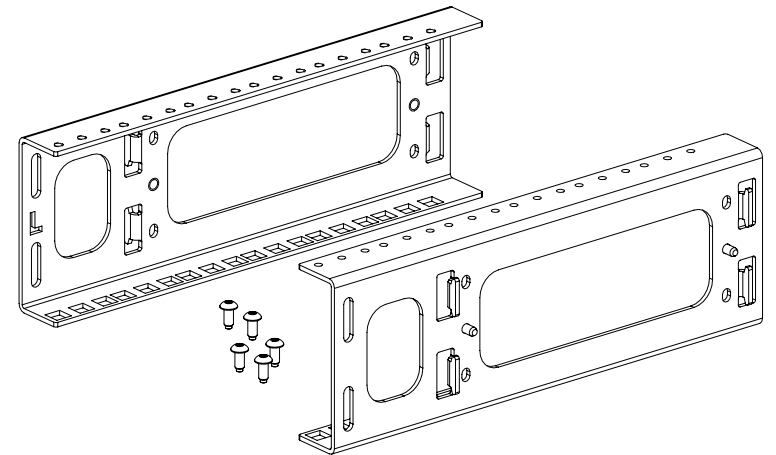
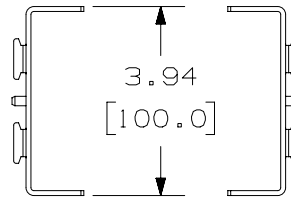
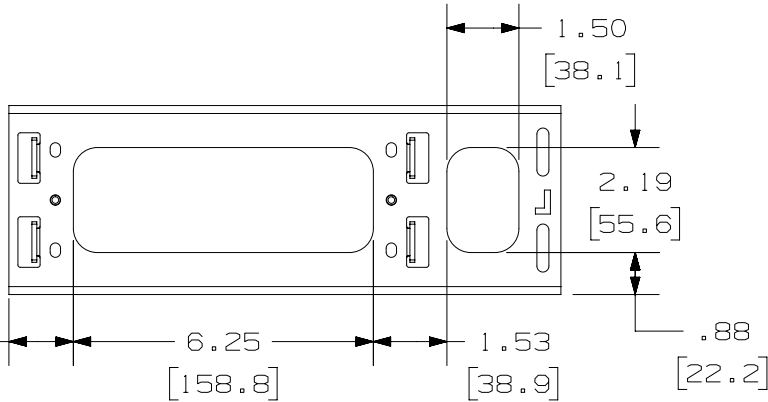
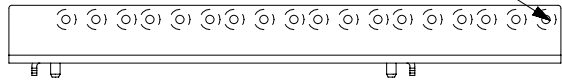
THIS COPY IS PROVIDED ON A RESTRICTED BASIS AND IS NOT TO BE USED IN ANY WAY DETRIMENTAL TO THE INTERESTS OF PANDUIT CORP.

NOTES:

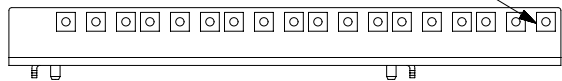
1. VISIT OUR ON-LINE CATALOG AT WWW.PANDUIT.COM FOR A LIST OF CURRENT PARTS APPLICABLE FOR USE WITH THIS PRODUCT.
2. DIMENSIONS IN [ ] ARE METRIC.
3. ALL MATERIALS AND COMPONENTS USED MEET THE MATERIAL RESTRICTIONS OF RoHS (EUROPEAN DIRECTIVE 2011/65/EU ON THE RESTRICTION OF HAZARDOUS SUBSTANCES) AS PROPOSED BY THE RoHS TECHNICAL ADAPTATION COMMITTEE.
4. WEIGHT: 1.6 LB [0.73 kg]
5. PART INCLUDES:  
1- PAIR ADDITIONAL E-RAILS (LEFT/RIGHT)  
5- M5 X 12mm BUTTON HEAD SCREWS



#12-24 THREADED HOLES



CAGE NUT HOLES



PART NUMBER		WME6ERAIL				
TITLE		ADDITIONAL E-RAILS FOR WME6				
		CUSTOMER DRAWING				
ITEM REVISION NAME		00490EAJ/00				
DATASET FILE NAME		00490EAJ_DC/00A				
		THIRD ANGLE PROJECTION				
MATERIAL		STEEL				
		DRAWING NUMBER				
		00490EAJ-DC				
00A	5-19-20	TWV	KZU	BETL	RELEASED TO PRODUCTION	M09000L0
REV	DATE	BY	CHK	APR	DESCRIPTION	ECN
DRAWN BY		DATE	CHK	SCALE	DRAWING NUMBER	
TWV		5-19-20	KZU	1:4	00490EAJ-DC	
		SHEET 1 OF 1		SIZE		
				A		

A-SIZE CUSTOMER

2

1

2

1