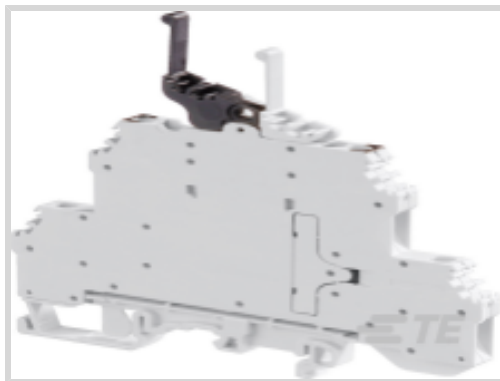


1SNA199444R2500 ✓ ACTIVE

TE Internal #: 1SNA199444R2500

TE Internal Description: M4/6.D2.2S2

[View on TE.com >](#)



## Product Compliance

[For compliance documentation, visit the product page on TE.com>](#)

EU RoHS Directive 2011/65/EU	Compliant
EU ELV Directive 2000/53/EC	Compliant
China RoHS 2 Directive MIIT Order No 32, 2016	No Restricted Materials Above Threshold
EU REACH Regulation (EC) No. 1907/2006	Current ECHA Candidate List: JUNE 2022 (224) Candidate List Declared Against: JUNE 2022 (224) Does not contain REACH SVHC
Halogen Content	Low Halogen - Br, Cl, F, I < 900 ppm per homogenous material. Also BFR/CFR/PVC Free
Solder Process Capability	Not reviewed for solder process capability

### Product Compliance Disclaimer

This information is provided based on reasonable inquiry of our suppliers and represents our current actual knowledge based on the information they provided. This information is subject to change. The part numbers that TE has identified as EU RoHS compliant have a maximum concentration of 0.1% by weight in homogenous materials for lead, hexavalent chromium, mercury, PBB, PBDE, DBP, BBP, DEHP, DIBP, and 0.01% for cadmium, or qualify for an exemption to these limits as defined in the Annexes of Directive 2011/65/EU (RoHS2). Finished electrical and electronic equipment products will be CE marked as required by Directive 2011/65/EU. Components may not be CE marked. Additionally, the part numbers that TE has identified as EU ELV compliant have a maximum concentration of 0.1% by weight in homogenous materials for lead, hexavalent chromium, and mercury, and 0.01% for cadmium, or qualify for an exemption to these limits as defined in the Annexes of Directive 2000/53/EC (ELV). Regarding the REACH Regulation, the information TE provides on SVHC in articles for this part number is based on the latest European Chemicals Agency (ECHA) 'Guidance on requirements for substances in articles' posted at this URL: <https://echa.europa.eu/guidance-documents/guidance-on-reach>

## Compatible Parts



TE Part # 1SNA113546R1400  
PC6-2



TE Part # 1SNA113548R2600  
PC6-10



TE Part # 1SNA116536R0500  
PC6-3



TE Part # 1SNA116537R0600  
PC6-4



TE Part # 1SNA233000R0100  
RC610

TE Part # 1SNA113550R2400  
EIP

TE Part # 1SNA114205R2000  
AD2.5

TE Part # 1SNA116900R2700  
BADH

TE Part # 1SNA178408R1400  
CBD2S

### Customers Also Bought



TE Part #1SNA115663R2300  
M4/8.SFD

TE Part #1SNA168160R1400  
BRE-T-0.34

TE Part #1SNA020800R0200  
RIHE-1611-FSWC-24VDC

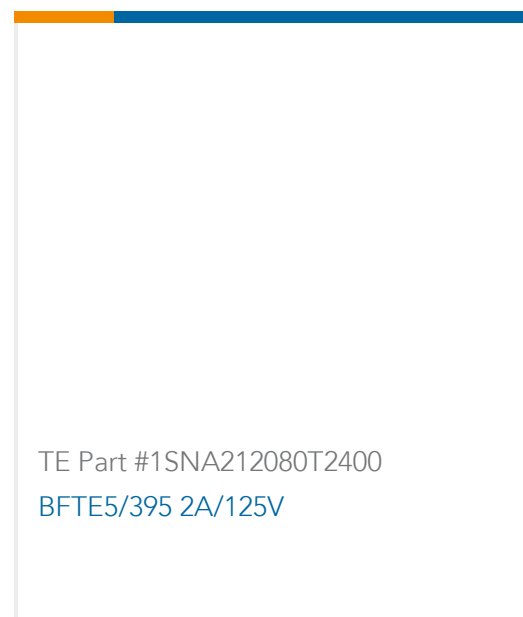
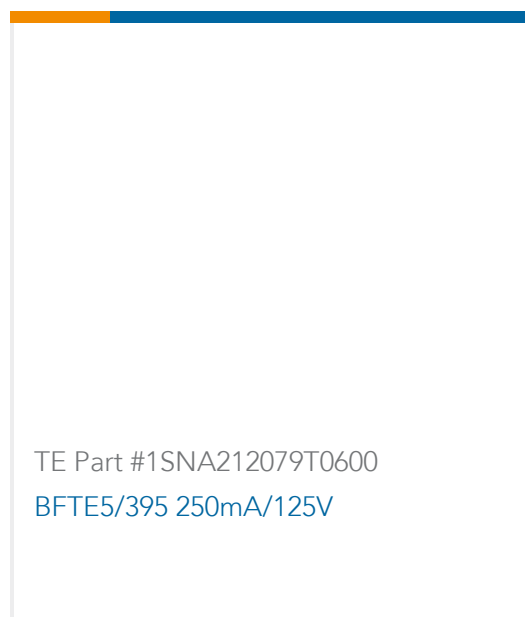
TE Part #1SNA020802R2000  
BFHE-10/20-8-BF

TE Part #1SNA020803R2100  
BFHE-10/20-16-BF

TE Part #1SNA020856R2500  
RIHE-1611-FSWC-IN-24VDC

TE Part #1SNA116522R0700  
BFU2.S12.G

TE Part #1SNA146212R2600  
M10/10.RS.EX



## Documents

### Datasheets & Catalog Pages

[M4/6.D2.2S2](#)

English

[ENTRELEC Terminal Block - Master Catalog](#)

English

[ENTRELEC Terminal Blocks Catalogue \(RUS\)](#)