

Keyboard Drawer and Document Storages for DIGITUS® 19" Cabinets



✓ Easy mounting

✓ Fixing at mounting angles

✓ Extensible and lockable

✓ Loading capacity: 25 kg

Abstract

Keyboard Drawer and Document Storages for DIGITUS® 19" Cabinets

Features

- Fixing at mounting angles
- Extractable and lockable
- Dimensions (WxD): 483x400 mm
- Height Units: 1U - 3U
- Loading capacity: 25 kg
- Available in colors grey (RAL 7035) and black (RAL 9005)
- Inclusive mounting material

Product Overview

The keyboard drawer and document storages from DIGITUS® are suitable for all DIGITUS® 19" cabinets, except for the unmounted wall mounting cabinets. The installation takes place via fixing at the mounting angles.

Product Images



Product Number Information

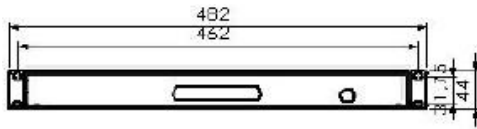
DN-19 KEY-1U	DIGITUS® 1U lockable keyboard shelf, color grey (RAL 7035)
DN-19 KEY-1U-SW	DIGITUS® 1U lockable keyboard shelf, color black (RAL 9005)
DN-19 KEY-2U	DIGITUS® 2U lockable keyboard shelf, color grey (RAL 7035)
DN-19 KEY-2U-SW	DIGITUS® 2U lockable keyboard shelf, color black (RAL 9005)
DN-19 KEY-3U	DIGITUS® 3U lockable keyboard shelf, color grey (RAL 7035)
DN-19 KEY-3U-SW	DIGITUS® 3U lockable keyboard shelf, color black (RAL 9005)

More Accessories from DIGITUS[®]

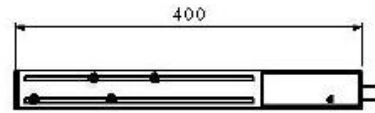
DN-19 EARTH	Earthing leads & potential for DIGITUS [®] cabinets, equalisation busbar
DN-19 CASTOR	Castor group for DIGITUS [®] cabinets, break system for 2 front castors, load capacity 250kg
DN-19 CASTOR-WB	Castor group for unmounted DIGITUS [®] cabinets, break system for 2 front castors, load capacity 250kg
DN-19 FEET	Feet for DIGITUS [®] free standing cabinets, 4 pieces
DN-97612	DIGITUS [®] 1U blank panel, color grey (RAL 7035)
DN-97613	DIGITUS [®] 2U blank panel, color grey (RAL 7035)
DN-19 BPN-03	DIGITUS [®] 3U blank panel, color grey (RAL 7035)
DN-19 BPN-04	DIGITUS [®] 4U blank panel, color grey (RAL 7035)
DN-19 BPN-05	DIGITUS [®] 5U blank panel, color grey (RAL 7035)
DN-19 BPN-06	DIGITUS [®] 6U blank panel, color grey (RAL 7035)
DN-19 BPN-01-SW	DIGITUS [®] 1U blank panel, color black (RAL 9005)
DN-19 BPN-02-SW	DIGITUS [®] 2U blank panel, color black (RAL 9005)
DN-19 BPN-03-SW	DIGITUS [®] 3U blank panel, color black (RAL 9005)
DN-19 BPN-04-SW	DIGITUS [®] 4U blank panel, color black (RAL 9005)
DN-19 BPN-05-SW	DIGITUS [®] 5U blank panel, color black (RAL 9005)
DN-19 BPN-06-SW	DIGITUS [®] 6U blank panel, color black (RAL 9005)
DN-19 SET	Screw set, M6, 50xM6 screws, 50xM6 cage nuts, 50xM6 washers, black, length 17 mm
DN-19 SET-S	Screw set, M6, 50xM6 screws, 50xM6 cage nuts, 50xM6 washers, silver, length 17 mm
DN-19 BGL	Connection kit for DIGITUS [®] cabinets, 46x130x23 mm
DN-19 BGL-1	Connection kit for DIGITUS [®] Unique & Dynamic Basic cabinets, 46x130x23 mm
DN-19 BGL-SRV	Connection kit for DIGITUS [®] server cabinets
DN-19 PHS	Profile half cylinder key for DIGITUS [®] network cabinets
DN-19 PHS-SRV	Profile half cylinder key for DIGITUS [®] server cabinets
DN-19 KEY-801	Key for wall mounting cabinets, Key-No.: 801
DN-19 KEY-9081	Key for swing handle lock for Unique Server- and Network cabinets, Key-No.: 9081
DN-19 KEY-9473	Key for Network-, Server- and Wall mounting cabinets, Key-No.: 9473
DN-19 KEY-EK333	Key for DN-19 PHS, Data Center, Key-No.: EK333
DN-19 LIGHT-3	DIGITUS [®] LED Lighting Fixture, with switch for automatic door- or waving mode, (sensor), incl. power adapter
DN-19 FAN	Fan for DIGITUS [®] fan units, 138m ³ air circ./h, Noise Level: 47 dB/m

Technical Drawings

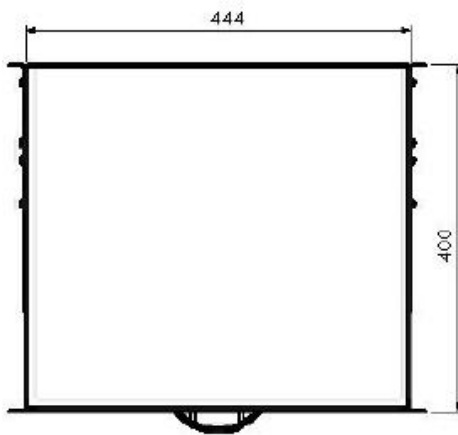
DN-19 KEY-1U & DN-19 KEY-1U-SW



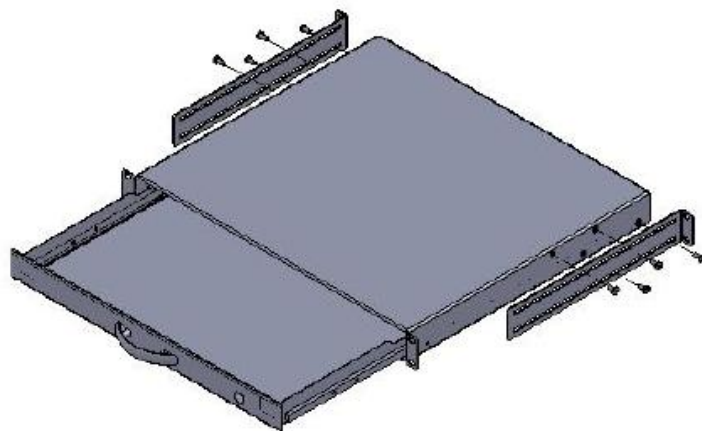
Front View



Side View

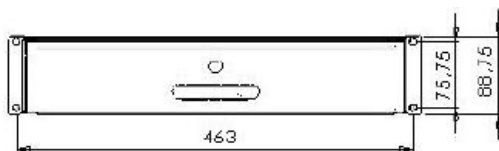


Top View

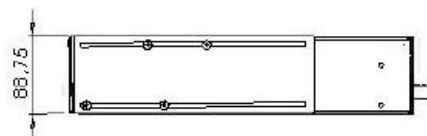


Isometric View

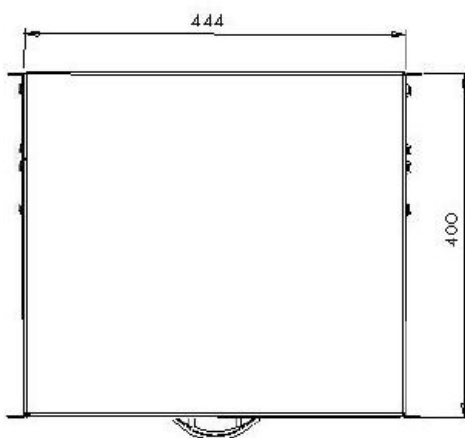
DN-19 KEY-2U & DN-19 KEY-2U-SW



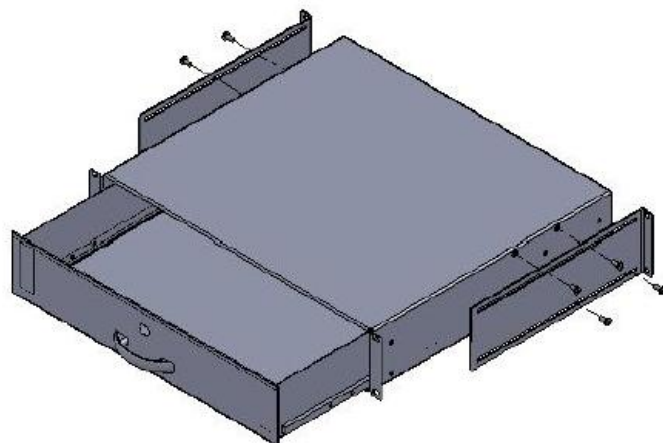
Front View



Side View

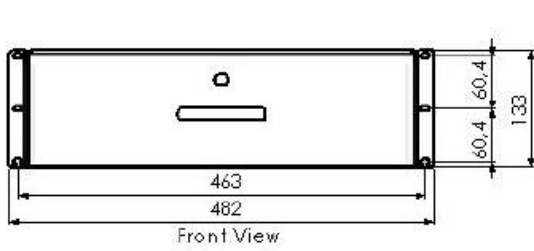


Top View

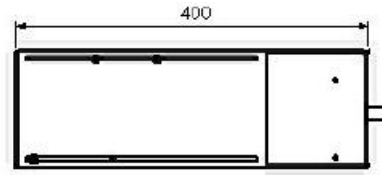


Exploded View

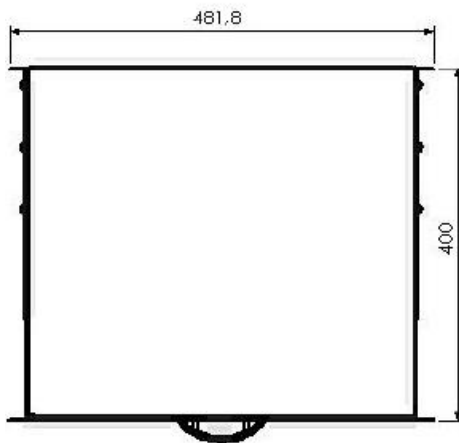
DN-19 KEY-3U & DN-19 KEY-3U-SW



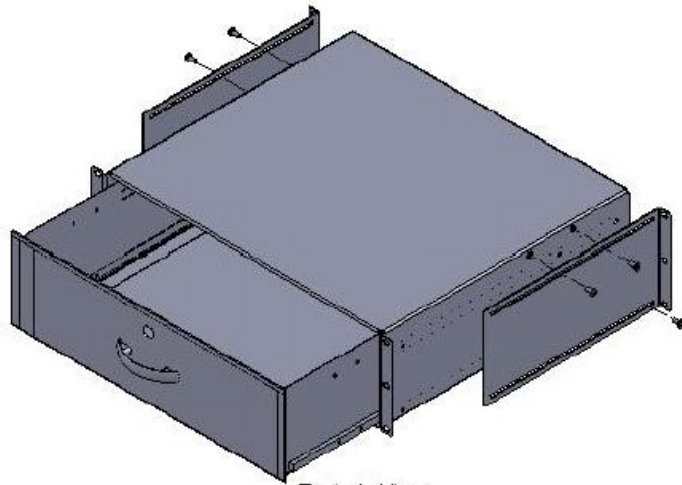
Front View



Side View



Top View



Explode View