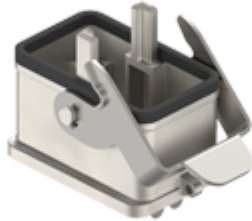


Part number

CXA 01 I



Bulkhead mounting housing, MIXO ONE series, with 1 lever, 1 module, with PE connection terminal and contact

Product description

Product type	Bulkhead mounting housing
Series	MIXO ONE
Closing type	With 1 lever
Size	1 module
Cable entry	Without cable entry
Specification	With PE connection terminal and contact

Technical data

IP degree of protection IP65

Further technical details

Mating cycles	≥ 500
Weight	45,00 g
Operating temperature range (min, max)	-40°C...+125°C
Tightening torque for PE connection	1,2 Nm

Material properties

Main material	Aluminium die-cast
Other materials	Lever: Stainless steel Gasket: NBR
RoHs conformity	Compliant
China RoHs - EFUP	E
REACH SVHC substances	No

Approvals / Standards

Certifications	DNV
UL	ECBT2
cUL	ECBT8

General ordering information

EAN13 code	8015747263535
eCl@ss 8.1	27440202
ETIM 7.0	EC000437

Packaging Information

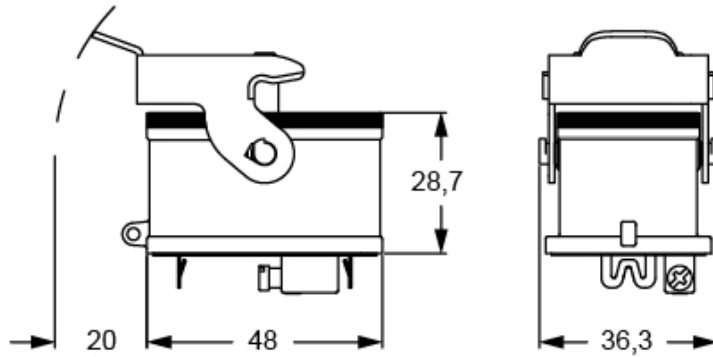
Packaging length	180,00 mm
Packaging height	120,00 mm
Packaging width	155,00 mm
Packaging weight	0,59 kg
Packaging volume	3,35 dm ³
Packaging description	Carton box
Packaging quantity	10 Pcs
Packaging EAN code	8015747269292
Sub-packaging weight	0,06 kg
Sub-packaging description	Plastic bag
Sub-packaging quantity	1 Pcs
Sub-packaging EAN barcode	8015747269308

Part number

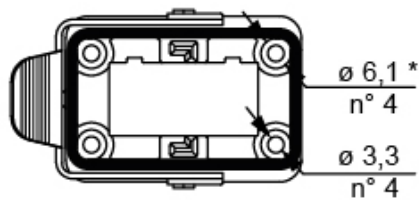
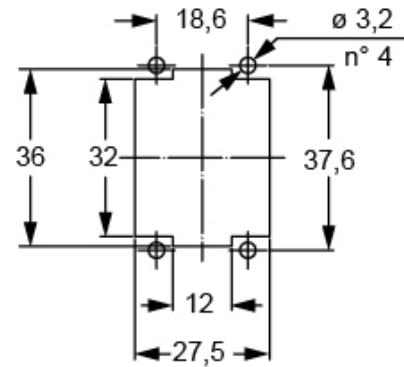
CXA 01 I



Catalogue drawings



Catalogue drawings



Notes

Dimensions shown in mm are not binding and may be changed without notice.