

# Thermal Inlet Duct for the Cisco<sup>^</sup> MDS 9506 Multilayer Director Switch For Net-Access<sup>™</sup> N-Type Cabinets



## SPECIFICATION SHEET

### specifications

The thermal inlet duct shall be designed to be compatible with the Cisco<sup>^</sup> MDS 9506 Multilayer Director Switch using Computational Fluid Dynamics (CFD) modeling and verified via operational testing. The duct system shall occupy 13 RU consisting of 6 RU of ducting and 7 RU required for the Cisco<sup>^</sup> 9506 Switch. The modular duct shall be capable of being installed in a retro-fit application without disrupting existing in-cabinet equipment and cabling.



### technical information

**Dimensions:** 29.6 "L x 20.9"W x 22.8"H (752mm x 533mm x 578mm)

### key features and benefits

<b>Passive airflow</b>	No additional moving parts or power required for a more reliable, efficient, economical and environmentally friendly system
<b>Certified performance</b>	Designed and validated thermal performance by Panduit
<b>Physical separation between inlet and exhaust airflow</b>	Segregates inlet and exhaust airflow preventing hot air recirculation reducing inlet temperatures
<b>Inlet duct design</b>	Ensures the cabinet is containment ready for vertical exhaust ducting (VED) and Cold Aisle Containment
<b>Maximized space utilization</b>	Allows the switch to be deployed in a 800mm wide Panduit cabinet without sacrificing thermal performance
<b>Energy efficiency</b>	Provides cool air to the switch resulting in lower fan speed reducing fan power consumption
<b>Day one or two installation</b>	Eliminates the requirement to replace or disturb existing cabinets, equipment and infrastructure for lower capital expenditures and minimized risk
<b>Easy access</b>	Allows access to the power supplies and fan modules minimizing network downtime
<b>Integral bonding to cabinet</b>	Cabinets and accessories are single-point bonded, providing a safe and reliable network, while reducing installation costs

### applications

The Cisco<sup>^</sup> MDS 9506 Multilayer Director is a director-class SAN switch designed for deployment in storage networks that can support enterprise clouds and business transformation. Panduit has developed a comprehensive physical infrastructure solution for the 9506 switch platform.

By providing a path for cool air to the switch, data center temperature set points can be raised, resulting in higher energy efficiencies and lower operating costs.

<sup>^</sup>Cisco is a registered trademark of Cisco Technology, Inc.

#### Inlet Duct for End of Row (EoR) Switching Applications

**Inlet duct:** CNLTD72A3

#### Net-Access<sup>™</sup> N-Type Cabinets for Use in Hot Aisle/Cold Aisle Applications\*

800mm W x 42 RU x 1070mm D:	N821* <sup>^</sup>
800mm W x 42 RU x 1200mm D:	N822* <sup>^</sup>
800mm W x 45 RU x 1070mm D:	N851* <sup>^</sup>
800mm W x 45 RU x 1200mm D:	N852* <sup>^</sup>
800mm W x 48 RU x 1070mm D:	N881* <sup>^</sup>
800mm W x 48 RU x 1200mm D:	N882* <sup>^</sup>

#### Net-Access<sup>™</sup> N-Type Cabinet Accessories

**Net-Access N-Type Vertical Blanking Panels with pass-through holes for cabinets 42 RU through 48 RU:** NVBP

#### Net-Access<sup>™</sup> N-Type Cabinets for Use with Vertical Exhaust Ducting

800mm x 45 RU x 1200mm 45 RU, front dual hinge door, rear solid split doors, cage nut rails, vertical blanking panels, cable management vertical exhaust duct ready:	N8529* <sup>^</sup> Y
45 RU, front dual hinge door, rear solid split doors, (1) side panel, cage nut rails, vertical blanking panels, cable management vertical exhaust duct ready:	N8521* <sup>^</sup> Y
45 RU, front dual hinge door, rear solid split doors, 12-24 tapped rails, vertical blanking panels, cable management vertical exhaust duct ready:	N8229* <sup>^</sup> N
45 RU, front dual hinge door, rear solid split doors, (1) side panel, 12-24 tapped rails, vertical blanking panels, cable management vertical exhaust duct ready:	N8221* <sup>^</sup> N

#### Vertical Exhaust Ducting for 800mm W Net-Access<sup>™</sup> N-Type Cabinets

16" up to 26"H:	C2VED0811626* <sup>^</sup>
26" up to 38"H:	C2VED0812638* <sup>^</sup>
38" up to 66"H:	C2VED0813866* <sup>^</sup>

#### Net-Access<sup>™</sup> N-Type Cabinets for Use in Cold Aisle Containment Applications

800mm W x 42 RU x 1070mm D:	N821* <sup>^</sup> U
800mm W x 42 RU x 1200mm D:	N822* <sup>^</sup> M
800mm W x 45 RU x 1070mm D:	N851* <sup>^</sup> U
800mm W x 45 RU x 1200mm D:	N852* <sup>^</sup> U

#### Net-Contain<sup>™</sup> Sliding Door Low Profile Cold Aisle Containment System

<b>Integral low profile ceiling structures Net-Access<sup>™</sup> 800mm Cabinets</b>	
4' (1200mm) aisle width:	C2CAC08F04IR* <sup>^</sup> 1
6' (1800mm) aisle width:	C2CAC08F06IR* <sup>^</sup> 1
<b>End of row dual sliding doors</b>	
6" (1800mm) aisle width:	C2CACT5F06SD* <sup>^</sup> 1
4" (1200mm) aisle width:	C2CACT5F04SD* <sup>^</sup> 1
<b>Wall panel (800mm):</b>	C2CAC08F08WP* <sup>^</sup> 1

\*Indicates Net-Access<sup>™</sup> N-Type Cabinet Standard Side Panel (screw on).  
 Replace \* with: 1 = 1 side panel, 2 = 2 side panels, or 9 = no side panels.  
<sup>^</sup>Indicates optional colors.  
 Replace <sup>^</sup> with: B = Black or W = White.

# Thermal Inlet Duct for the Cisco<sup>^</sup> MDS 9506 Multilayer Director Switch For Net-Access<sup>™</sup> N-Type Cabinets

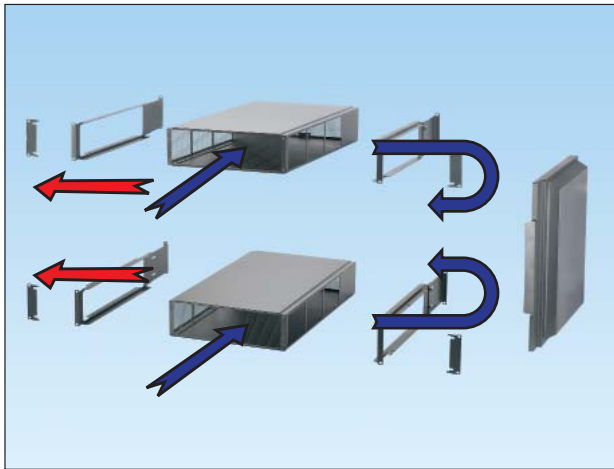


Figure 1. Switch application

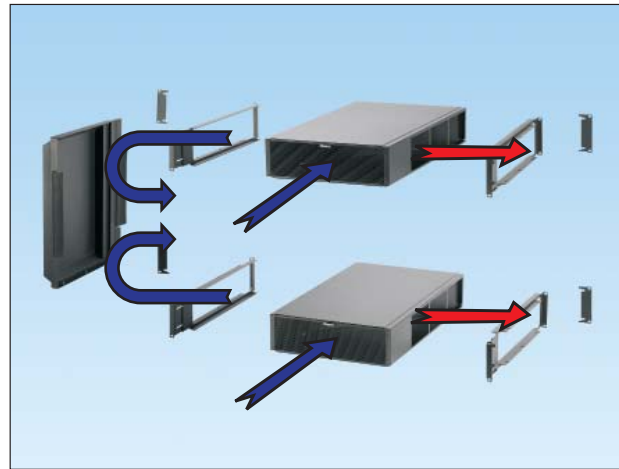
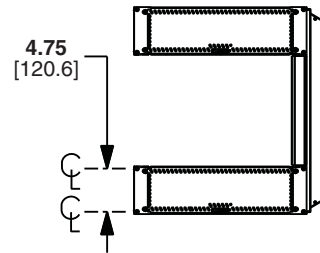
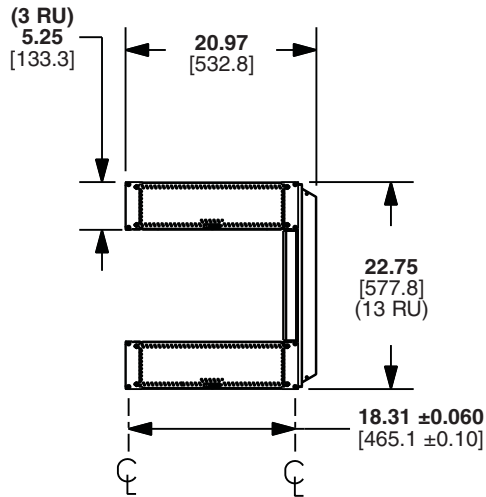
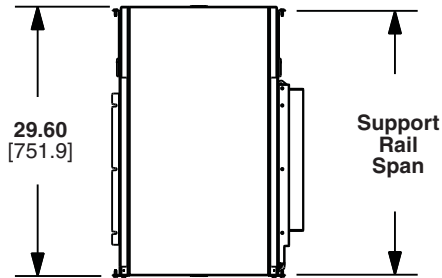


Figure 2. Server application



Dimensions are in inches. [Dimensions in brackets are metric].

## WORLDWIDE SUBSIDIARIES AND SALES OFFICES

PANDUIT CANADA  
Markham, Ontario  
cs-cdn@panduit.com  
Phone: 800.777.3300

PANDUIT EUROPE LTD.  
London, UK  
cs-emea@panduit.com  
Phone: 44.20.8601.7200

PANDUIT SINGAPORE PTE. LTD.  
Republic of Singapore  
cs-ap@panduit.com  
Phone: 65.6305.7575

PANDUIT JAPAN  
Tokyo, Japan  
cs-japan@panduit.com  
Phone: 81.3.6863.6000

PANDUIT LATIN AMERICA  
Guadalajara, Mexico  
cs-la@panduit.com  
Phone: 52.33.3777.6000

PANDUIT AUSTRALIA PTY. LTD.  
Victoria, Australia  
cs-aus@panduit.com  
Phone: 61.3.9794.9020

For a copy of Panduit product warranties, log on to [www.panduit.com/warranty](http://www.panduit.com/warranty)

For more information

Visit us at [www.panduit.com](http://www.panduit.com)

Contact Customer Service by email: [cs@panduit.com](mailto:cs@panduit.com)  
or by phone: 800.777.3300 and reference RKSP104

**PANDUIT**<sup>®</sup>

©2012 Panduit Corp.  
ALL RIGHTS RESERVED.  
RKSP104--WW-ENG  
10/2012