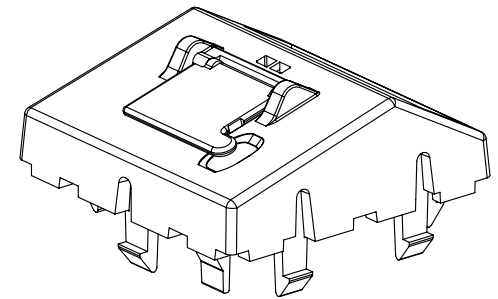
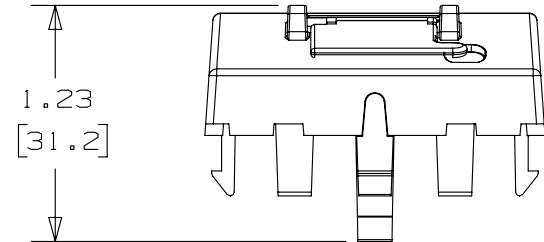
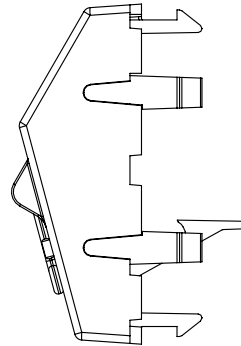
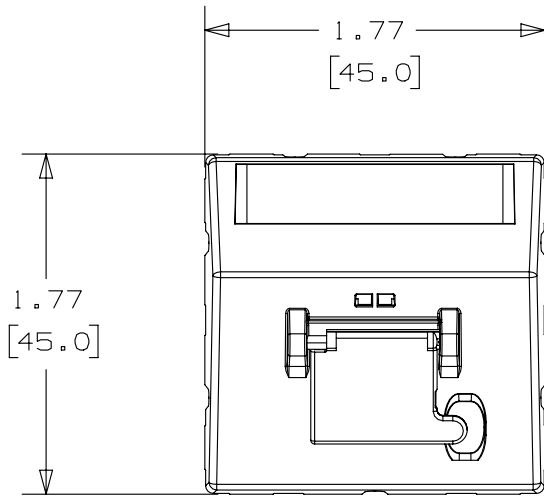


THIS COPY IS PROVIDED ON A RESTRICTED BASIS AND IS NOT TO BE USED IN ANY WAY DETRIMENTAL TO THE INTERESTS OF PANDUIT CORP.



PANDUIT P/N	WEIGHT
CFPFLS1S**	.19LB /10 PCS (87.1g /10 PCS)

NOTES:

1. SEE CURRENT CATALOG FOR ADDITIONAL PART NUMBER SUFFIXES TO INDICATE COLOR AND/OR PACKAGE QUANTITY.
2. SEE CATALOG FOR COMPLETE LIST OF PARTS APPLICABLE FOR USE WITH THIS PART.
3. DIMENSIONS IN [] ARE IN METRIC.
4. PART INCLUDES:
1- SHUTTERED ADAPTER
1- LABEL
1- LABEL COVER

PART NUMBER		CFPFLS1S**	
TITLE			
MINI-COM 1 POSITION 45 X 45mm SLOPED SHUTTERED FRENCH ADAPTER WITH LABEL AND ICON SLOTS			
CUSTOMER DRAWING			
ITEM REVISION NAME		M02615AB/03	
DATASET FILE NAME		M02615AB_DC/03B	
UNLESS OTHERWISE SPECIFIED, DIMENSIONAL TOLERANCES ARE: IN [mm]		MATERIAL:	
.x ± .xxx ± .010 [.3]		ABS	
.xx ± .03 [.8]		DRAWING NUMBER:	
ANGLES ±		02615-06	
THIRD ANGLE PROJECTION		SHT 1 OF 1	
DRAWN BY	DATE	CHK	SCALE
JSP	4-30-07	JSP	NONE
REV	DATE	BY	CHK
2	4/3/14	JSP	REFR
1	7-16-07	JSP	TCK
R	4-30-07	JSP	TCK
DESCRIPTION		ECN	
B. REVISED DRAWING TITLE BLOCK.		02615-06	
A. REVISED ADAPTER, ADDED SMALL SLOT RELIEFS ON BOTTOM OF PART.		02615-06	
RELEASED TO PRODUCTION		02615-06	

D10100DA/14

2

1

2

1