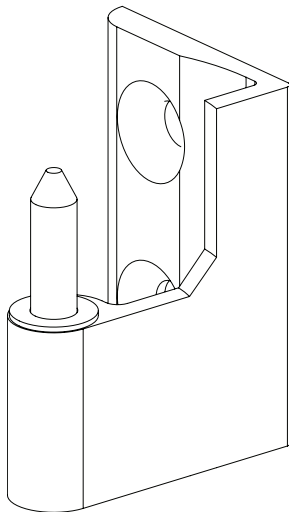


Tool List:

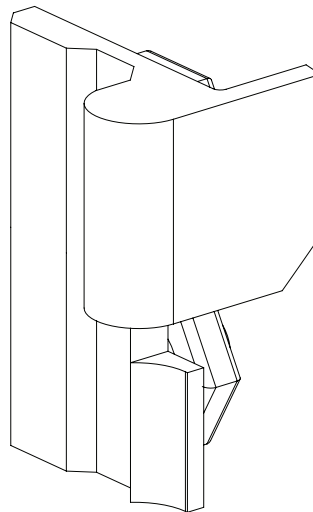


- T25 Torx

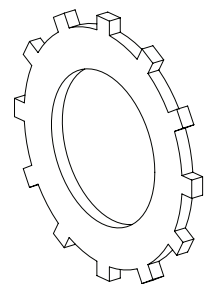
Components Included:



RH Door Hinge
qty. 2



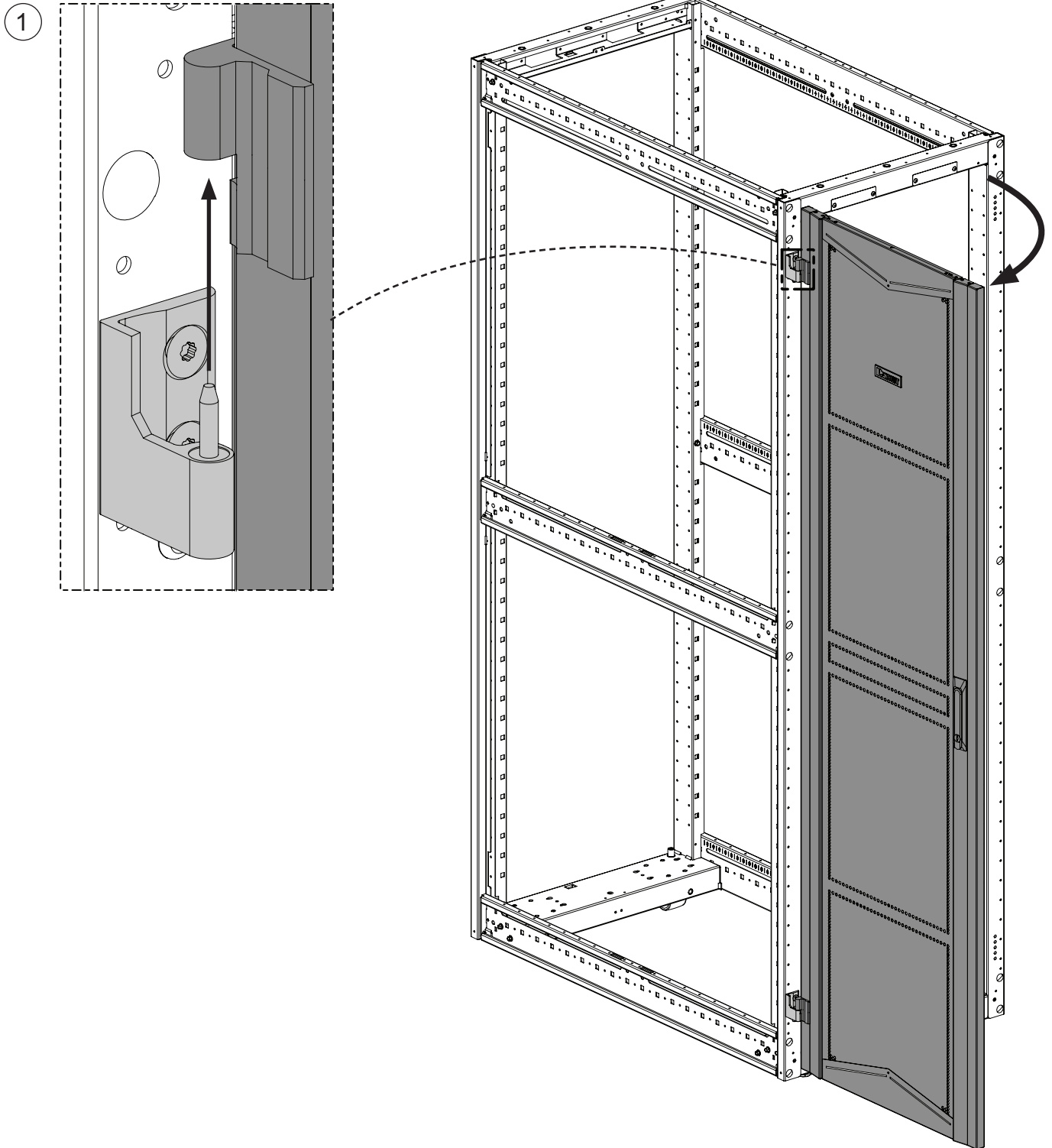
RH Door Hinge
qty. 2



M10 External tooth lock washer
qty. 4

Single Hinge Door Removal

- Position Door at approximately 90° to cabinet and lift up to remove Door.

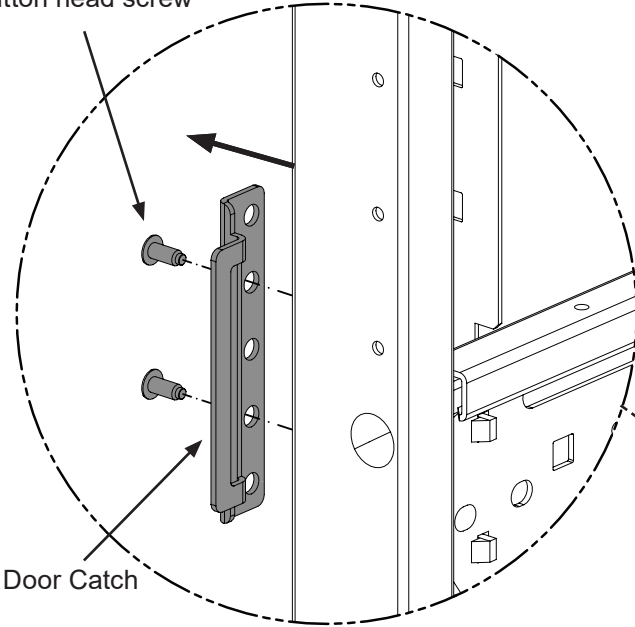


Remove Hinges & Door Catch from Frame

- Remove (2) Hinges and (4) M6 screws from cabinet frame.
- Remove Door catch using (2) M5 x 0.8 x 12mm button head screws.

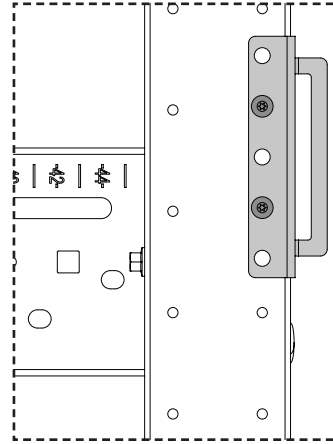
NOTE: Door Catch will be assembled on left side of cabinet at the same location it was on the right side. See images below.

(2) M5x0.8 x 12mm
button head screw

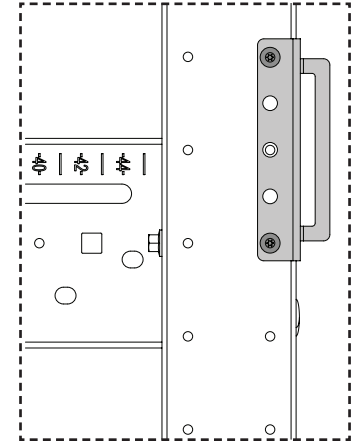


Door Catch

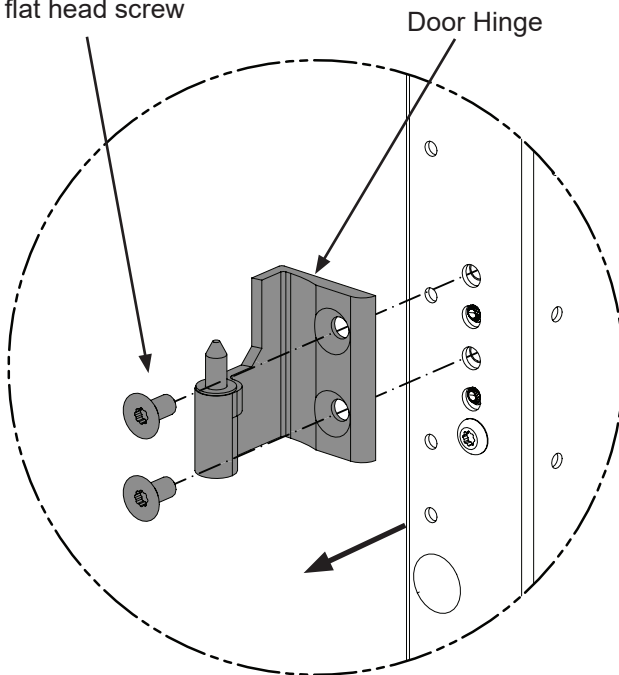
Door Catch & screw locations
for 42RU & 48RU



Door Catch & screw locations
for 45RU & 51RU

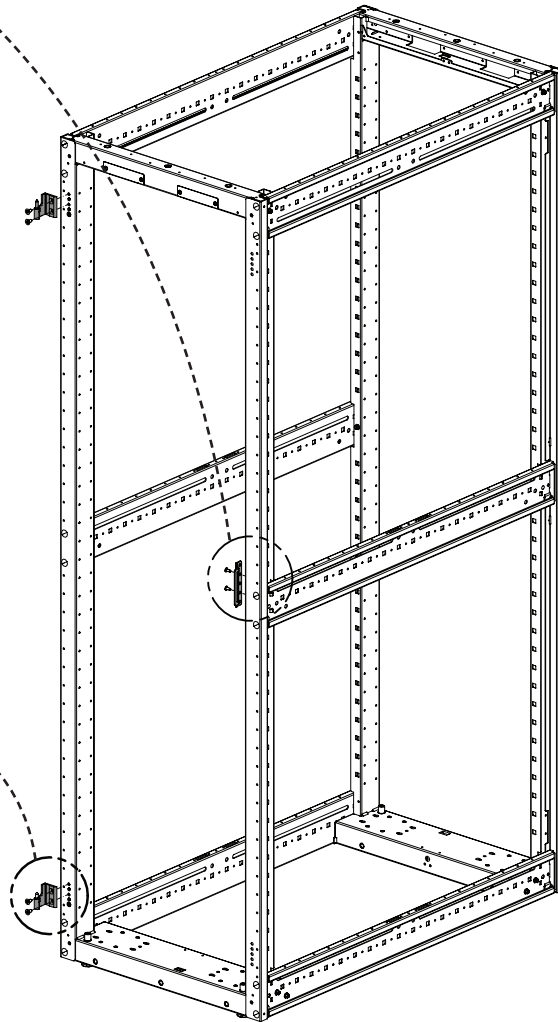


(2) M6x1 x 12mm
flat head screw



Door Hinge

Left side of front of cabinet
(1) top Hinge & (1) bottom Hinge

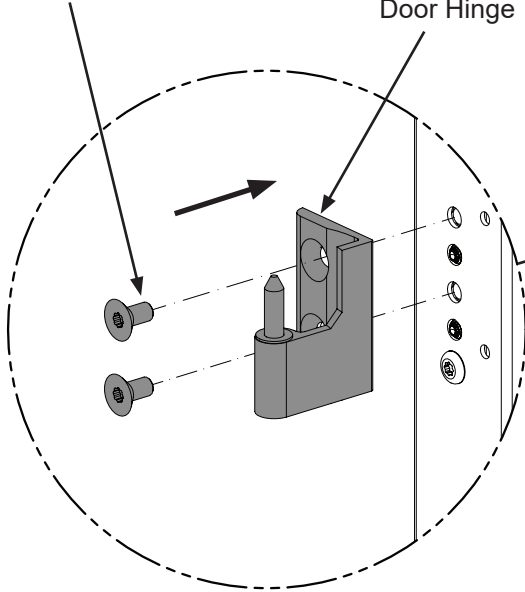


Install RH Hinges & Door Catch to Frame

- Install (2) Hinges with (2) M6 screws to the cabinet frame. Secure to the 1st & 3rd holes from the top of hole array as shown.
- Position Door Catch to inner left side of cabinet vertical frame. Mounting locations vary depending on cabinet height, should be in the same location of previous right hand side.
- Install Door catch using (2) M5 x 0.8 x 12mm button head screws.

(2) M6x1 x 12mm
flat head screw

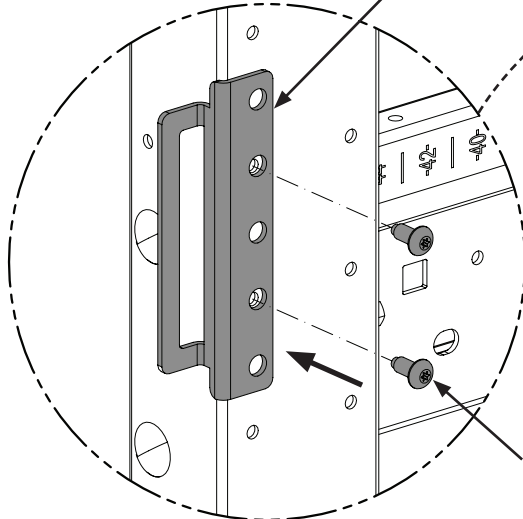
Door Hinge



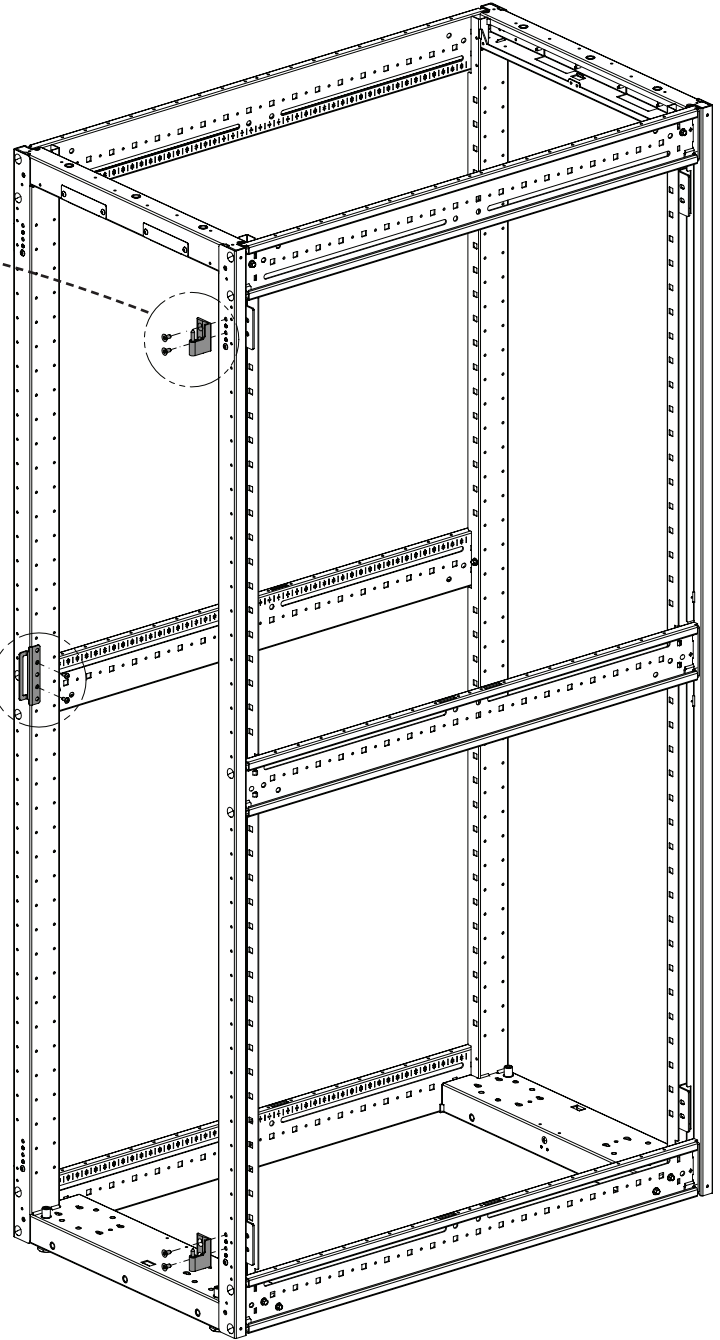
Right side of front of cabinet
(1) top Hinge & (1) bottom Hinge

Door Catch

(2) M5x0.8 x 12mm
button head screw

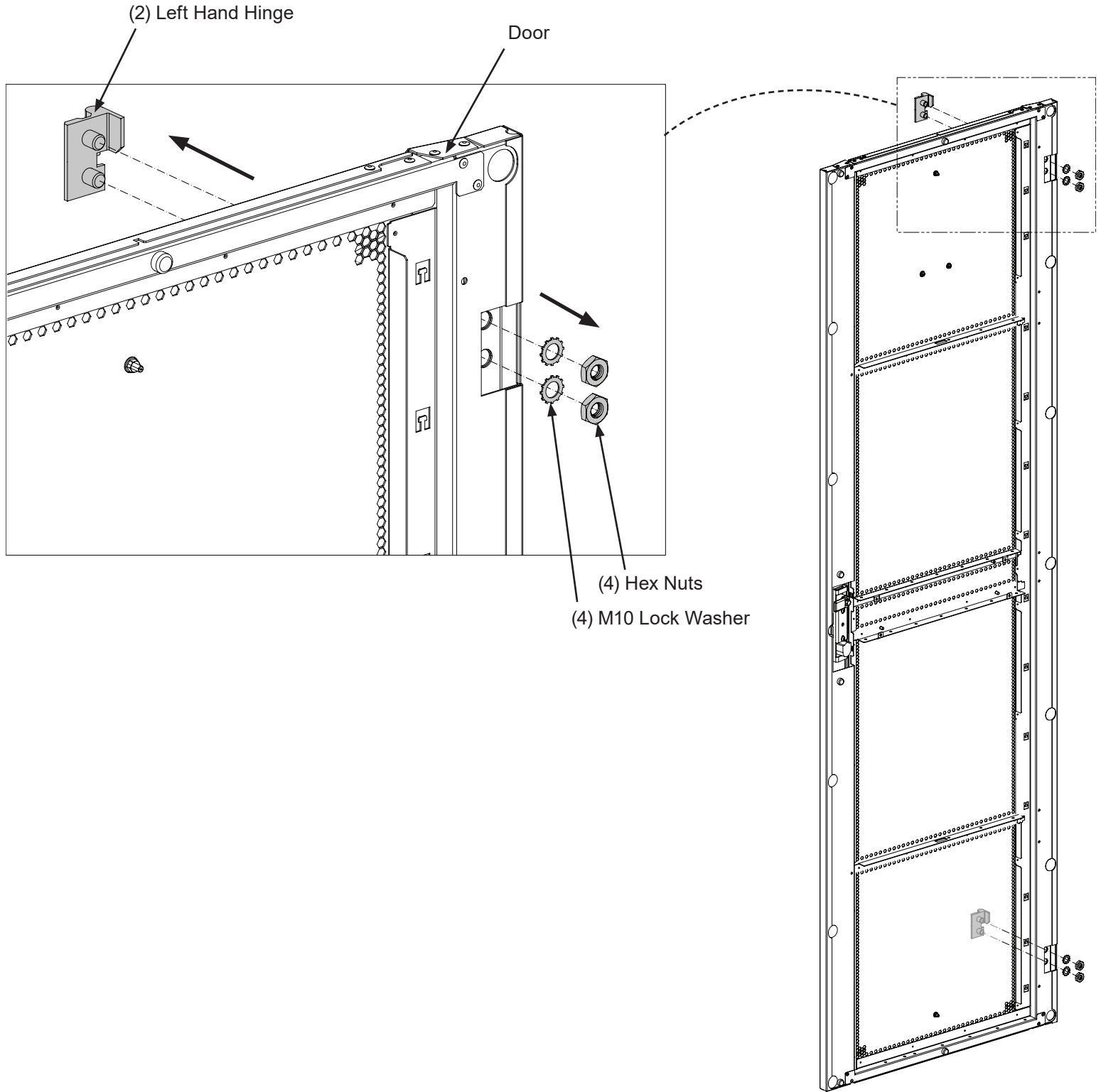


Left side of front of cabinet
Align Catch to the Door Cam



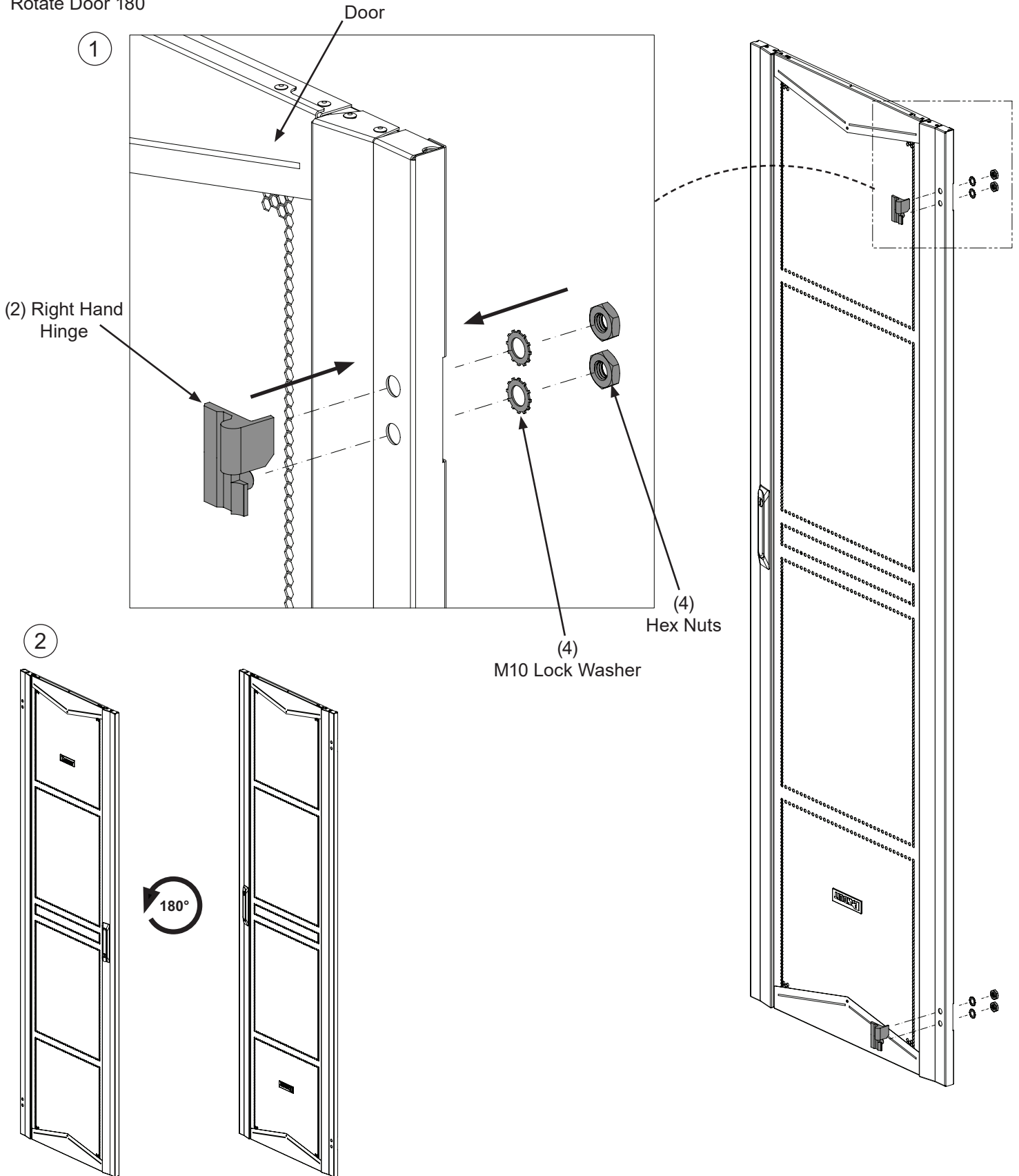
Remove LH Hinges From Door

- Remove (2) LH Hinges (4) M10 Lock Washers and (4) Hex Nuts from Door
- Save Hardware for future use in Installation



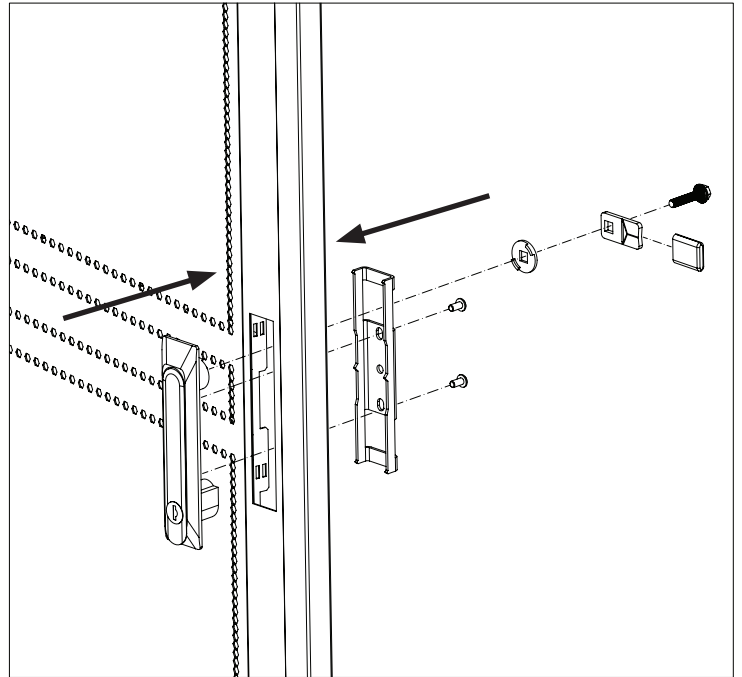
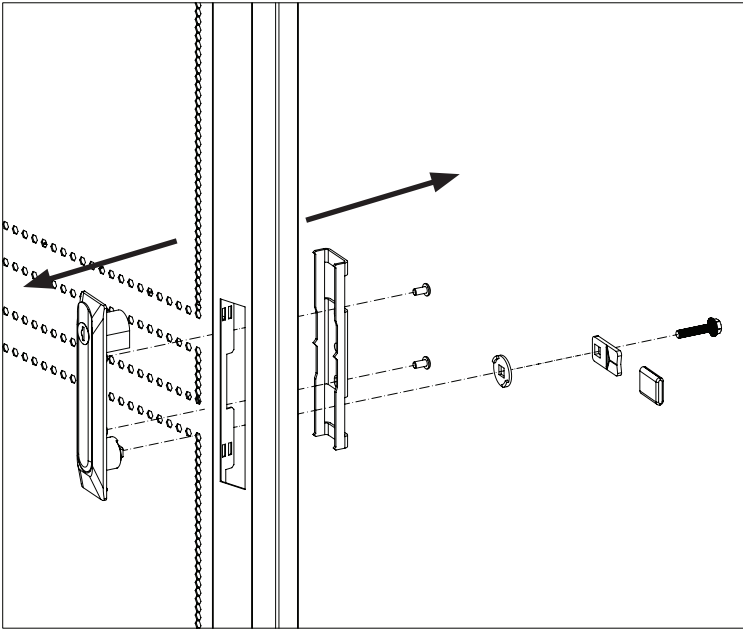
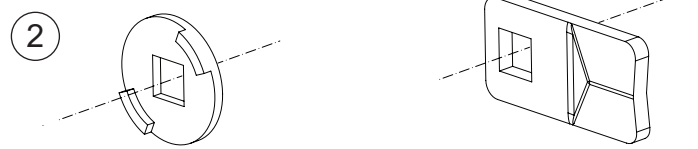
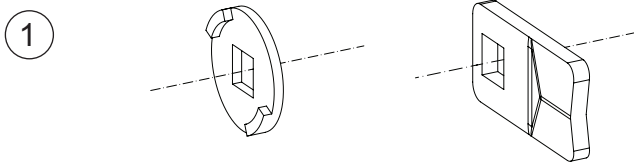
Install Right Hand Hinges on Door

- Install (2) Hinges with (4) lock washers and (4) Hex Nuts on the top and bottom
- Rotate Door 180°

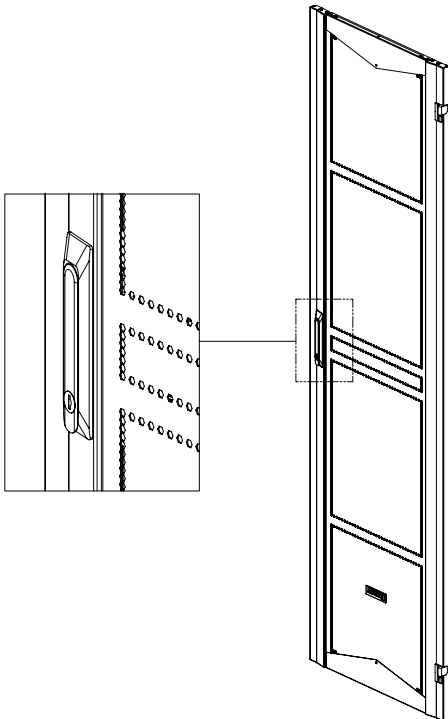


Rotate Door Handle 180°

- Un-install existing door handle
- Install rotated door handle

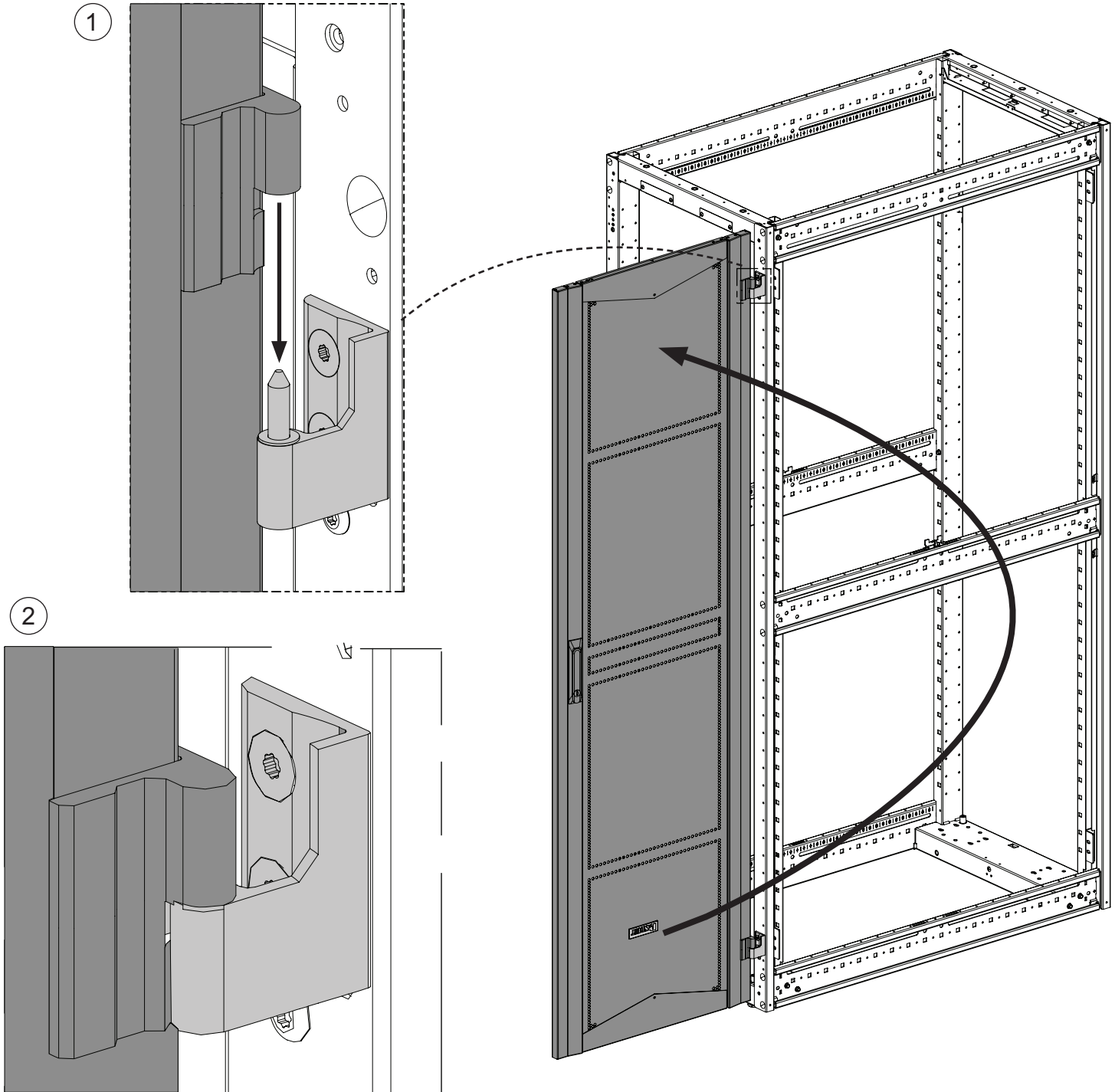


ASSEMBLED VIEW



Single Hinge Door Installation

- Rotate door 180° before placing on cabinet as shown below
- Position Door at approximately 90° to cabinet.
- Place Door onto hinges, aligning top hinge pin first.
- Relocate Logo to Top of Door



For Instructions in Local Languages
and Technical Support:

www.panduit.com/resources/install_maintain.asp

PANDUIT
www.panduit.com

E-mail:
techsupport@panduit.com

Phone:
866-405-6654