



Illuminated disk  
for mushroom  
head  
pushbuttons -  
ISO13850  
SYMBOL  
LPXDAU

Product designation

Product type designation

General characteristics

Colour Yellow

Electrical characteristics

Supply voltage (AC) V 24

Supply voltage (DC) V 24

Mechanical features

Operating position allowable Any

Weight g 22

Ambient conditions

Temperature

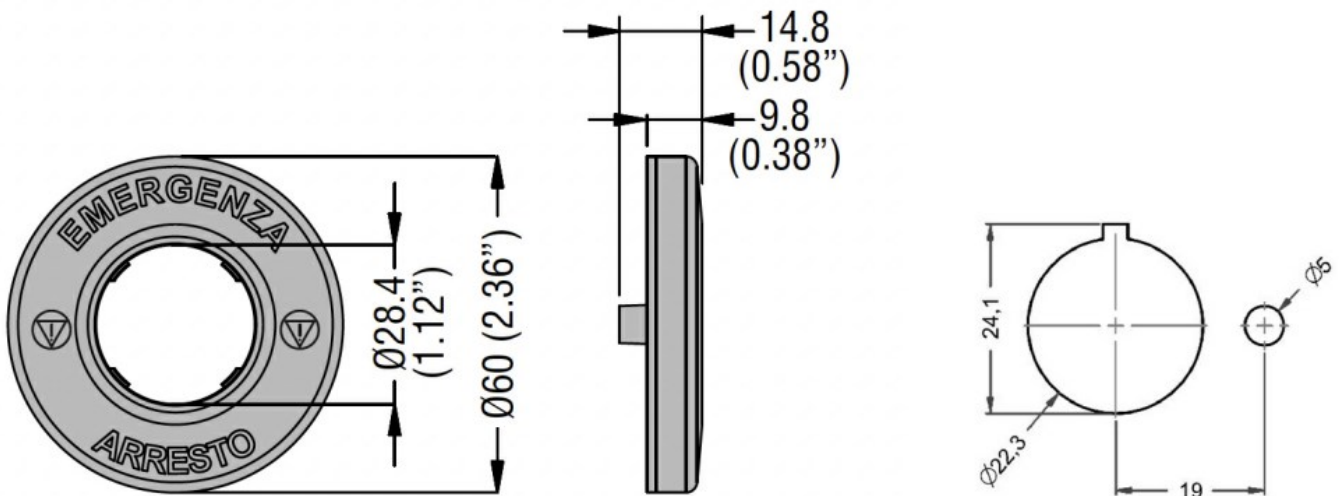
Operating temperature

min °C -25  
max °C +60

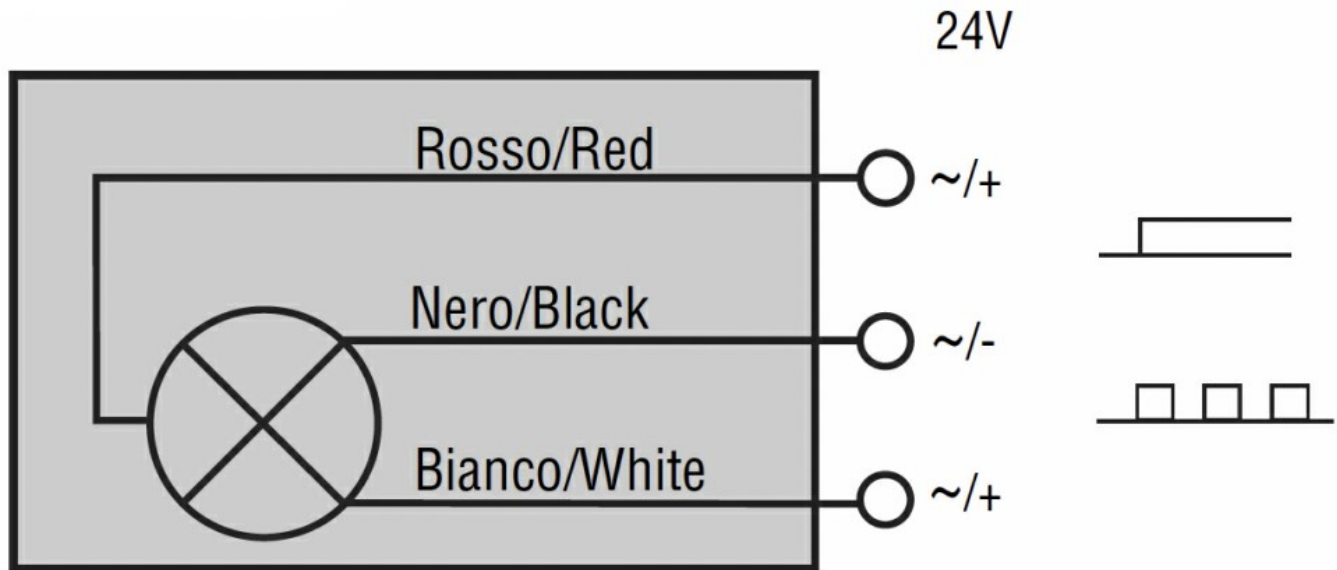
Storage temperature

min °C -40  
max °C +85

Dimensions



Wiring diagrams



**Certifications and compliance**

Compliance

CSA C22.2 n° 14

IEC/EN 60947-1

IEC/EN 60947-5-1

UL508

Certificates

cULus

EAC