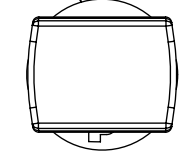
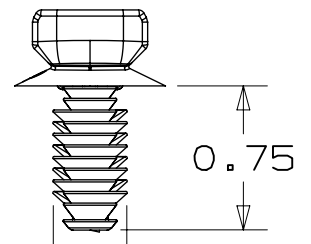
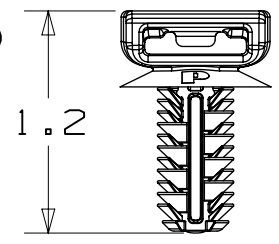


PANDUIT PART NUMBER	CABLE TIE		DIMENSIONS			MATERIAL	WEIGHT lbs. grams/100 pcs
	MIN. TENSILE	MAX. BUNDLE DIA.	A	B	C		
PUME925-3E-*350	120	3.25 (82.6)	0.398 (10.1)	12.1 (307)	0.50 (12.7)	IMPACT MODIFIED HEAT STABILIZED WEATHER RESITANT NYLON 6/6 BLACK	1.93 LBS. (875.4)
PUME925-4E-*350	120	4.13 (105.0)	0.398 (10.1)	15.1 (384)	0.50 (12.7)		2.24 LBS. (1016)

0.8 ϕ
(30.0)
(REF.)



PUME925-350

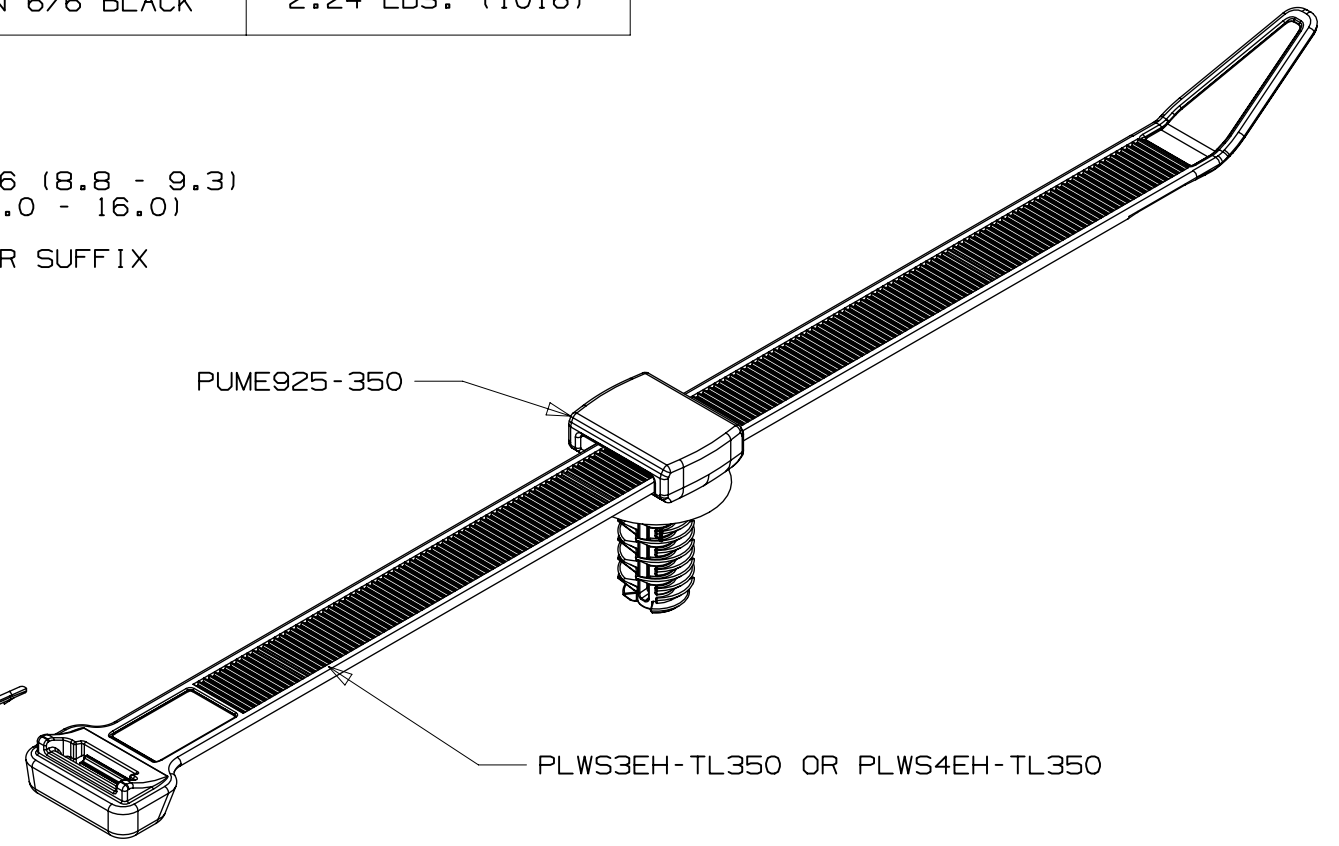


"A"
(REF.)

NOTES:

- APPLICATION SPECIFICATION:
 PANEL HOLE DIAMETER RANGE: 0.34 - 0.36 (8.8 - 9.3)
 PANEL THICKNESS RANGE: 0.04 - 0.62 (1.0 - 16.0)
- (*) SEE WWW.PANDUIT.COM FOR PART NUMBER SUFFIX DESIGNATION FOR PACKAGE SIZE.

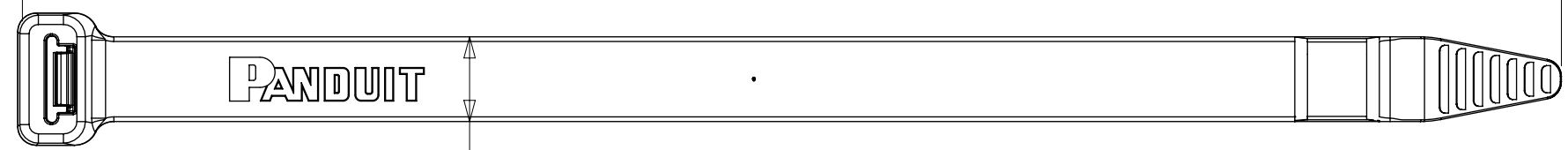
PUME925-350



PLWS3EH-TL350 OR PLWS4EH-TL350

PLWS3EH-*350 OR PLWS4EH-*350

"B"
(REF.)



"C"

REV	DATE	BY	CHK	APR	DESCRIPTION	ECN
00	9/25/19	BWG	DJSL	JADE	DRAWING RELEASED.	041377/00

TITLE HEAVY DUTY FIR TREE PUSH MOUNT WITH 12" OR 15" WIDE STRAP CABLE TIE ASSEMBLY		PANDUIT
CUSTOMER DRAWING		
ITEM REVISION NAME 00076SAC/00	MATERIAL: SEE TABLE	
DATASET FILE NAME 00076SAC_DC/00		
UNLESS OTHERWISE SPECIFIED, DIMENSIONAL TOLERANCES ARE: IN [mm]		DRAWING NUMBER: 00076SAC_DC
.X ± .XX ± .02 [.05]	.XXX ± ANGLES ±	
THIRD ANGLE PROJECTION	DRAWN BY: BWG DATE: 9/25/19 CHK: DJSL SCALE: FULL	
SHT 1 OF 1		SIZE: B

D10100DB/17