

Part number

# CRS 42



Cable clamp, Pg42, for diameter 38 mm, with gasket and washers

Product description		Material properties	
<b>Product type</b>	Cable clamp	<b>Main material</b>	Aluminium
<b>Cable entry</b>	Pg42	<b>Other materials</b>	Washers: zinc-plated steel Gasket: rubber
<b>Specification</b>	For diameter 38 mm With gasket and washers	<b>General ordering information</b>	
<b>Technical data</b>		<b>EAN13 code</b>	8015747039444
<b>IP degree of protection</b>	IP65	<b>Packaging Information</b>	
<b>Further technical details</b>		<b>Packaging length</b>	220,00 mm
<b>Weight</b>	238,00 g	<b>Packaging height</b>	130,00 mm
<b>Operating temperature range (min, max)</b>	-40°C...+125°C	<b>Packaging width</b>	240,00 mm
		<b>Packaging weight</b>	2,38 kg
		<b>Packaging volume</b>	6,86 dm <sup>3</sup>
		<b>Packaging description</b>	Carton box
		<b>Packaging quantity</b>	10 Pcs
		<b>Packaging EAN code</b>	8015747204194
		<b>Sub-packaging weight</b>	0,24 kg
		<b>Sub-packaging description</b>	Plastic bag
		<b>Sub-packaging quantity</b>	1 Pcs
		<b>Sub-packaging EAN barcode</b>	8015747204200

Part number

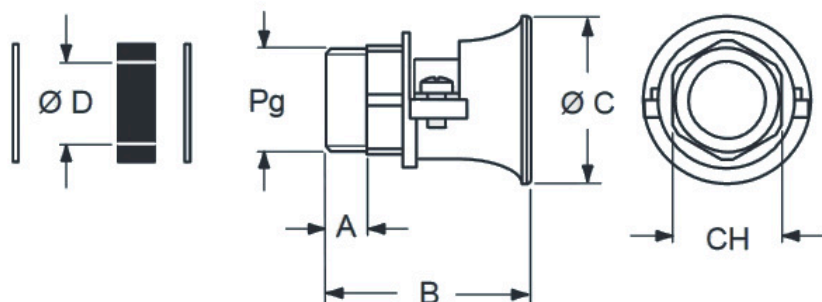
# CRS 42



Catalogue drawings

dimensions in mm

## CRS



CRS	A	B	$\varnothing C$	$\varnothing D$	CH
13,5	7	36	28	12	22
16	8,5	41	32	14	24
21	10	47	39	18	30
29	10,5	58	55	25	41
36	13	67,5	67	32	50
42	13	72,5	75	38	55

## Notes

Dimensions shown in mm are not binding and may be changed without notice.