

Part number

PB 16002 SM



Wall-mounting plug, PLUSO series, 2 poles, 16 A, 20 ÷ 25 V

Product description		Material properties	
Product type	Plug Wall-mounting	Colour	RAL 7035 grey, RAL 4001 lilac
Series	PB...SM, PLUSO	RoHs conformity	Compliant with exemption 6(c): copper alloy containing up to 4% lead by weight
N. of poles	2 poles	China RoHs - EFUP	50
Clock position	No key way	REACH SVHC substances	Yes Lead
Technical data		SCIP number	Ca7de37f-add8-4b77-9861-279c94903ade
Current	16 A	Approvals / Standards	
Voltage	20 ÷ 25 V	Reference standard	EN 60309-1 and -2
IP degree of protection	IP44	General ordering information	
Further technical details		EAN13 code	8015747060714
Weight	132,00 g	Packaging Information	
Operating temperature range (min, max)	-25°C ... +40°C	Packaging length	208,00 mm
		Packaging height	140,00 mm
		Packaging width	290,00 mm
		Packaging weight	1,55 kg
		Packaging volume	8,44 dm ³
		Packaging description	Carton box
		Packaging quantity	10 Pcs
		Packaging EAN code	8015747060721

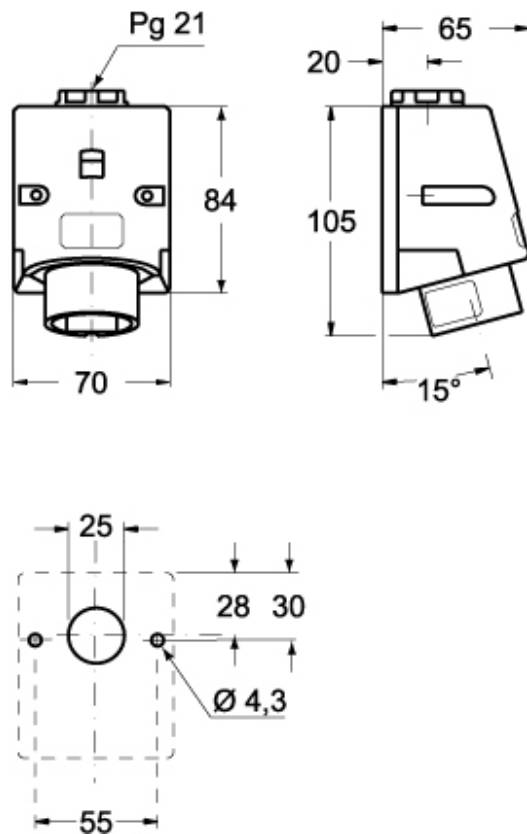
Part number

PB 16002 SM



Catalogue drawings

(16 / 32A) PB ... SM



Notes

Dimensions shown in mm are not binding and may be changed without notice.

- Compliant with EN 60309-1 and -2
- Enclosure and insert in insulating, thermoplastic and self-extinguishing material
- RAL 7035 grey enclosure
- Plug mouth colour coded according to the operating voltage and frequency
- Wall-mounting types PB...SM, top entry with threaded grommet (replaceable with cable gland)
- Coupler types PB...SV, cable anchoring collar incorporated in the collar, entry with grommet
- Terminals with retained screws
- Nickel-plated contacts on request
- IP44 degree of protection (EN 60529)