



| | | | |
|---|------------------------|------------------------|-------|
| Product designation | Adjustable rod lever | | |
| Product type designation | KBL | | |
| General characteristics | | | |
| Material | Housing | Polymer thermoplastic | |
| | Rod | Steel | |
| Contact characteristics | | | |
| Type of contact | 2NO Slow action | | |
| Thermal current I _{th} | A | 10 | |
| IEC/EN 60947-5-1 designation | A600 Q300 | | |
| Rated insulation voltage U _i | V | 690 | |
| Rated impulse withstand voltage U _{imp} | kV | 6 | |
| Insulation class | II | | |
| Short-circuit protection with fuse | Class/A | 10 gG/SC QUICK FUSE | |
| Switching speed | min | m/s | 0.5 |
| | max | m/s | 1.5 |
| IEC Conventional free air thermal current I _{th} | A | 10 | |
| Resistance per pole (average value) | mΩ | <10 | |
| Mechanical features | | | |
| Operating head fixing | Locking bayonet insert | | |
| Operating torque | Ncm | 3 | |
| | ozin | 4.25 | |
| Tightening torque (Max) | | | |
| Switch fixing | Nm | 2.5 | |
| | lbin | 22.1 | |
| Contact terminals | Nm | 0.8 | |
| | lbin | 7 | |
| Body lid screw fixing | Nm | 0.8 | |
| | lbin | 7 | |
| Conductor section | | | |
| AWG/Kcmil | min | 16 | |
| | max | 14 | |
| IEC | min | mm ² | 1or 2 |
| | max | mm ² | 2.5 |

| | |
|------------------|-------------------------------|
| Cable connection | Self-releasing screw terminal |
| Cable entry | M20 on the bottom |

Operations

| | | |
|----------------------|----------|-----------|
| Mechanical life | cycles | <10000000 |
| Mechanical operation | cycles/h | 3600 |

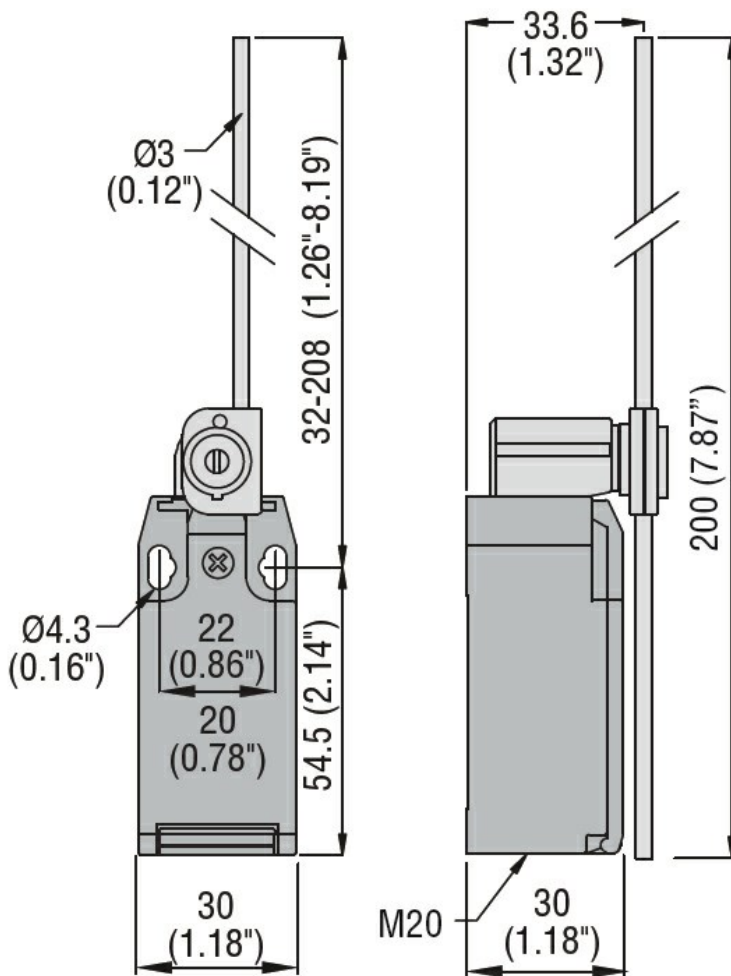
Ambient conditions

| | | | | |
|-------------|-----------------------|-----|----|-----|
| Temperature | Operating temperature | min | °C | -25 |
| | | max | °C | +70 |
| | Storage temperature | min | °C | -40 |
| | | max | °C | +70 |

Resistance & Protection

| | | |
|------------------|--------------|------|
| IP degree | Terminals | IP20 |
| | Body housing | IP65 |
| Pollution degree | | 3 |

Dimensions



Wiring diagrams

Slow action



2NO

Certifications and compliance

Compliance

CSA C22.2 n° 14

EN 50047

IEC/EN 60204-1

IEC/EN 60947-1

IEC/EN 60947-5-1

UL508

Certificates

CCC

cULus

EAC

ETIM classification

ETIM 8.0

EC000030 - End
switch