

Part number

CZI 15 L



Bulkhead mounting housing, IL-BRID series,
with 1 lever, size "49.16"

Product description

Product type	Bulkhead mounting housing
Series	IL-BRID
Closing type	With 1 lever
Size	Size "49.16"

Technical data

IP degree of protection	IP66
--------------------------------	------

Further technical details

Weight	70,00 g
Operating temperature range (min, max)	-40°C...+125°C

Material properties

Colour	RAL 7040 grey
RoHs conformity	Compliant
China RoHs - EFUP	E
REACH SVHC substances	No

Approvals / Standards

UL	ECBT2
cUL	ECBT8

General ordering information

EAN13 code	8015747044059
eCl@ss 8.1	27440202
ETIM 7.0	EC000437

Packaging Information

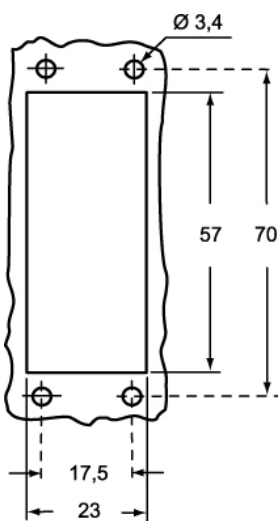
Packaging length	230,00 mm
Packaging height	160,00 mm
Packaging width	270,00 mm
Packaging weight	3,11 kg
Packaging volume	9,94 dm ³
Packaging description	Carton box
Packaging quantity	40 Pcs
Packaging EAN code	8015747127660
Sub-packaging weight	0,39 kg
Sub-packaging description	Plastic packaging
Sub-packaging quantity	5 Pcs
Sub-packaging EAN barcode	8015747127677

Part number

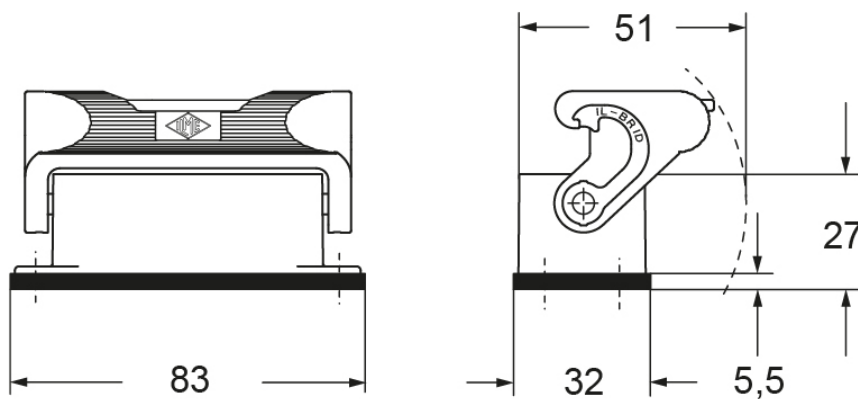
CZI 15 L



Catalogue drawings



Catalogue drawings



Notes

Dimensions shown in mm are not binding and may be changed without notice.