

# 2115-2116 Max. 16 W

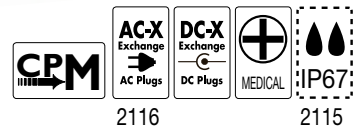
## Programmable chargers for NiMH/NiCd batteries

### 2116 - exchangeable AC-plugs

- Universal input voltage
- CPM-Computer Programmable Microprocessor offering:
  - Charge detection options (one or more):
    - dV, dT/dt, 0 dV, Timer
    - Safety timer, dV threshold, and Temperature gradient adjustment
- Exchangeable AC and DC plugs
- Custom specifications on request
- Order mains cord separately
- Approvals:
  - Medically certified
  - Safety: EN 60601-1 ed. 3
  - UL approved



For updates: see [www.mascot.no](http://www.mascot.no)



## TECHNICAL SPECIFICATIONS

### GENERAL INPUT/OUTPUT

<b>Input voltage:</b>	90-264 VAC, 50-60Hz
<b>Max. output power:</b>	16W
<b>Trickle charge current:</b>	30mA +/-15mA 10-20 cell: 25mA +/-10mA
<b>Leakage current f. batt. w mains off:</b>	< 1mA
<b>Start timer (no -dV detection) *:</b>	3 min.
<b>Top-off timer *:</b>	1 hour
<b>Safety timer *:</b>	2 hours
<b>Switch frequency:</b>	40 kHz
<b>Temperature range</b>	-20°C - +40°C
<b>Efficiency (at 100% load):</b>	ca 80 %
<b>Dimensions (LxWxH):</b>	90 x 45 x 32mm (2115)
<b>Weight:</b>	125g

### SAFETY PROTECTION EMC

<b>Protection</b>	
• <b>Input:</b>	High Breaking Capacity Fuse
• <b>Output:</b>	Polyswitch fuse against reversed polarity
<b>Insulation class:</b>	II
<b>Electrical safety std.:</b>	EN 60950, EN 60601-1 EN 60335-2-29
<b>EMC standards</b>	
• <b>Medical:</b>	EN 60601-1-2
• <b>Emission:</b>	EN 61000-6-3
• <b>Immunity:</b>	EN 61000-6-1
<b>Mains connection**:</b>	2-pin IEC 320 Fixed cord on request (2115)
<b>IP-code:</b>	41

\* Programmable

\*\* Mains cable not included. Order separately.

## VERSIONS

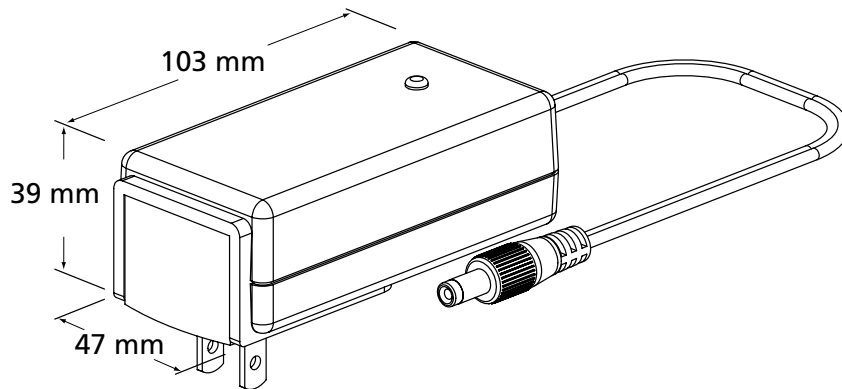
Cells	No-load voltage	Min. out. for -dV detection	Max out. for -dV detection	-dV detection mV/cell or %	Fast charge current	Top-off charge (1h. a. -dV det.)
2	6,3V +/-0,7V	2,5V (min. 2 c.)	5,4V (max. 2 c.)	10mV/0,6%	1,3A +/- 100mA	160mA +/- 30mA
3-6	12,8V +/-0,7V	3,7V (min. 3 c.)	10,8V (max. 6 c.)	12mV/0,7%	1,3A +/- 100mA	160mA +/- 30mA
4-8	16,5V +/-1V	5,0V (min. 4 c.)	14,4V (max. 8 c.)	8mV/0,5%	1,0A +/- 100mA	130mA +/- 30mA
5-10	21V +/-1,2V	6,2V (min. 5 c.)	18V (max. 10 c.)		0,8A +/- 100mA	110mA +/- 30mA
6-12	24,7V +/-1,5V	7,5V (min. 6 c.)	21,6V (max. 12 c.)		0,7A +/- 100mA	100mA +/- 30mA
10-20	41V +/-2V	12,5V (min. 10 c.)	36V (max. 20 c.)		0,4A +/- 50mA	65mA +/- 20mA
Note:		min 1,25 V pr. cell	max 1,8 V pr. cell			



For 2116 only:  
Exchangeable AC plug models

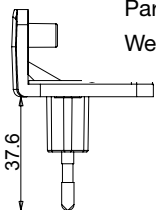


**2-pin IEC 320 C7 mains cord**  
1800 mm EU part no. 131306  
UK part no. 131148, US part no.  
131147, AU part no. 013108



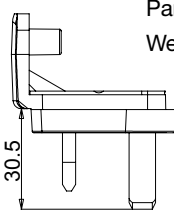
**EU plug**

Part no. 018110  
Weight: 21 g



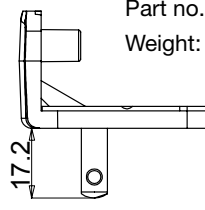
**UK plug**

Part no. 018112  
Weight: 30 g



**US plug**

Part no. 018111  
Weight: 14 g



**AU plug**

Part no. 018114  
Weight: 28 g

