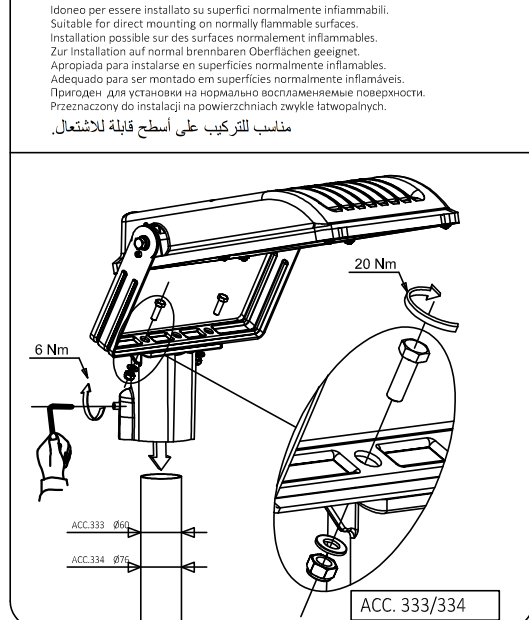
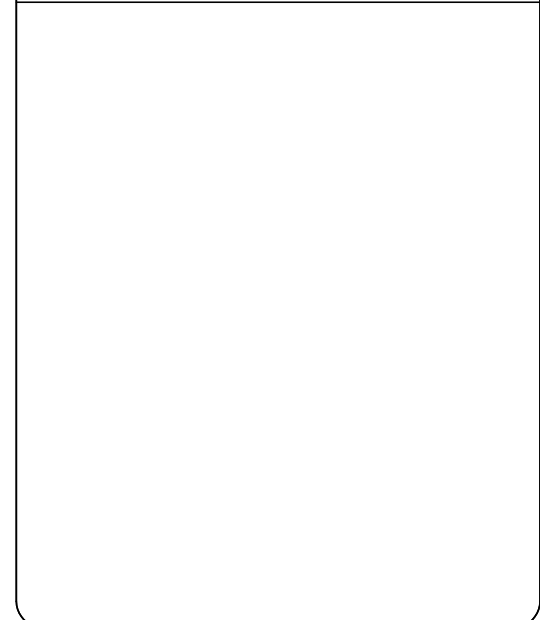


Technical specifications table for Class II fibreglass poles. Includes sections for technical data, dimensions, attention points, and installation instructions in multiple languages.



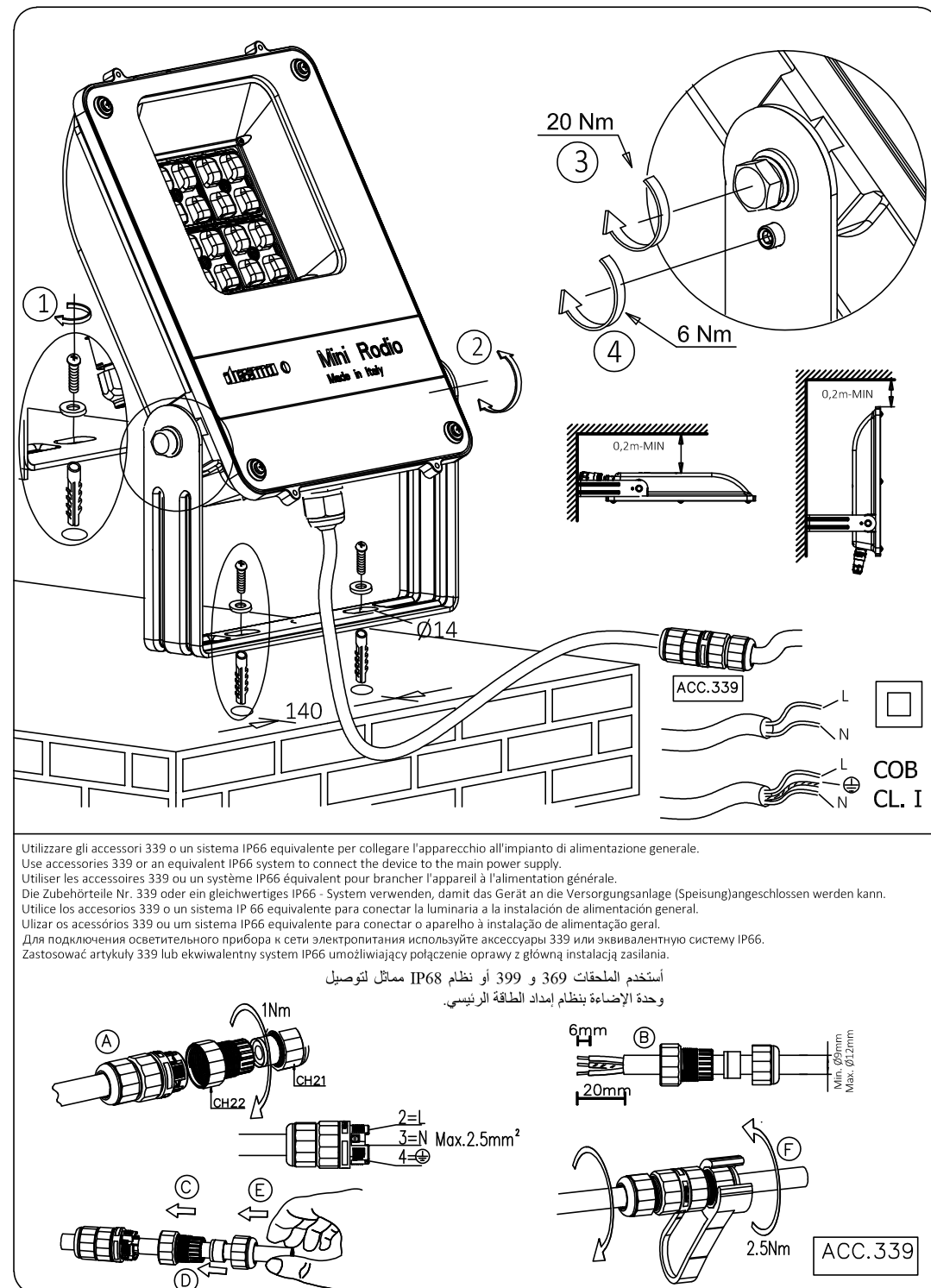
Installation instructions for the fibreglass poles in various languages including Italian, Russian, Polish, Arabic, and Spanish. It covers mounting, maintenance, and safety warnings.



Technical specifications table for Class II fibreglass poles. Includes sections for technical data, dimensions, attention points, and installation instructions in multiple languages.

Technical specifications table for Class II fibreglass poles. Includes sections for technical data, dimensions, attention points, and installation instructions in multiple languages.

Installation instructions for Class II luminaires on fibreglass poles. Includes sections for technical data, dimensions, attention points, and installation instructions in multiple languages.



Installation instructions for Class II luminaires on fibreglass poles. Includes sections for technical data, dimensions, attention points, and installation instructions in multiple languages.