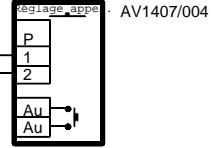
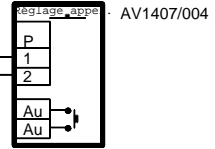
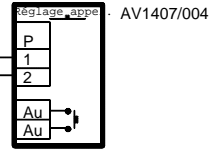
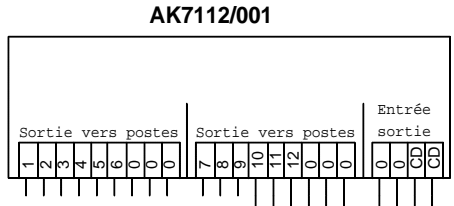


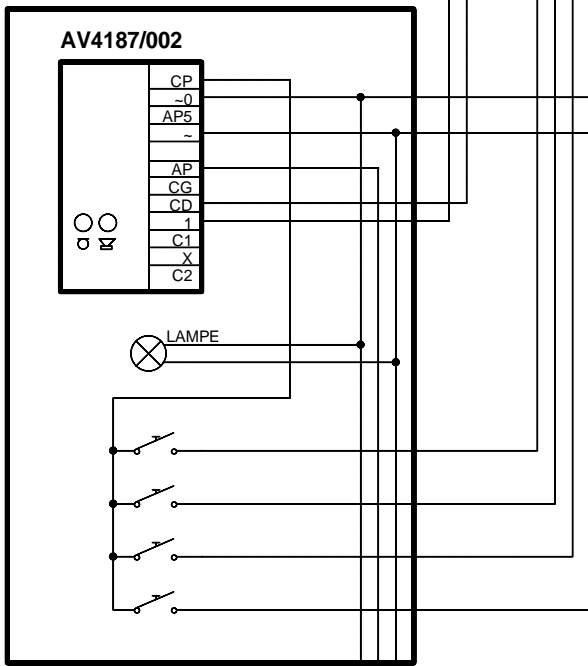
# SCA-23-061



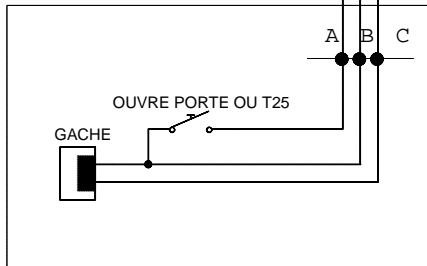
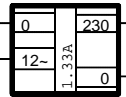
Distance= Alim ->Hp micro + Hp Micro ->Combine

| DIAMETRE ET SECTION DES CONDUTEURS |          |      |         |      |        |      |
|------------------------------------|----------|------|---------|------|--------|------|
|                                    | 1 Commun |      | 2 Appel |      | ~ 0 Ap |      |
| DISTANCE                           | dia.     | sec. | dia.    | sce. | dia.   | sce. |
| 50 mt                              | 0.8      | 0.5  | 0.8     | 0.5  | 1.2    | 1    |
| 100 mt                             | 1.0      | 0.8  | 1.0     | 0.8  |        |      |
| 200 mt                             | 1.2      | 1.0  | 1.2     | 1.0  |        |      |

## Platine UHR....

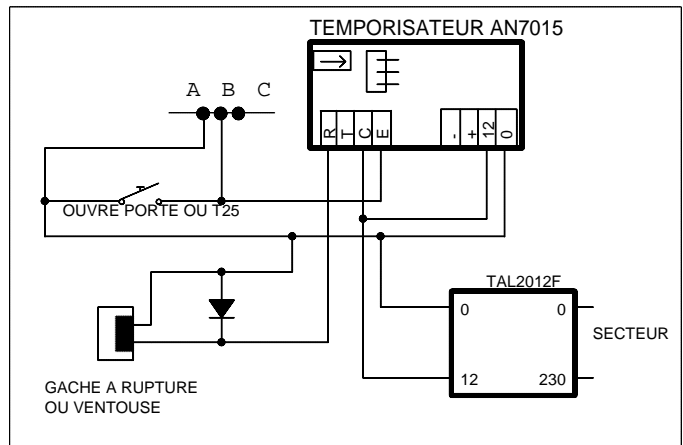


### AN1299



Système GACHE simple

ou



Système GACHE à RUPTURE et VENTOUSE

|   |                        |                                       |        |
|---|------------------------|---------------------------------------|--------|
| <b>bitronvideo</b>  |                        | <b>EVICOM-BITRON</b>                  |        |
|   |                        | Tel:04.93.44.70.71 Fax:04.93.44.99.60 |        |
| Title Platine HR 2 fils appel électronique<br>secret colonne AK 7112/001, AN 1299 |                        |                                       |        |
| Size  | Document Number        | SCA-23-061                            | Rev    |
| Custom  |                        |                                       |        |
| Date:   | Friday, April 10, 2009 | Sheet                                 | 1 of 1 |