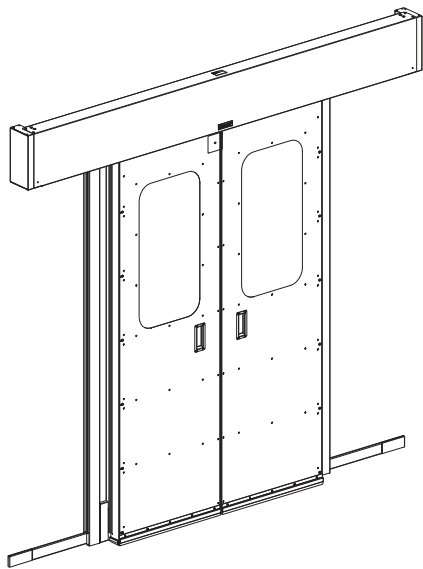
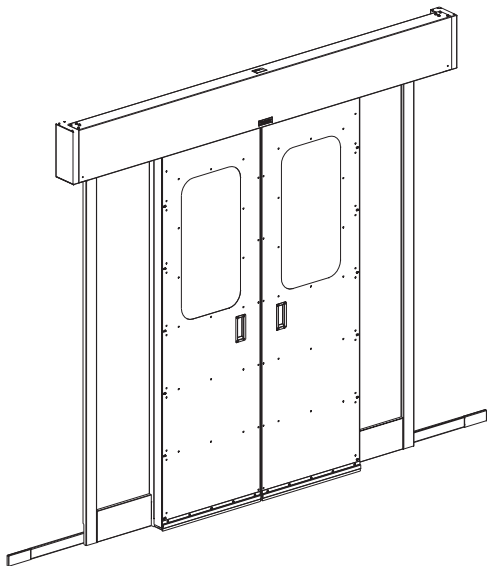


COMPONENT GUIDE



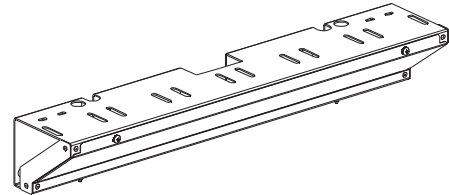
C2CACT5F04DS**

- (1) Left Door
- (1) Right Door
- (1) Transom
- (1) Header Assembly
- (1) Left Hand Cap
- (1) Right Hand Cap
- (1) Header Cover
- (1) Door Frame
- (1) Hardware Kit



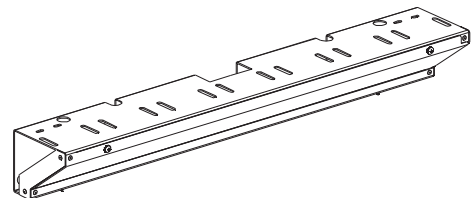
C2CACT5F06DS**

- (1) Left Door
- (1) Right Door
- (1) Transom
- (1) Header Assembly
- (1) Left Hand Cap
- (1) Right Hand Cap
- (1) Header Cover
- (1) Door Frame
- (1) Hardware Kit



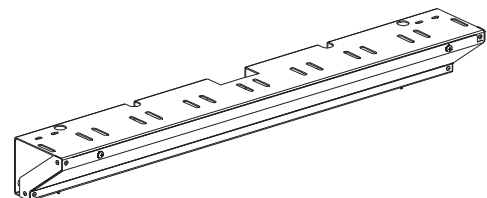
C2CAC06F08WPxx

- (1) 600mm Wall Panel
- (1) Wall Panel Cover
- (1) Hardware Kit



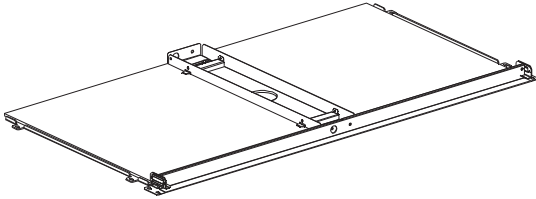
C2CAC07F08WPxx

- (1) 700mm Wall Panel
- (1) Wall Panel Cover
- (1) Hardware Kit

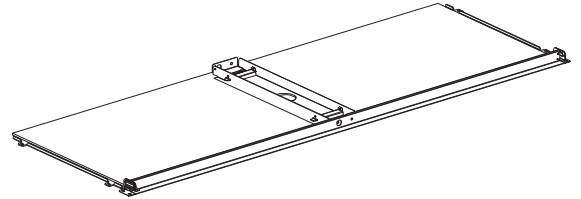


C2CAC08F08WPxx

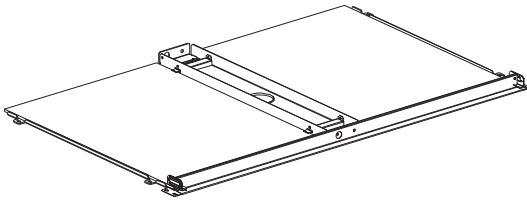
- (1) 800mm Wall Panel
- (1) Wall Panel Cover
- (1) Hardware Kit

COMPONENT GUIDE

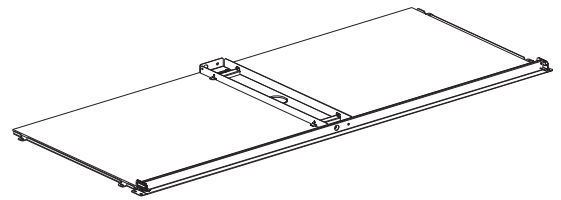
- C2CAC06F04IRxx**
 (2) Ceiling Panels 600mm Wide
 (1) Aisle Beam
 (2) Ceiling Panel Stops
 (1) Center Beam Assembly
 (1) Hardware Kit



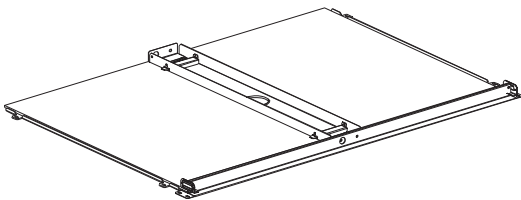
- C2CAC06F06IRxx**
 (2) Ceiling Panels 600mm Wide
 (1) Aisle Beam
 (2) Ceiling Panel Stops
 (1) Center Beam Assembly
 (1) Hardware Kit



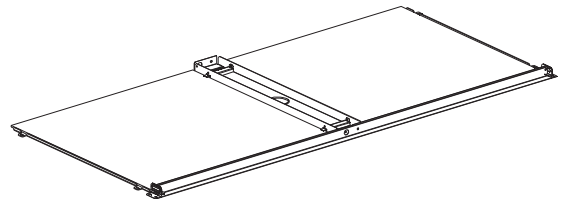
- C2CAC07F04IRxx**
 (2) Ceiling Panels 700mm Wide
 (1) Aisle Beam
 (2) Ceiling Panel Stops
 (1) Center Beam Assembly
 (1) Hardware Kit



- C2CAC07F06IRxx**
 (2) Ceiling Panels 700mm Wide
 (1) Aisle Beam
 (2) Ceiling Panel Stops
 (1) Center Beam Assembly
 (1) Hardware Kit



- C2CAC08F04IRxx**
 (2) Ceiling Panels 800mm Wide
 (1) Aisle Beam
 (2) Ceiling Panel Stops
 (1) Center Beam Assembly
 (1) Hardware Kit



- C2CAC08F06IRxx**
 (2) Ceiling Panels 800mm Wide
 (1) Aisle Beam
 (2) Ceiling Panel Stops
 (1) Center Beam Assembly
 (1) Hardware Kit

Table of Contents

Section 1 - Wall Panels

Aligning Cabinet on Raised Floor.....	7
Leveling Cabinet.....	8
Aligning Rows of Cabinets.....	9
Wall Panel Installation.....	10
Wall Panel Seal Installation / Gaging and Securing Cabinets to Floor.....	11
Spacing of 4 Foot Aisle Width.....	12
Spacing of 6 Foot Aisle Width.....	13
Second Row Installation.....	14
Attaching Wall Panel Cover.....	15

Section 2 - Ceiling Structure

Initial Aisle Beam Installation.....	17
Aisle Beam Alignment.....	18
Additional Aisle Beam Installation.....	19
Ceiling Panel Stop Installation.....	20
Ceiling Support Bracket Installation.....	21
Ceiling Panel Installation.....	22

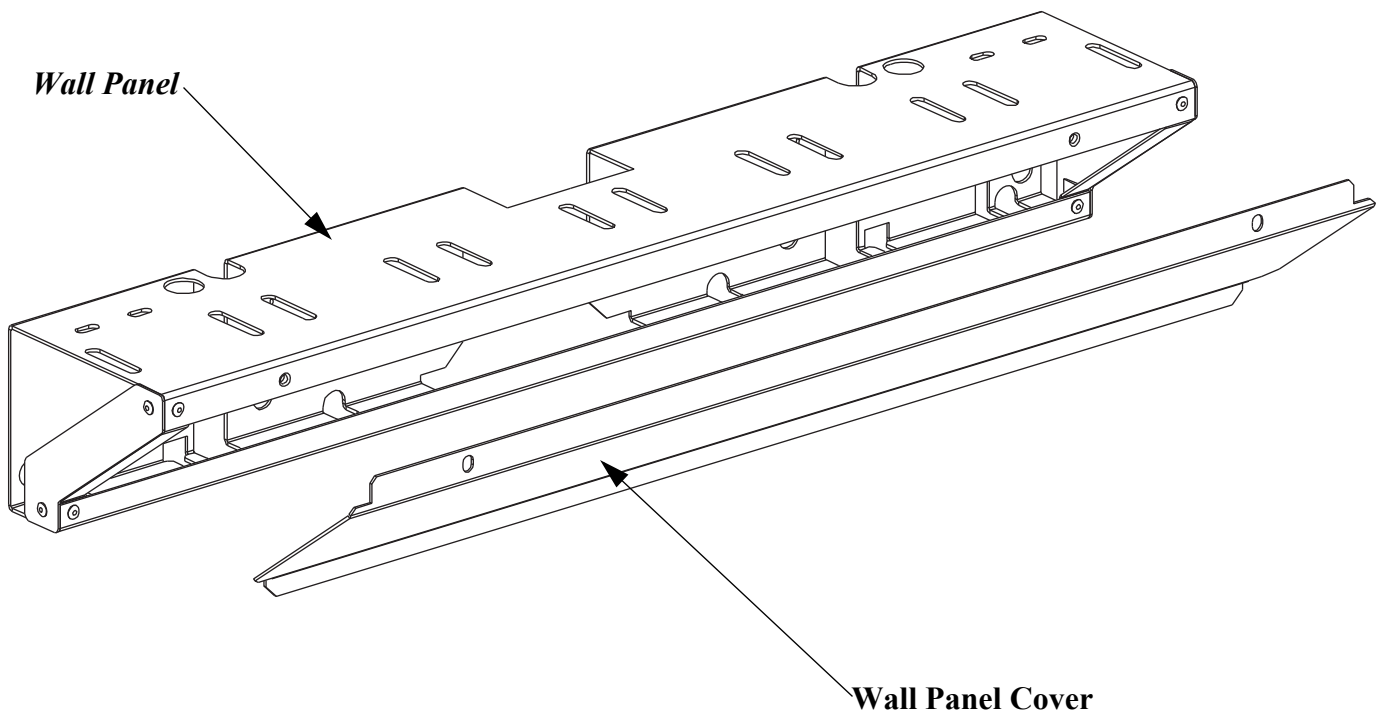
Table of Contents

Section 3 - Sliding Doors

Attaching Corner Bracket on Top of Cabinet (For Server Cabinets Only).....	24
Bottom Bracket Installation (For Server Cabinets Only).....	25
Attaching Corner Bracket on Top of Cabinet (For Switch Cabinets Only).....	26
Bottom Bracket Installation (For Switch Cabinets Only with In-Row Side Panel).....	27
Securing Lower Attachment Bracket to Cabinet (Only for Switch Cabinets with End-of-Row Side Panels).....	28
Bottom Bracket Installation (Only for Switch Cabinets with End-of-Row Side Panels).....	29
Foam Seal Installation.....	30
Attaching Lower Bracket (For 1800mm Aisle Only).....	31
Attaching Lower Bracket (For 1200mm Aisle Only).....	32
Attaching Transom to Aisle Beam.....	33
Attaching Transom Assembly.....	34
Measuring Dimension "X" for Flap Seal Installation.....	35
Flap Seal Installation.....	36
Vertical Panel Installation (For 1200mm Aisle Only).....	37
Panel Cover Installation (For 1200mm Aisle Only).....	38
Vertical Panel Installation (For 1800mm Aisle Only).....	39
Panel Cover Installation (For 1800mm Aisle Only).....	40
Attaching Door Guides.....	41
Header Installation.....	42
Right Hand Sliding Door Set-Up.....	43
Left Hand Sliding Door Set-Up.....	44
Sliding Door Installation.....	45
Adjusting Sliding Door Height.....	46
Attaching Panel Covers.....	47
Adjusting Doors Seals.....	48
Adjusting Door Damper.....	49
Attaching Cover Caps.....	50
Header Cover Installation.....	51
Lower Bracket Cover Installation (For 1800mm Aisle Only).....	52

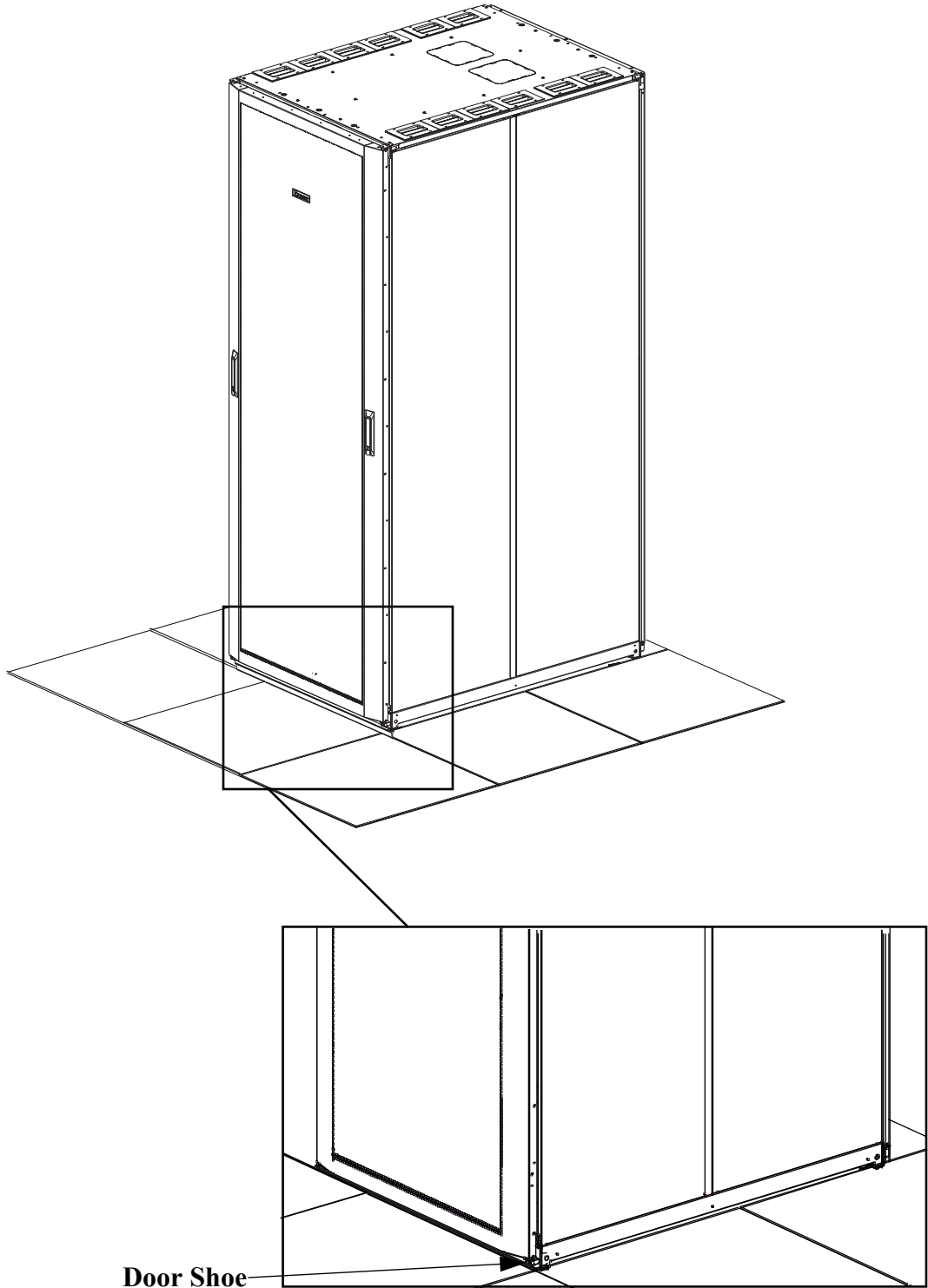
SECTION 1

INSTALLATION OF WALL PANELS CAC06F08WP**, CAC07F08WP**, and CAC08F08WP**



Alignment of Cabinet on Raised Floor

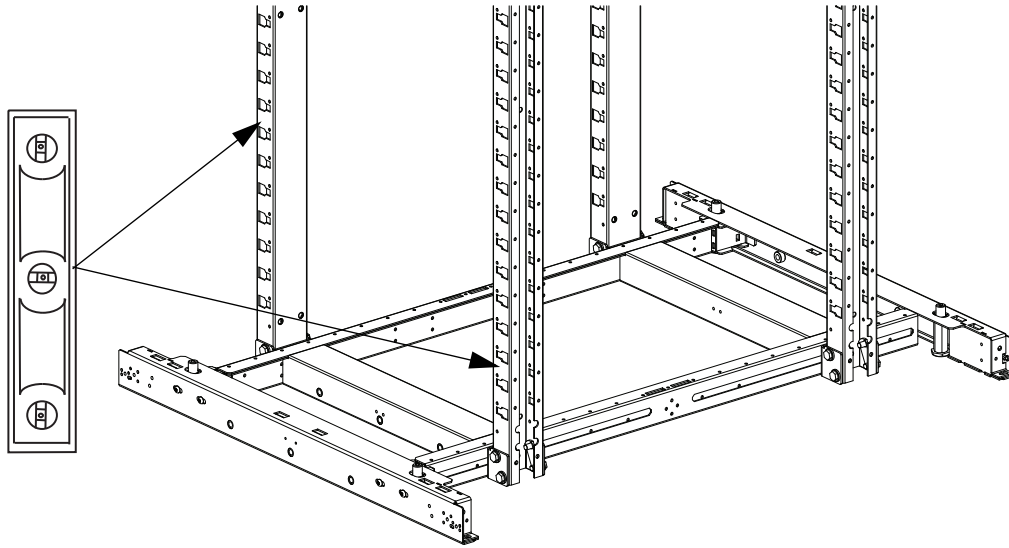
- Position the first cabinet in the desired location.
- Align the cabinet door shoe along the edge of the floor. (or desired location)



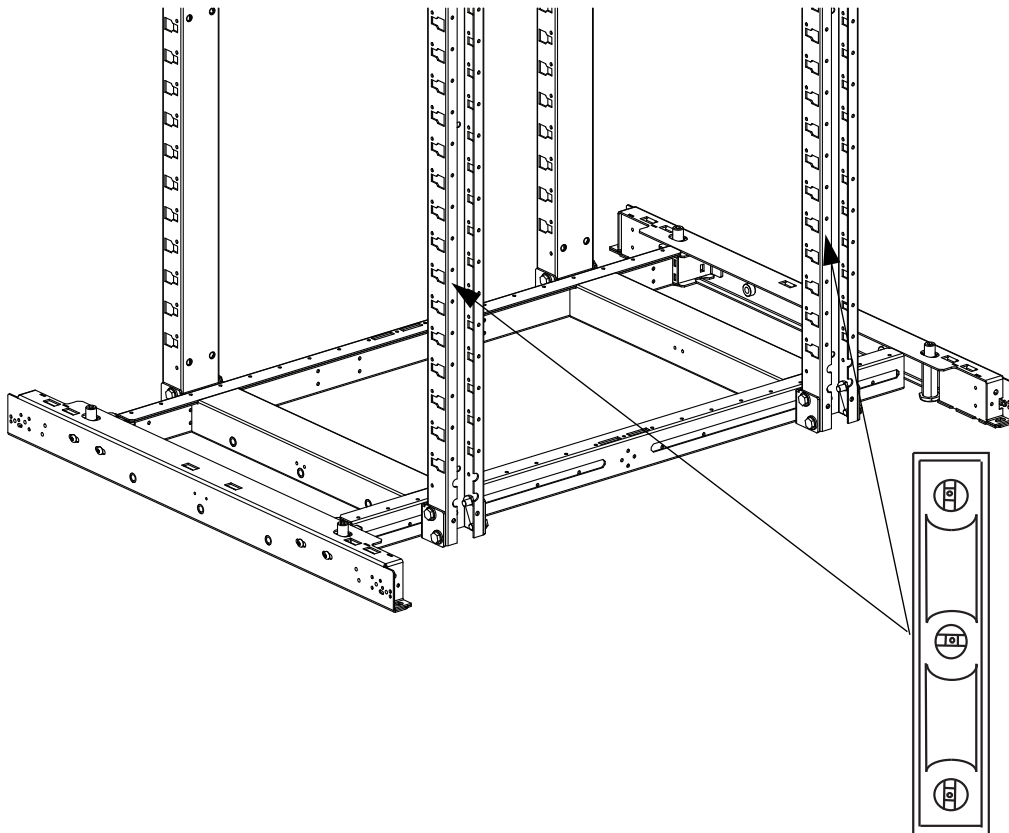
Leveling Cabinet

- Use a bubble level placed on the vertical rails in the locations shown. Adjust Legs until the cabinet is level
- Ensure that adjacent cabinets are adjusted to the same height, parallel with each other. (For ganged cabinet applications)

Front-to-Back Cabinet Leveling

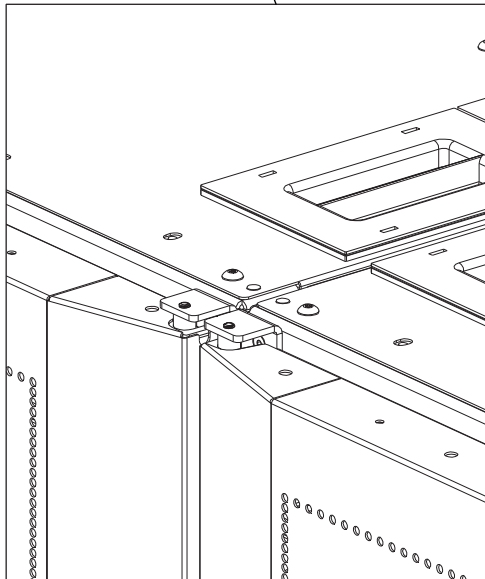
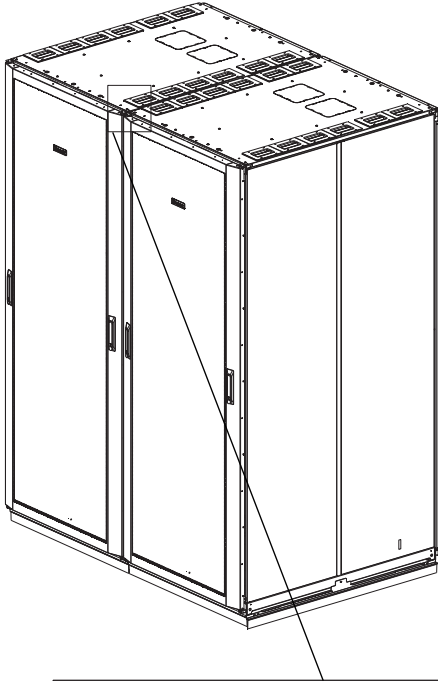


Side-to-Side Cabinet Leveling



Aligning Rows of Cabinets

- Alignment will be important for overall install of Net-Contain.
- Place next cabinet in the row 1-2" from the first cabinet.
- Level cabinet front and back while keeping top and bottom in line with the previous cabinet.
- Once cabinet is leveled move cabinet over until flush with the first cabinet.
- Repeat process until all cabinets in the row are aligned.

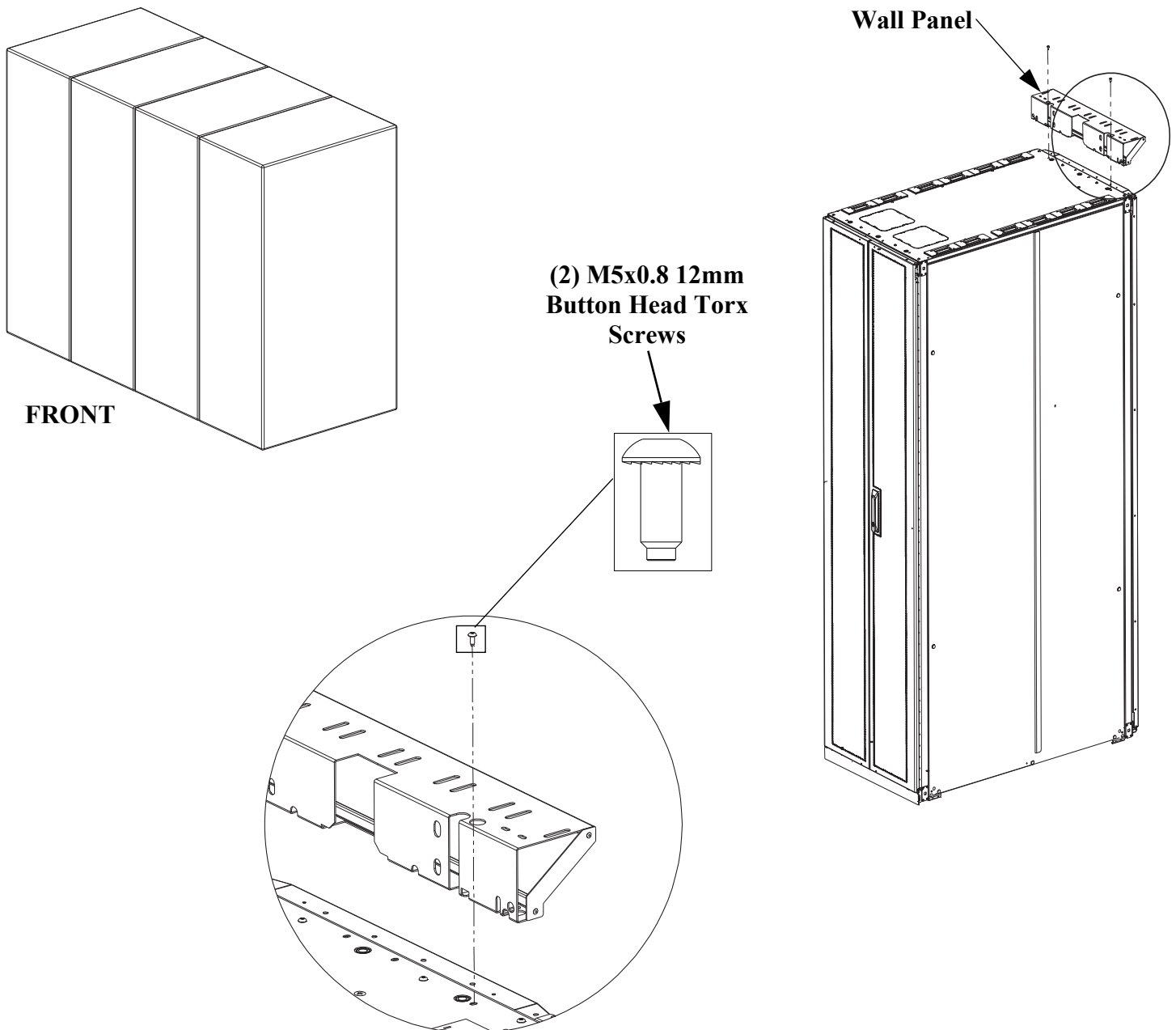


Note: Make sure top of cabinets are aligned after leveling and placement.



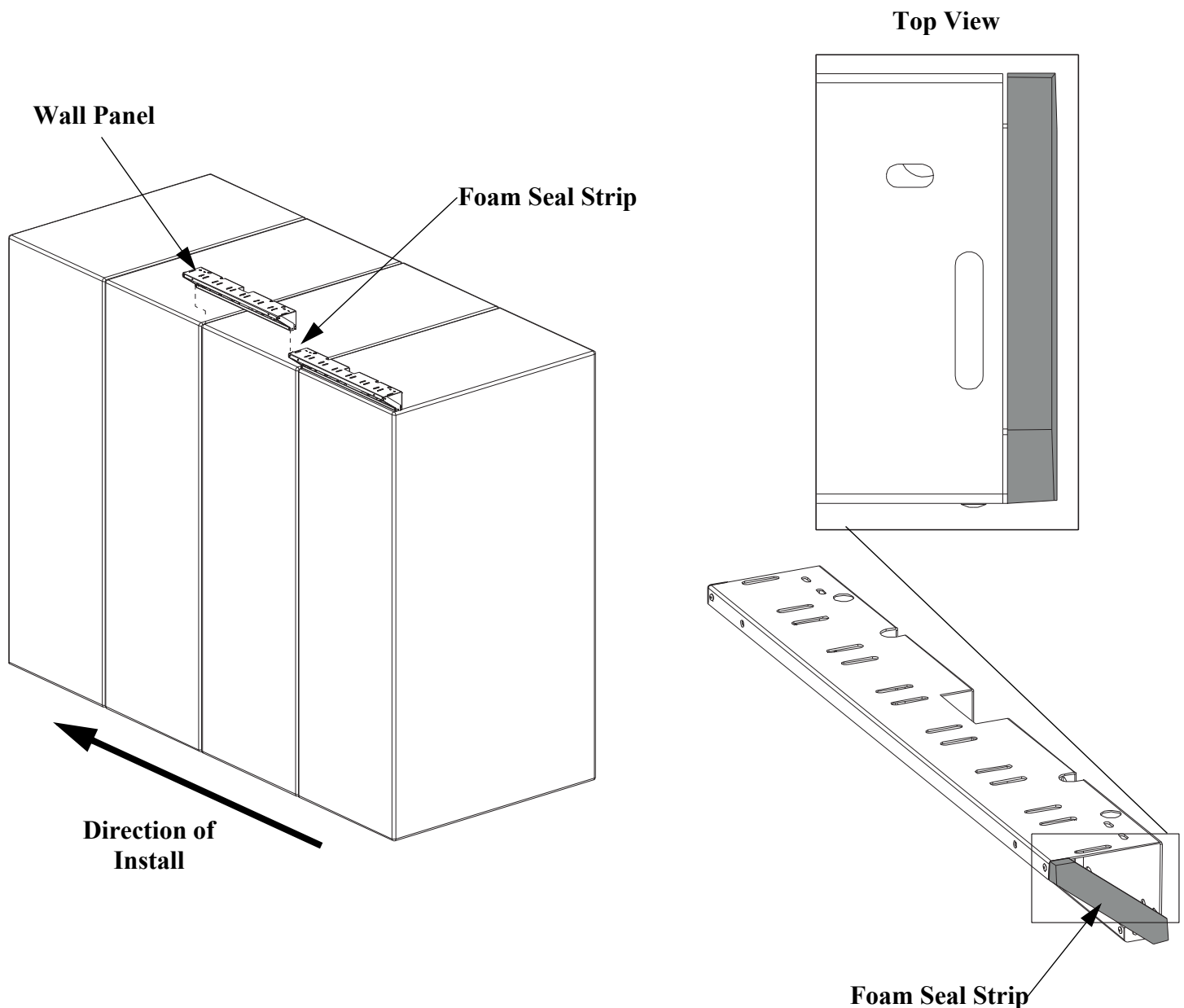
Wall Panel Installation

- Start installation of Wall Panels with cabinet on your far right end of the row (when facing front of cabinet.)
- Install (1) Wall Panel by aligning Wall Panel with threaded holes on top of Cabinet.
- Secure Wall Panel to cabinet with (2) M5x0.8 12mm button head torx screws.



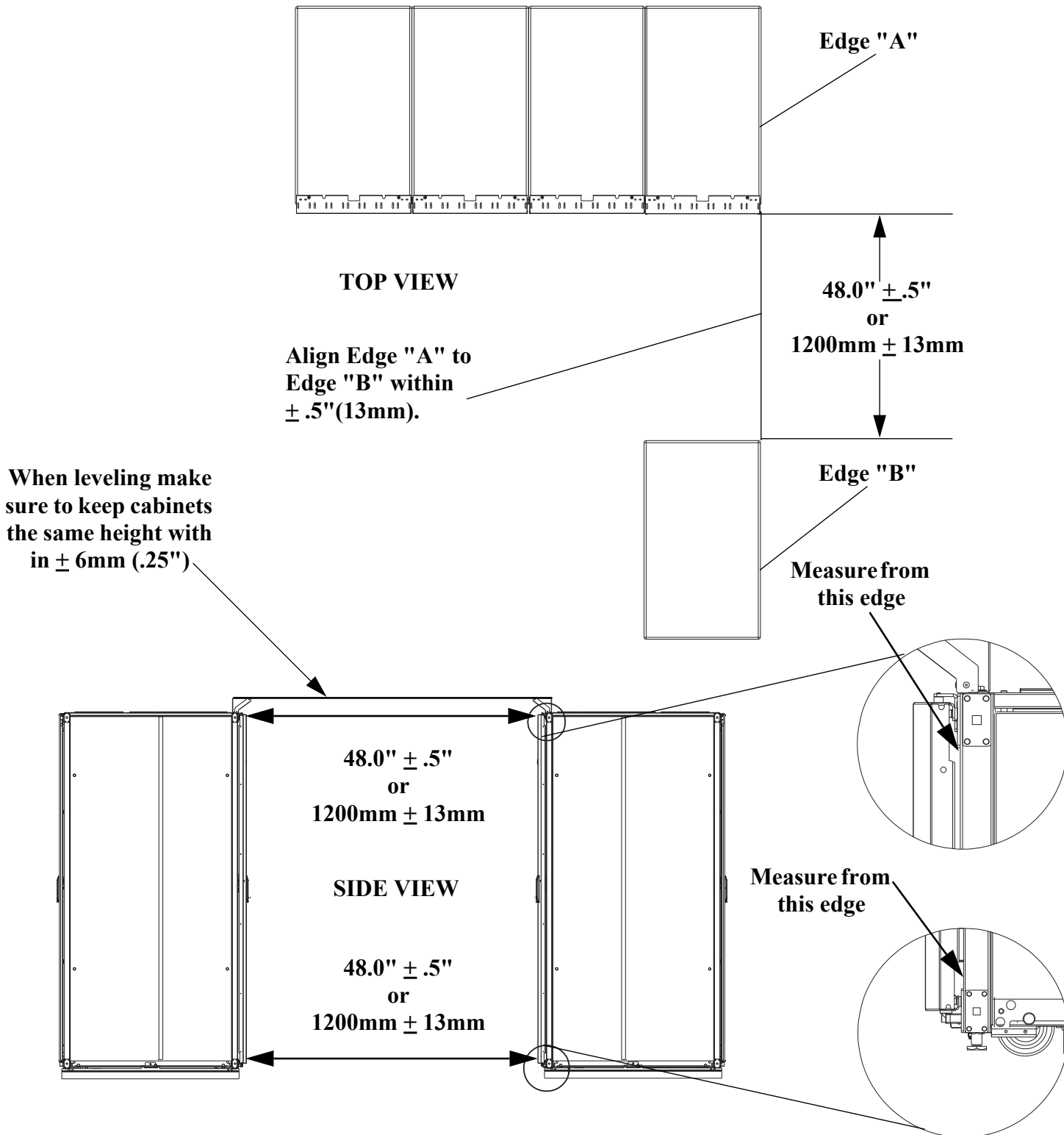
Wall Panel Seal Installation / Ganging and Securing Cabinets to Floor

- After installing the first Wall Panel of the row, apply (1) Foam Seal Strip along the edge of the Wall Panel to seal the gap between adjacent Wall Panel.
- Slide next Wall Panel over until Wall Panel is centered and foam is compressed.
- Repeat Process for all cabinets in row.
- Once all cabinets have Wall Panels installed, gang cabinets. (Reference CM598*)
- Panduit recommends securing cabinets to the floor. (Reference CM598*)



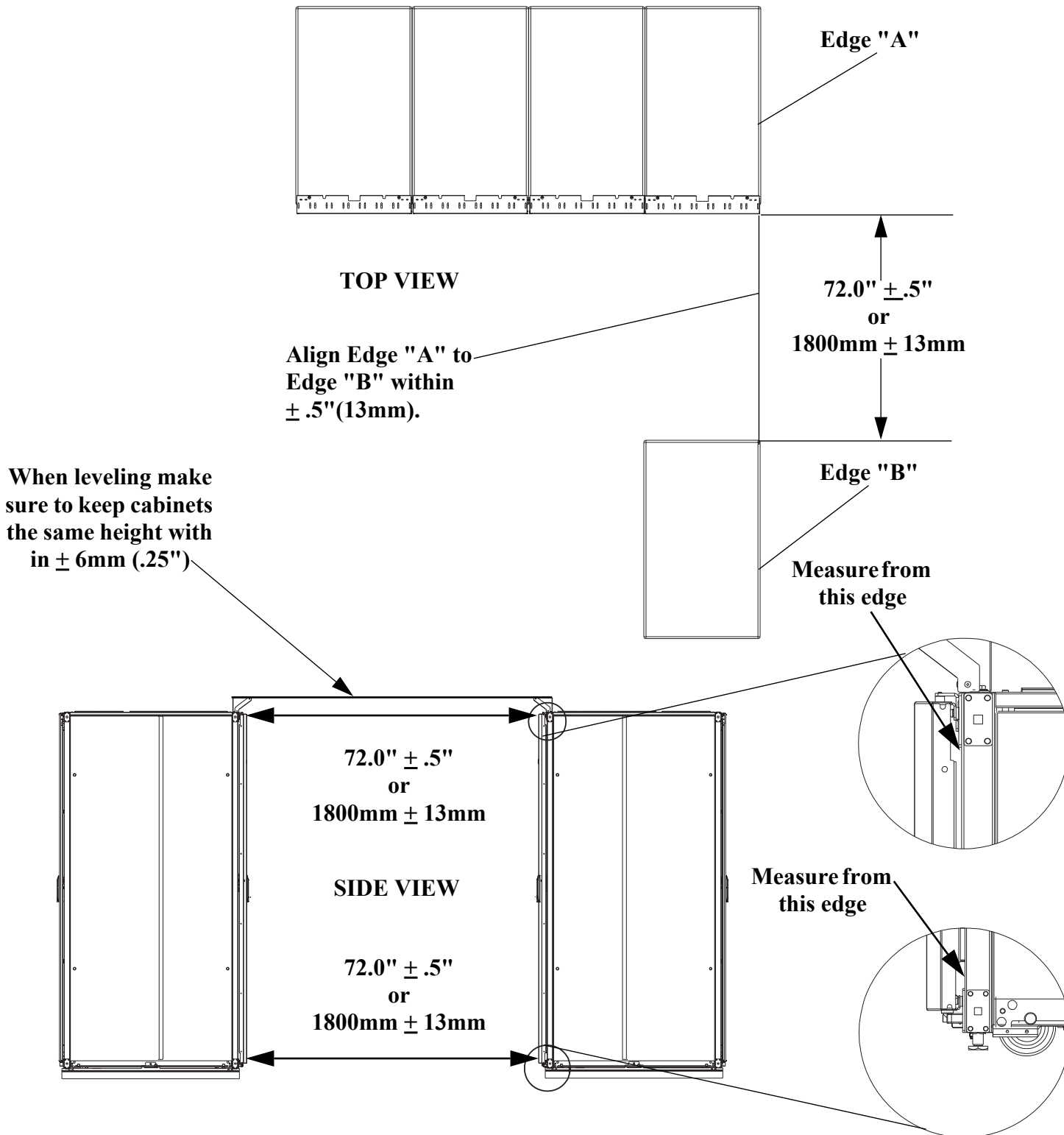
Spacing of 4 Foot Aisle Width

- Place opposing row of cabinet's $48.0" \pm .5"$ or $1200\text{mm} \pm 13\text{mm}$ across from the first row.
- Align edge A and edge B within $\pm .5"$ (13mm).
- Note: When aligning and leveling cabinets make sure to keep cabinets the same height within $\pm 6\text{mm}$ (.25").



Spacing of 6 Foot Aisle Width

- Place opposing row of cabinet's $72.0" \pm .5"$ or $1800\text{mm} \pm 13\text{mm}$ across from the first row.
- Align edge A and edge B within $\pm .5"$ (13mm).
- Note: When aligning and leveling cabinets make sure to keep cabinets the same height within $\pm 6\text{mm}$ (.25")



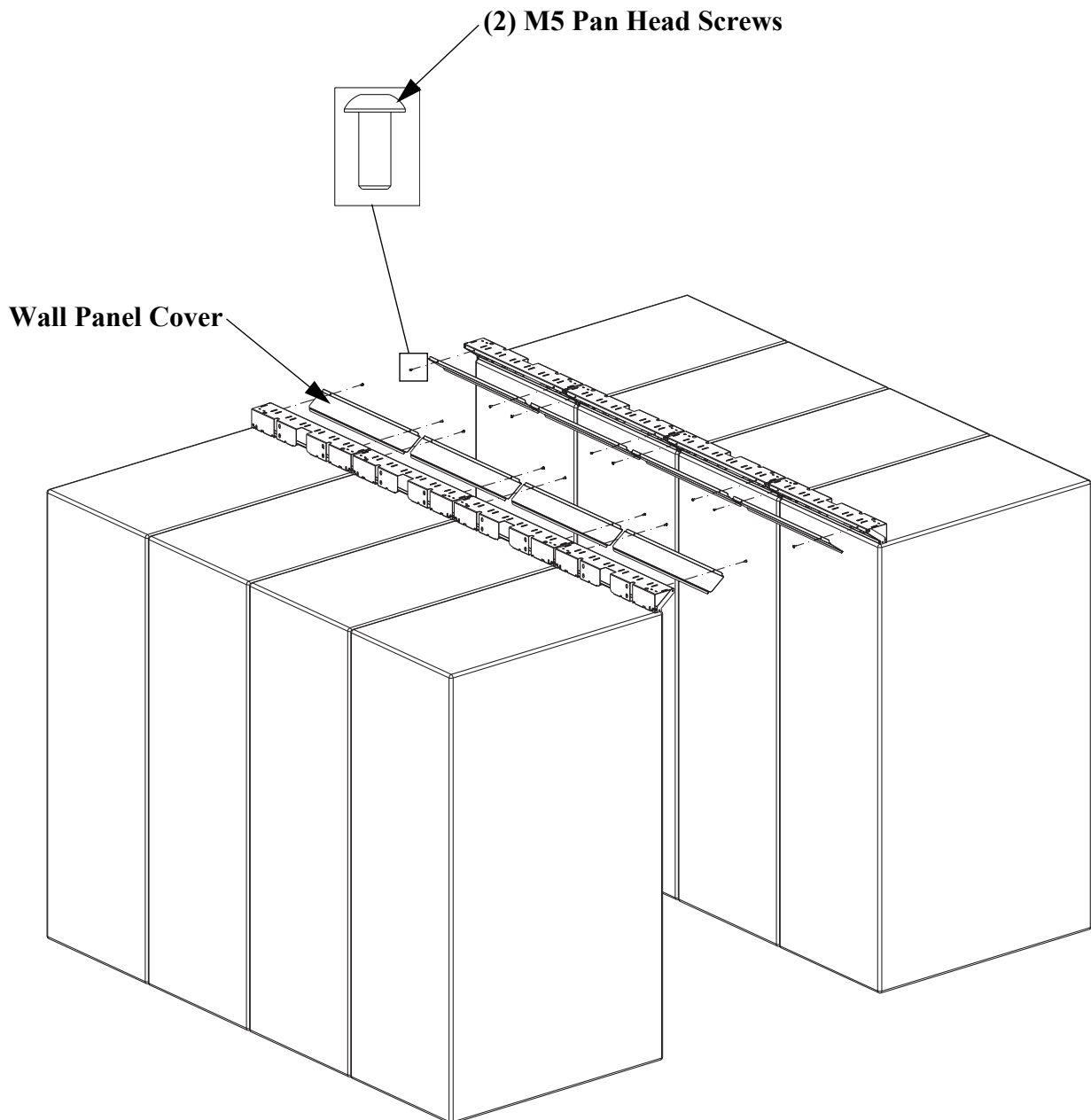
Second Row Installation

- Level Cabinet (reference page 8)
- Align Cabinet (reference 9)
- Repeat until all cabinets of opposing row are installed and aligned.

- Install Wall Panel (reference 10)
- Install Wall Panel Seal (reference 11)
- Repeat until all cabinets of opposing row are installed and aligned.

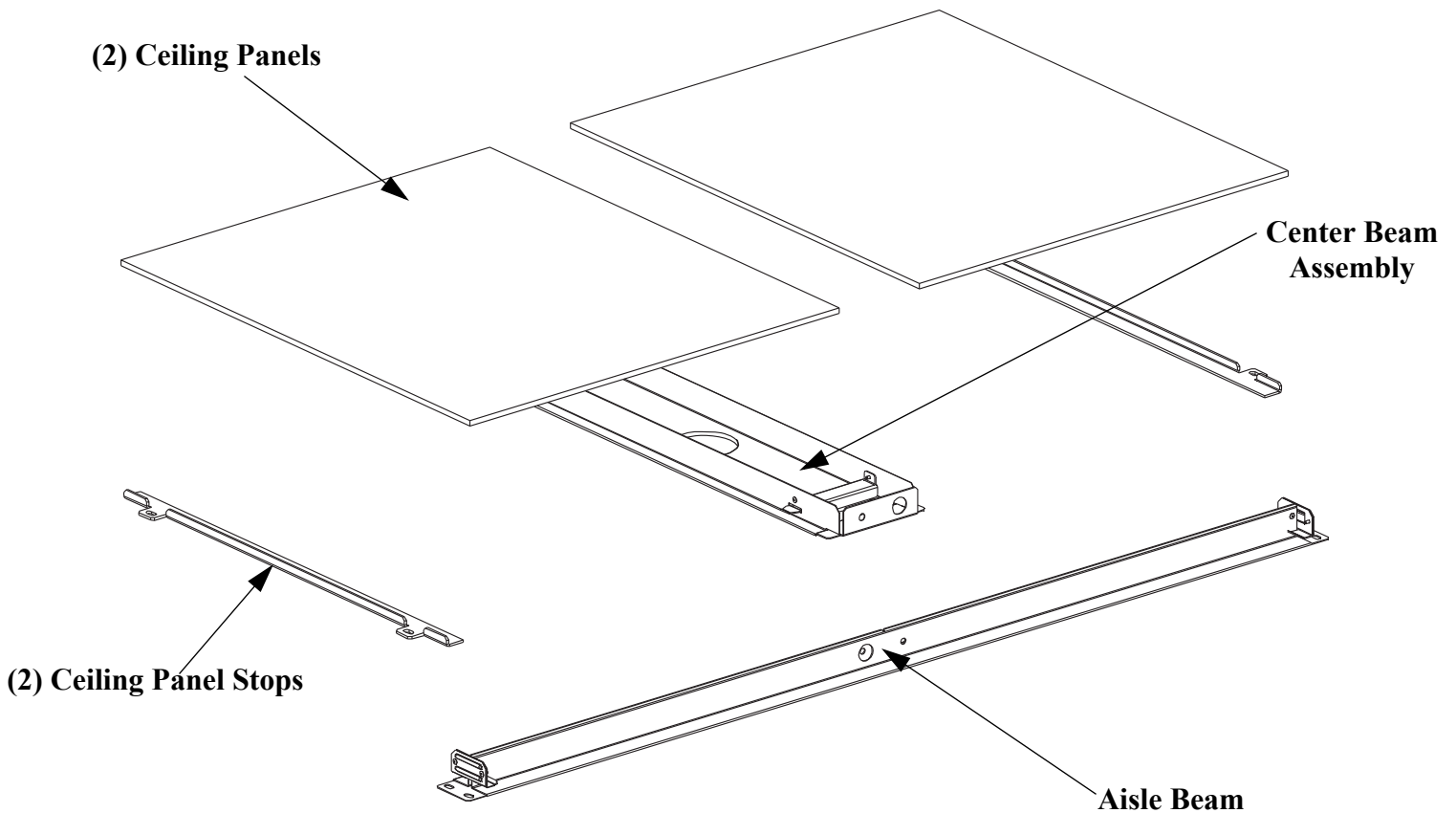
Attaching Wall Panel Cover

- Using (2) M5 pan head screws, attach (1) Wall Panel Cover to each Wall Panel.
- NOTE: Attach wall panel covers after section 2 (installation of ceiling structure on page 16) and section 3 (sliding doors on page 23) are finished.



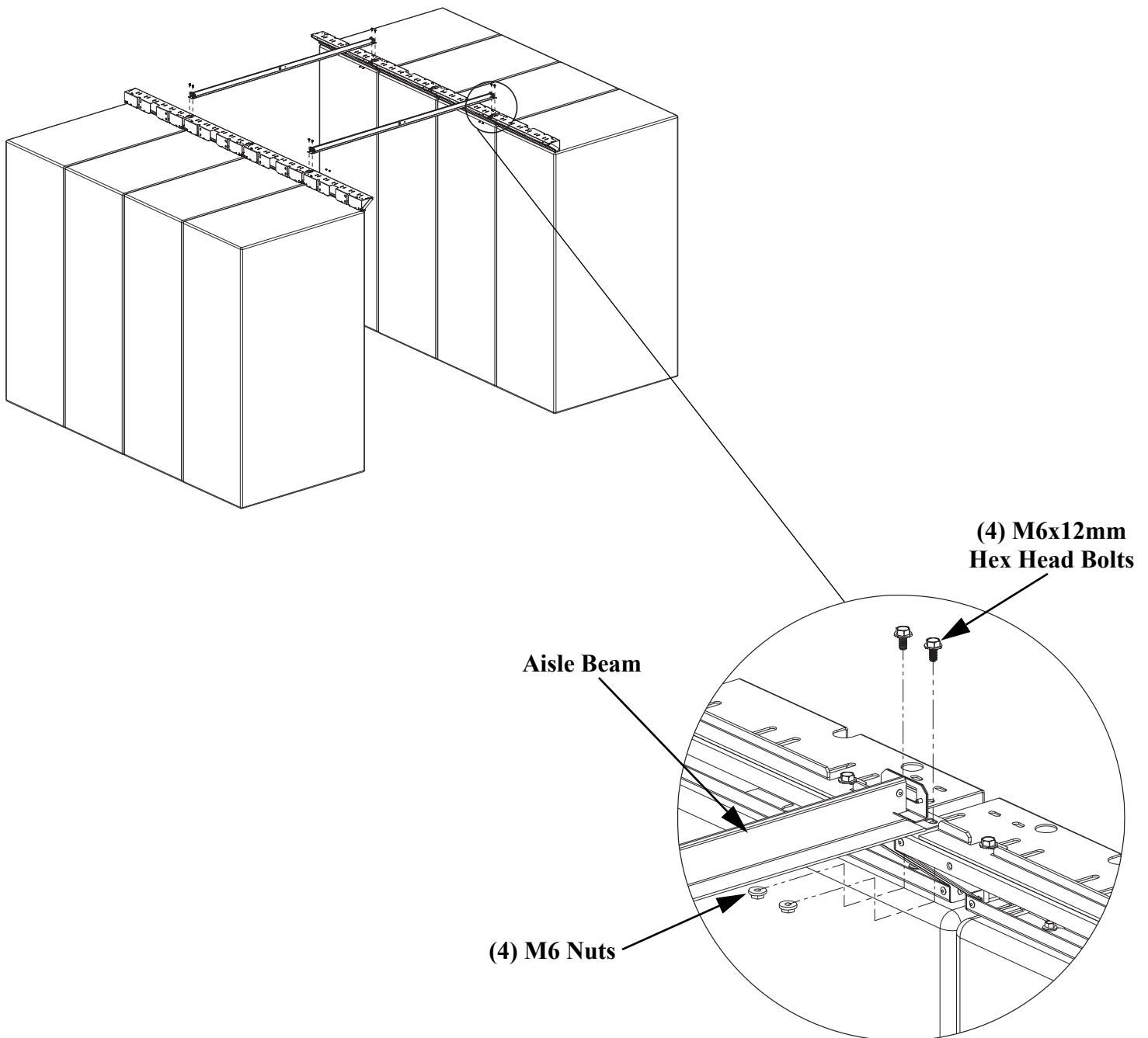
SECTION 2

INSTALLATION OF CEILING STRUCTURE C2CAC06F04IR**, C2CAC07F04IR**, C2CAC08F04IR** C2CAC06F06IR**, C2CAC07F06IR**, and C2CAC08F06IR**



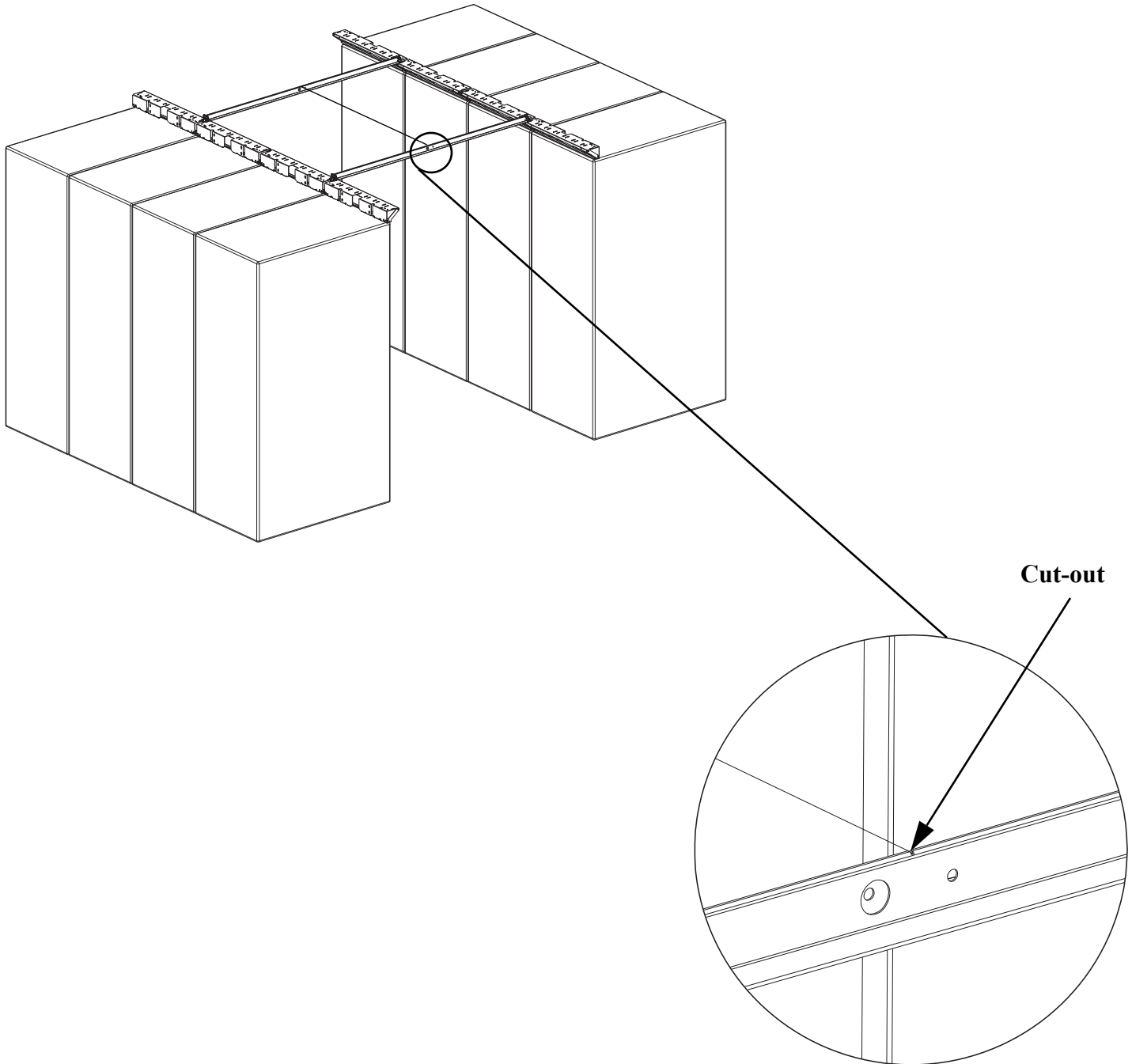
Initial Aisle Beam Installation

- Install (1) Aisle Beam into adjacent Wall Panels (1) cabinet in from the end of each POD.
- Center Aisle Beam across the aisle. Using the cut out located in the center of the Aisle Beam, position the beam equidistant from the Wall Panels. Example, 24" (609mm) from each Wall Panel.
- Secure Aisle Beam with (4) M6x12mm hex head bolts and (4) M6 nuts, as shown below.
- Repeat process at other end of row.



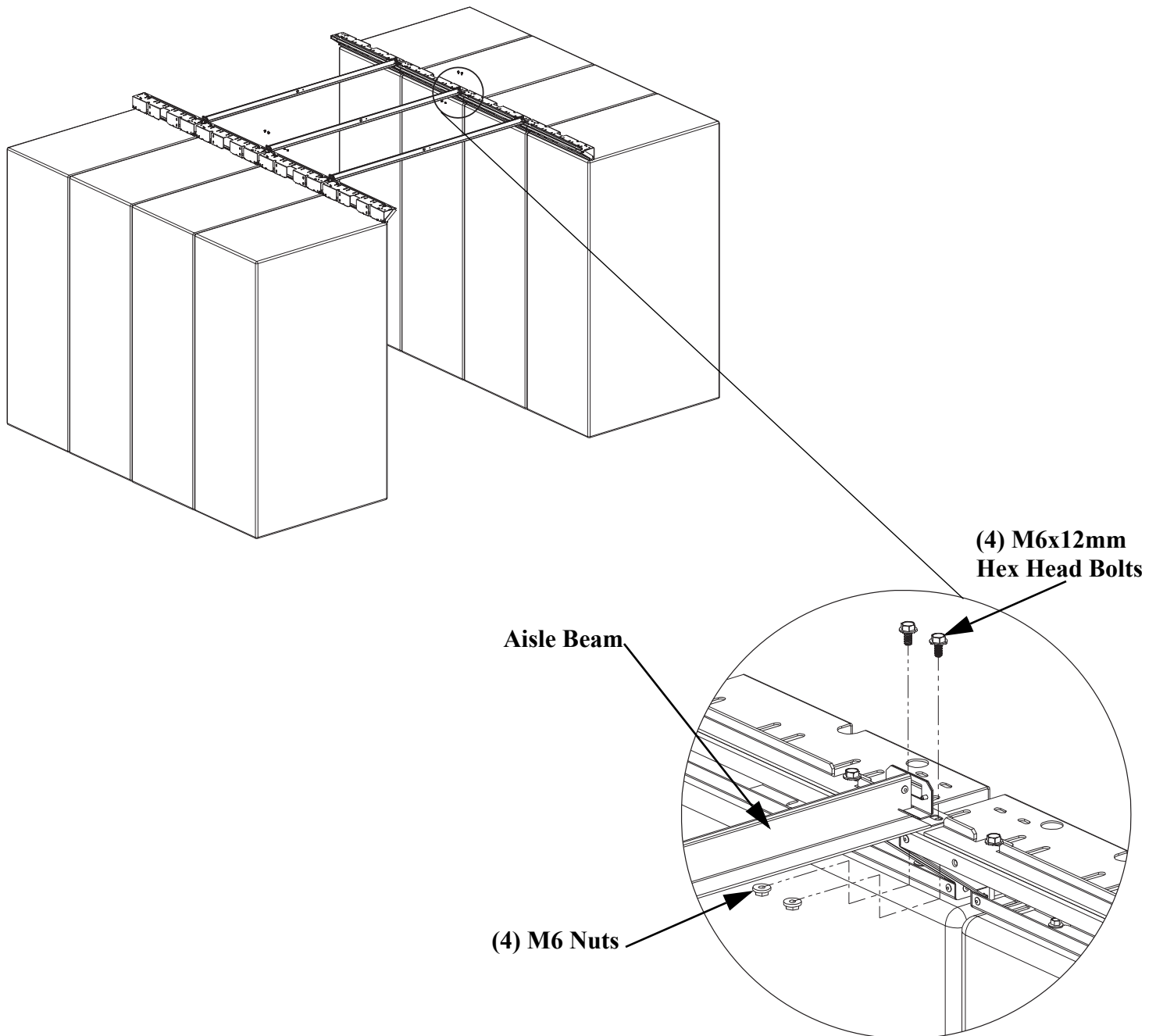
Aisle Beam Alignment

- Use a laser (or string if laser is not available) to set a base line from one end of the POD to the other.
- Use the in the middle of the Aisle Beam to set your base line.



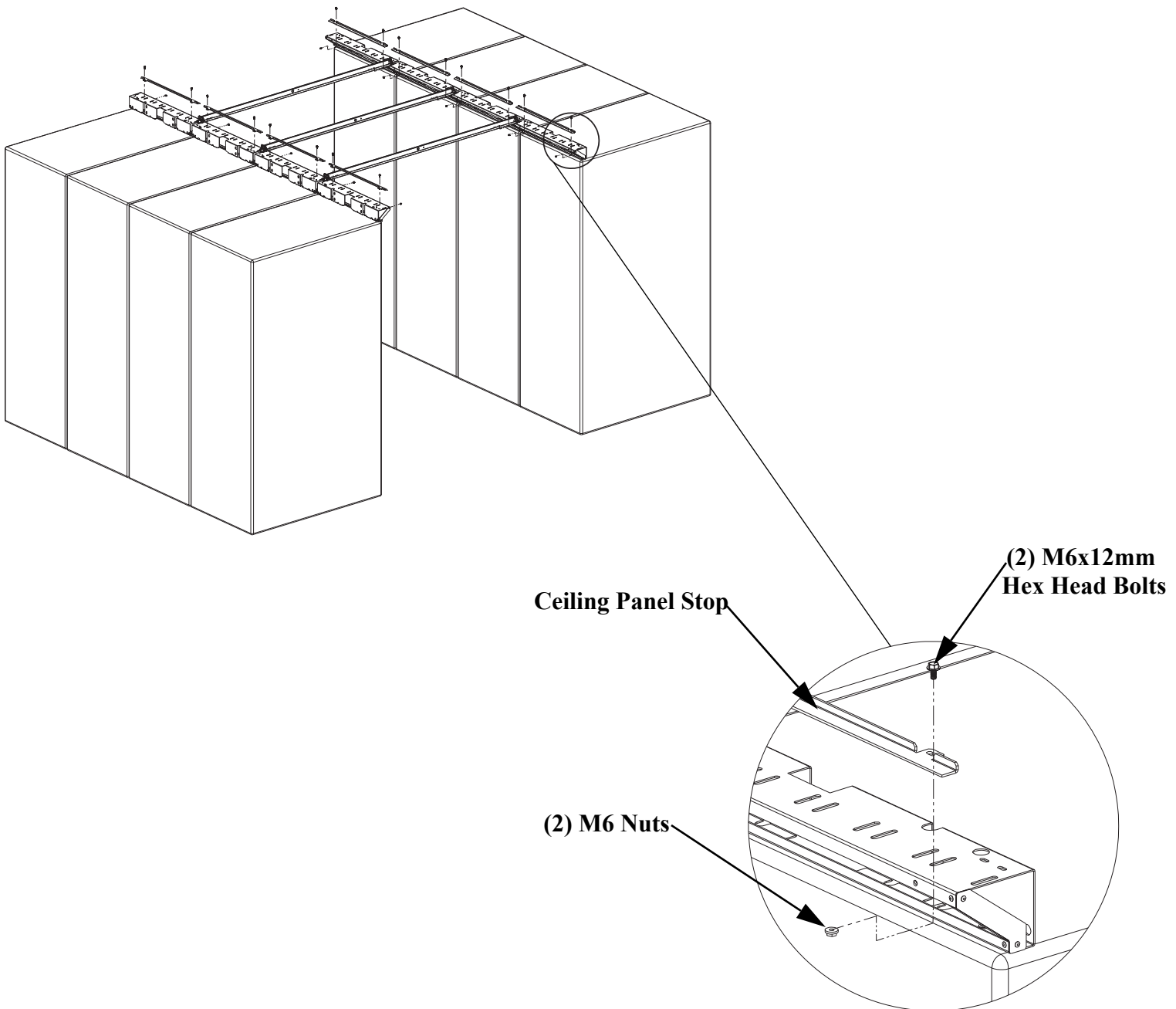
Additional Aisle Beam Installation

- Ensure Wall Panels are level
- Secure Aisle Beam with (4) M6x12mm hex head bolts and (4) M6 nuts. (Space Aisle Beam appropriately apart.
Example: For a 700mm ceiling width, leave 700mm between Aisle Beams.
- Repeat process for all Aisle Beams in the row.
- **NOTE: Last Aisle Beam is supplied with End of Row Doors.**



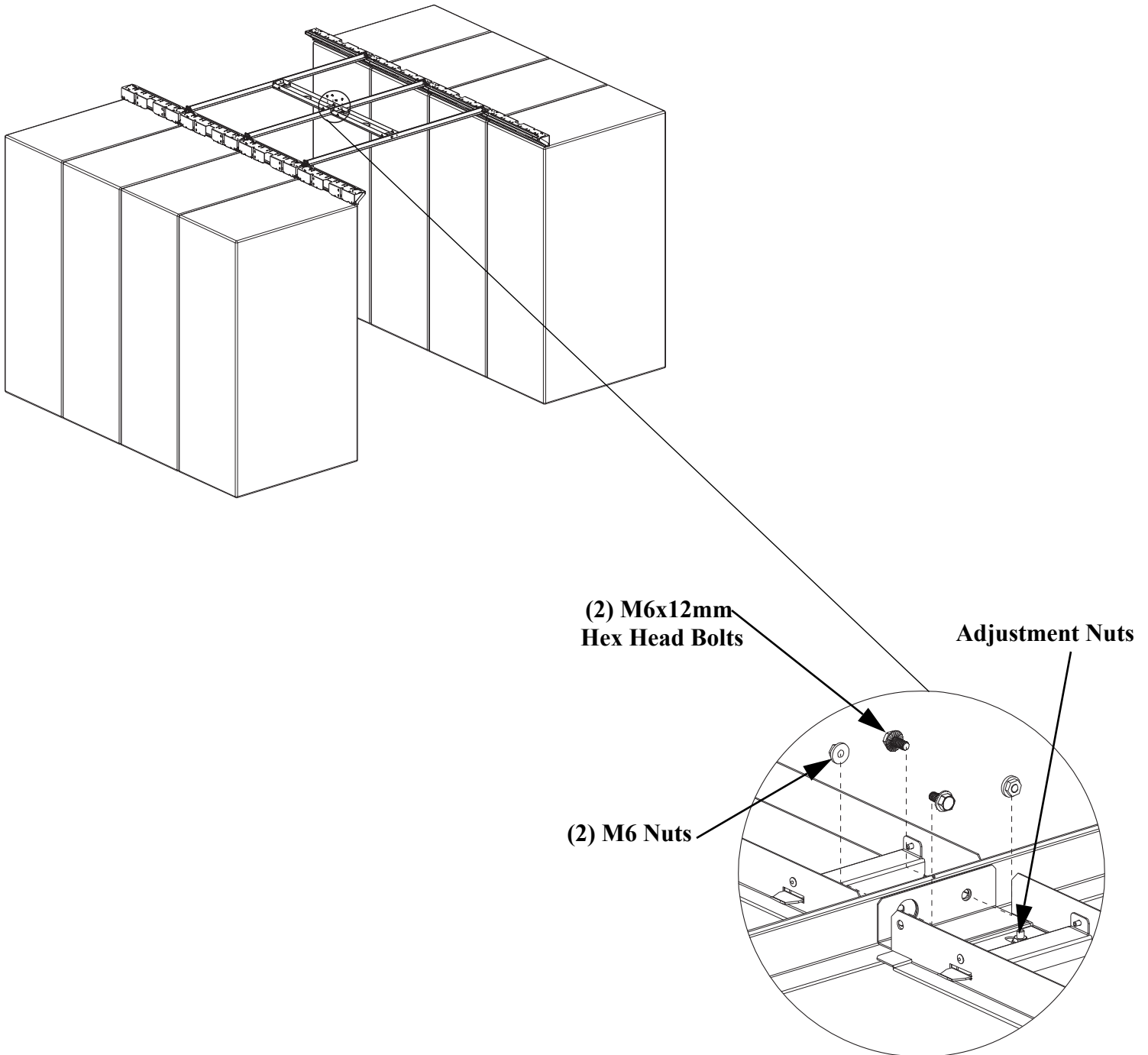
Ceiling Panel Stop Installation

- Attach (1) ceiling panel stop in between each set of Aisle Beams with (2) M6x12mm hex head bolts and (2) M6 nuts. (Leave loose)



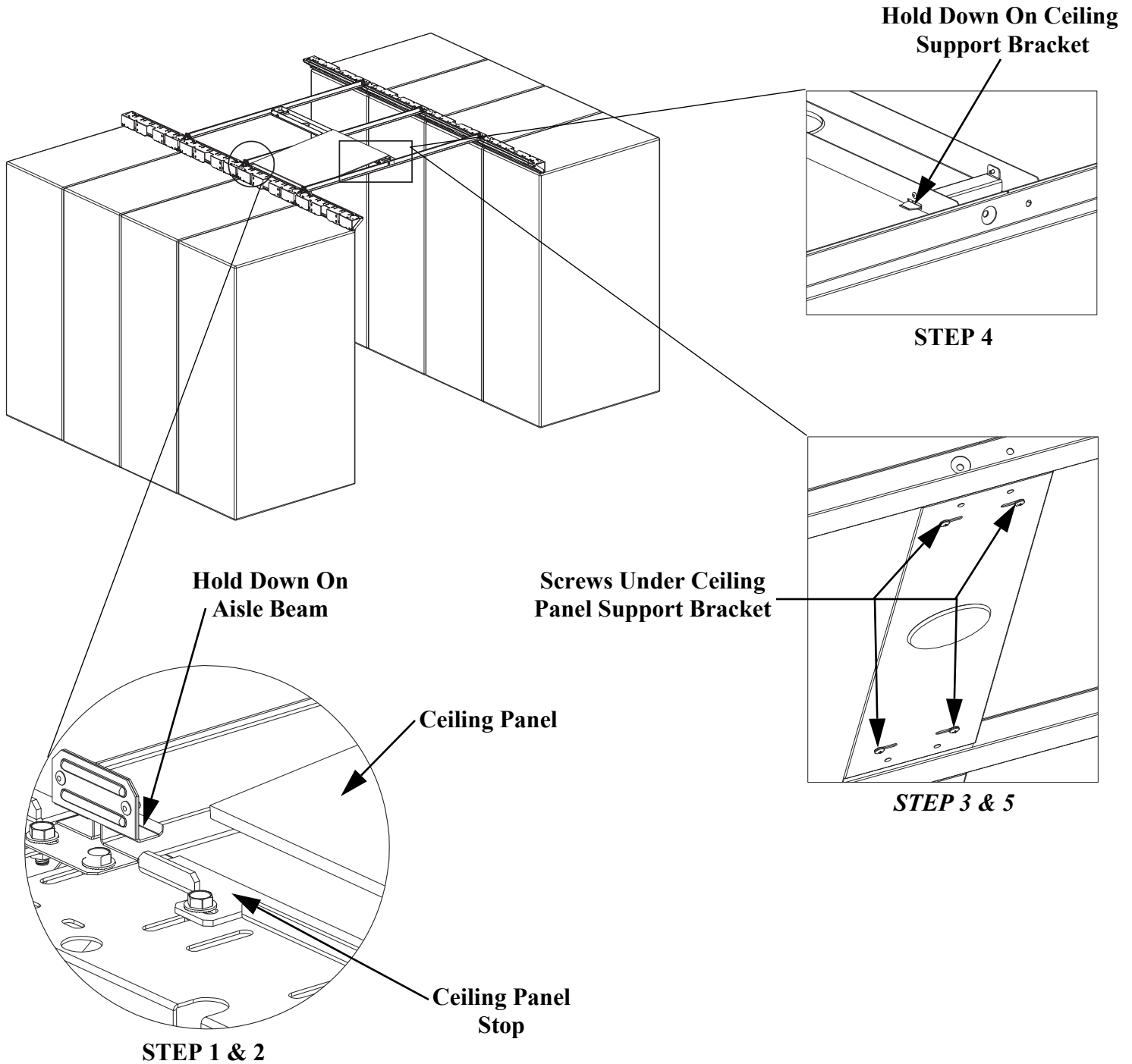
Ceiling Support Bracket Installation

- Place Ceiling Support Bracket in Alignment with holes in the Aisle Beams.
- Adjust width if needed using (2) adjustment nuts.
- Secure (2) Ceiling Support Brackets with (2) M6 x 12mm hex head bolts and (2) M6 nuts, as shown below.
- Repeat process for all Ceiling Support Brackets in the row.
- Support brackets at the end of the aisle will be installed after the End of Row Sliding Doors.



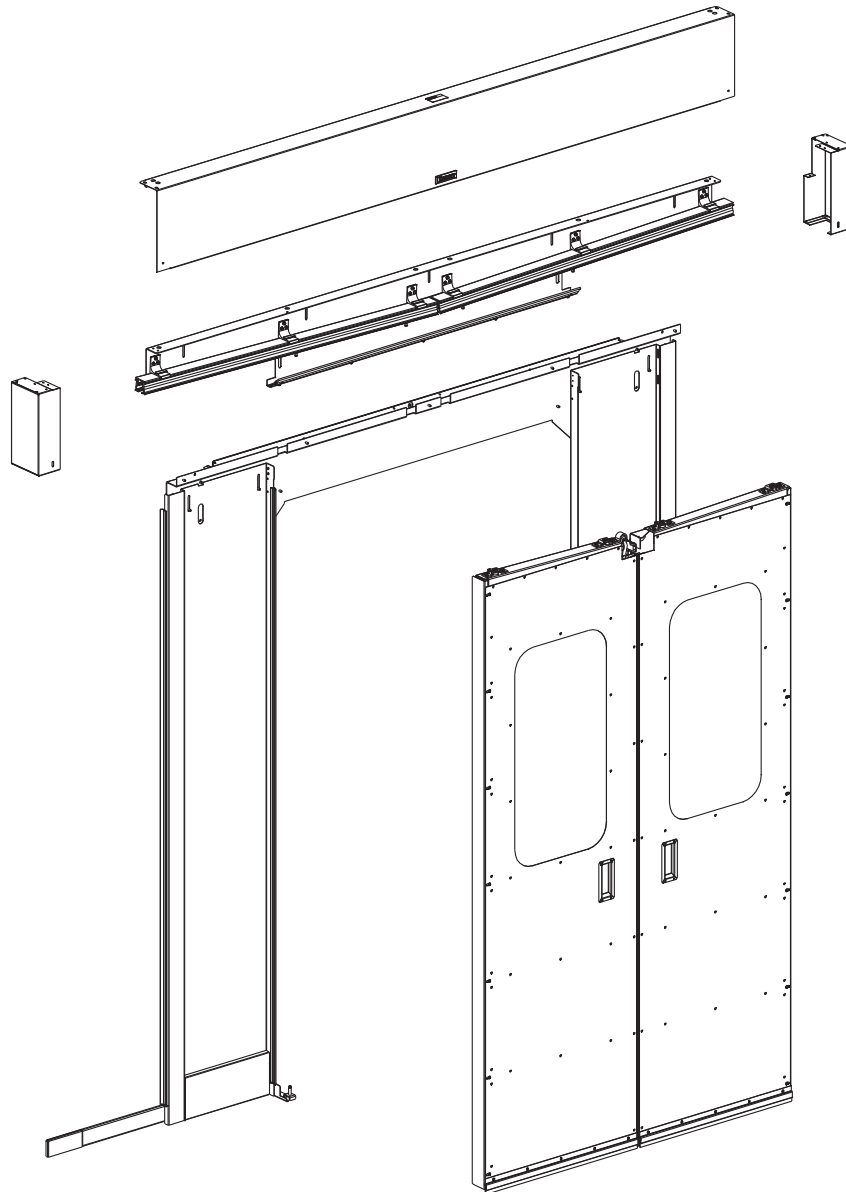
Ceiling Panel Installation

- Step 1: With Ceiling Panel on an angle, slide Ceiling Panel under hold down on Aisle Beam.
- Step 2: Slide Ceiling Panel Stop under Ceiling Panel holding Ceiling Panel in place.
- Step 3: Loosen screws under the bottom of the Ceiling Support Bracket.
- Step 4: Slide hold down on Ceiling Support Bracket over top of Ceiling Panel.
- Step 5: Tighten screws under Ceiling Support Bracket.



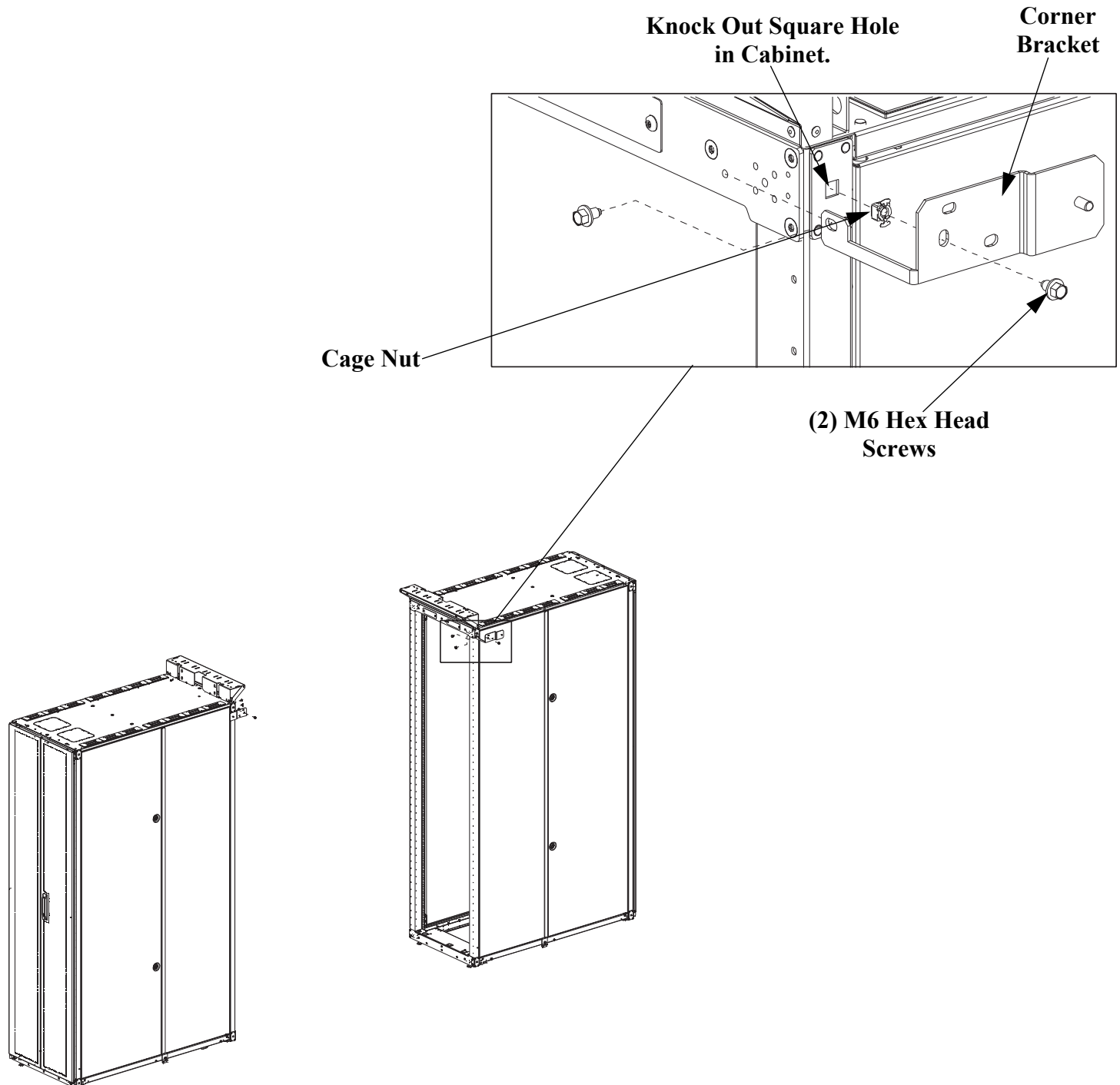
SECTION 3

INSTALLATION OF SLIDING DOORS C2CACT5F06DS** and C2CACT5F04DS**



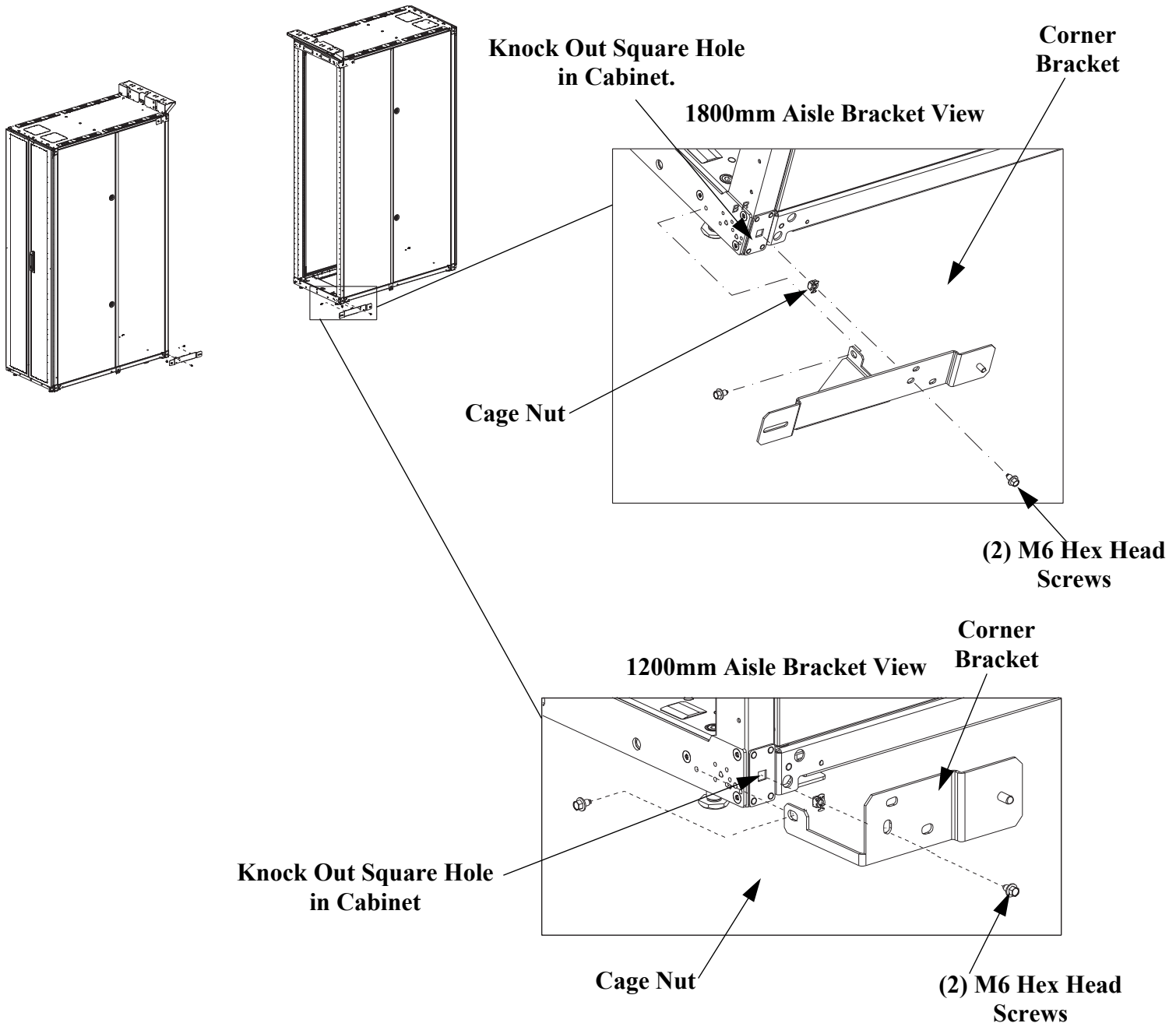
Attaching Corner Bracket on Top of Cabinet (For 42 RU and 45 RU S-Type Cabinets Only)

- Knock out square hole in cabinet.
- Insert cage nut into the square hole and rotate 45 degrees with screwdriver.
- Attach Corner Bracket to right hand cabinet with (2) M6 hex head screws.
- Repeat process for left hand cabinet. (Bracket for left cabinet is a mirror image of the bracket for the right cabinet.)
- **NOTE: IF THE SLIDING DOORS ARE BEING INSTALLED ON CABINETS THAT ARE NOT 42 RU OR 45 RU AN ADAPTER KIT IS REQUIRED. REFERENCE INSTALLATION INSTRUCTIONS PROVIDED WITH ADAPTER KIT TO COMPLETE THIS STEP.**



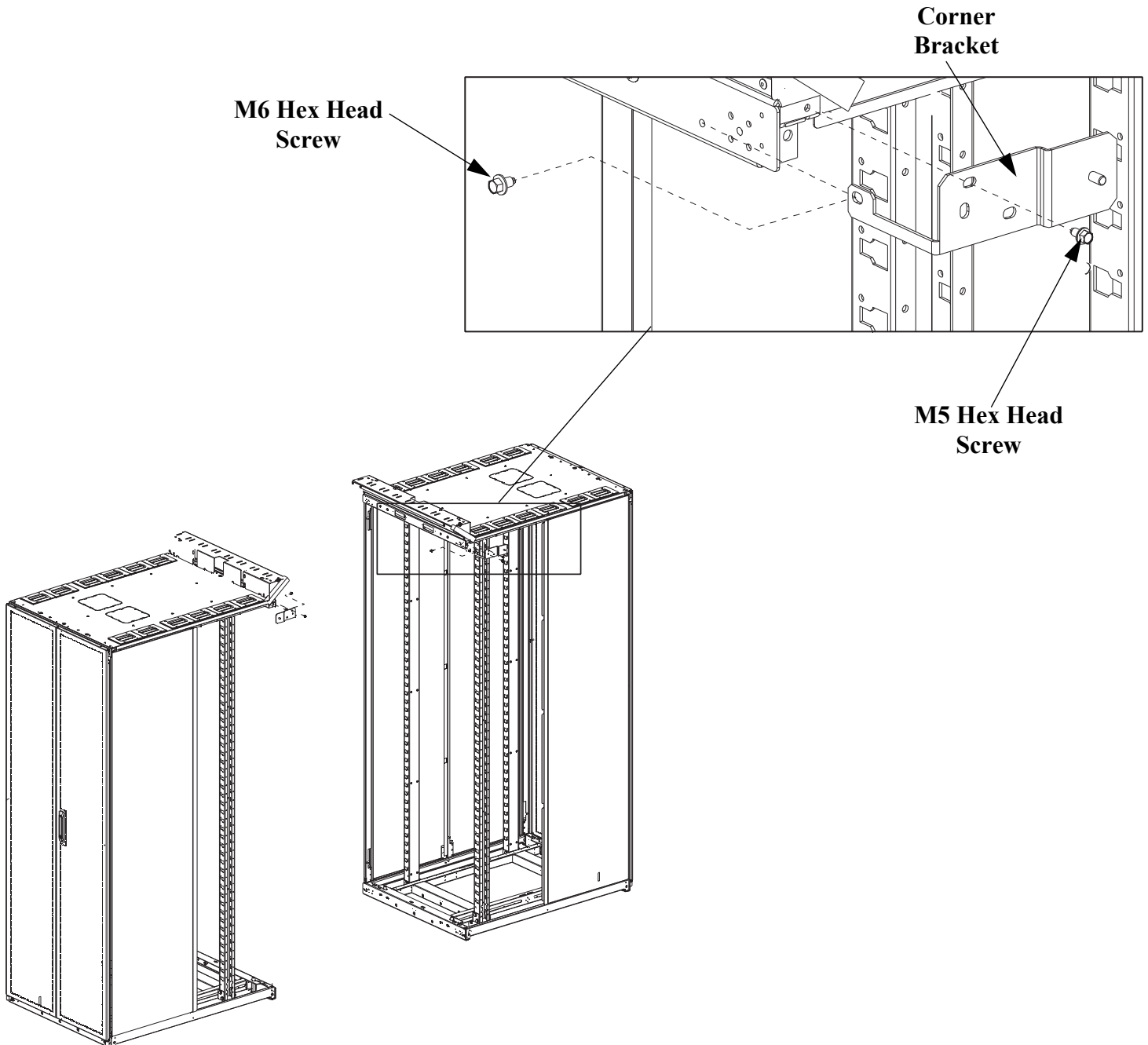
Bottom Bracket Installation (For S-Type Cabinets Only)

- Knock out square hole in cabinet.
- Insert cage nut into the square hole and rotate 45 degrees with a screwdriver.
- Attach Corner Bracket to right hand cabinet with (2) M6 hex head screws.
- Repeat process for left hand cabinet. (Bracket for left cabinet is a mirror image of the bracket for the right cabinet.)



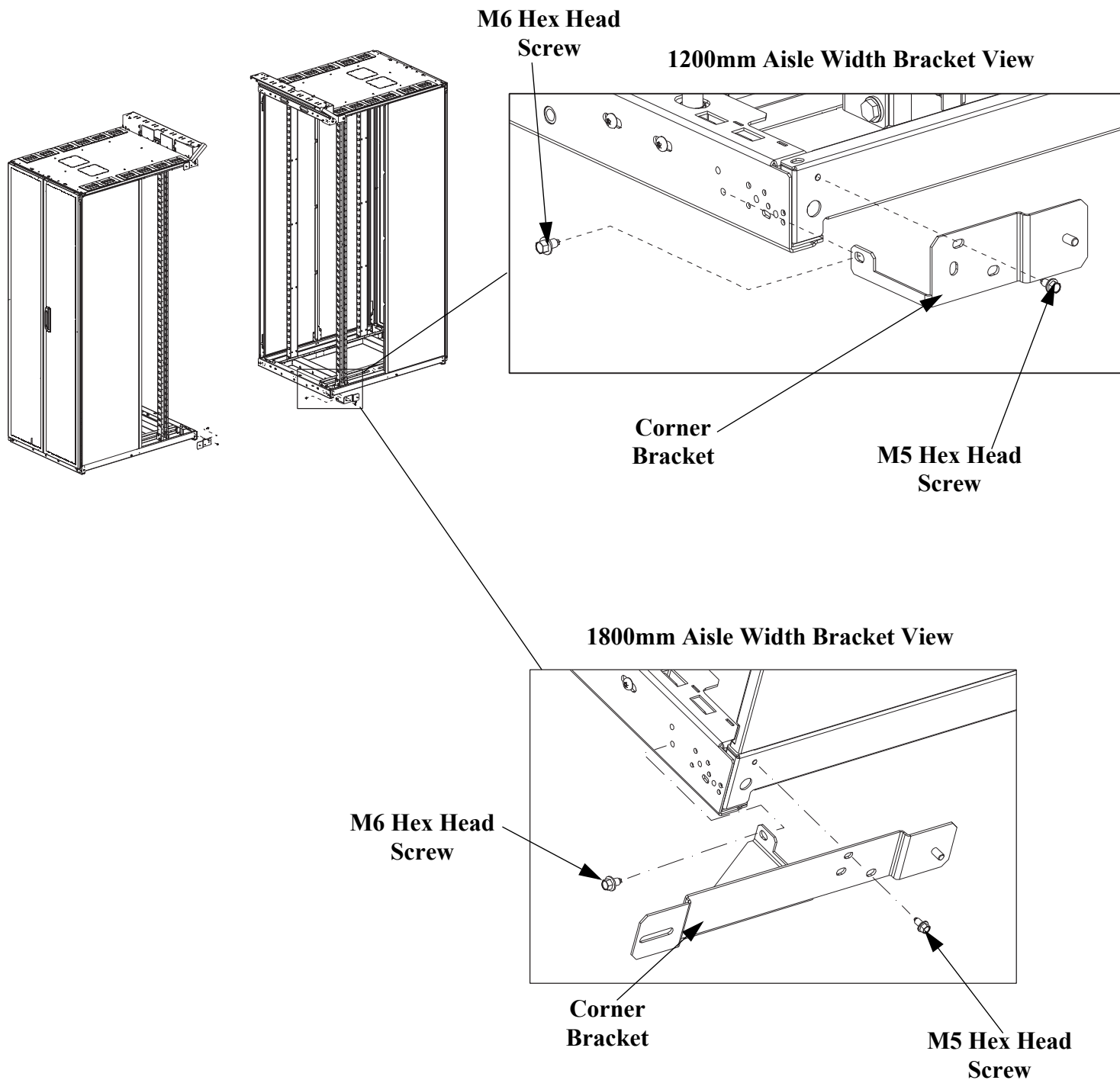
Attaching Corner Bracket on Top of Cabinet (For 42 or 45 RU N-Type Cabinets Only)

- Attach corner bracket to right hand cabinet with (1) M6 hex head screw and (1) M5 hex head screw.
- Repeat process for left hand cabinet. (Bracket for left cabinet is a mirror image of the bracket for the right cabinet.)
- Side panel and door not shown for viewing purposes only but need to be installed prior to sliding door *installation*.
- **NOTE: IF THE SLIDING DOORS ARE BEING INSTALLED ON CABINETS THAT ARE NOT 42 RU OR 45 RU AN ADAPTER KIT IS REQUIRED. REFERENCE INSTALLATION INSTRUCTIONS PROVIDED WITH ADAPTER KIT TO COMPLETE THIS STEP.**



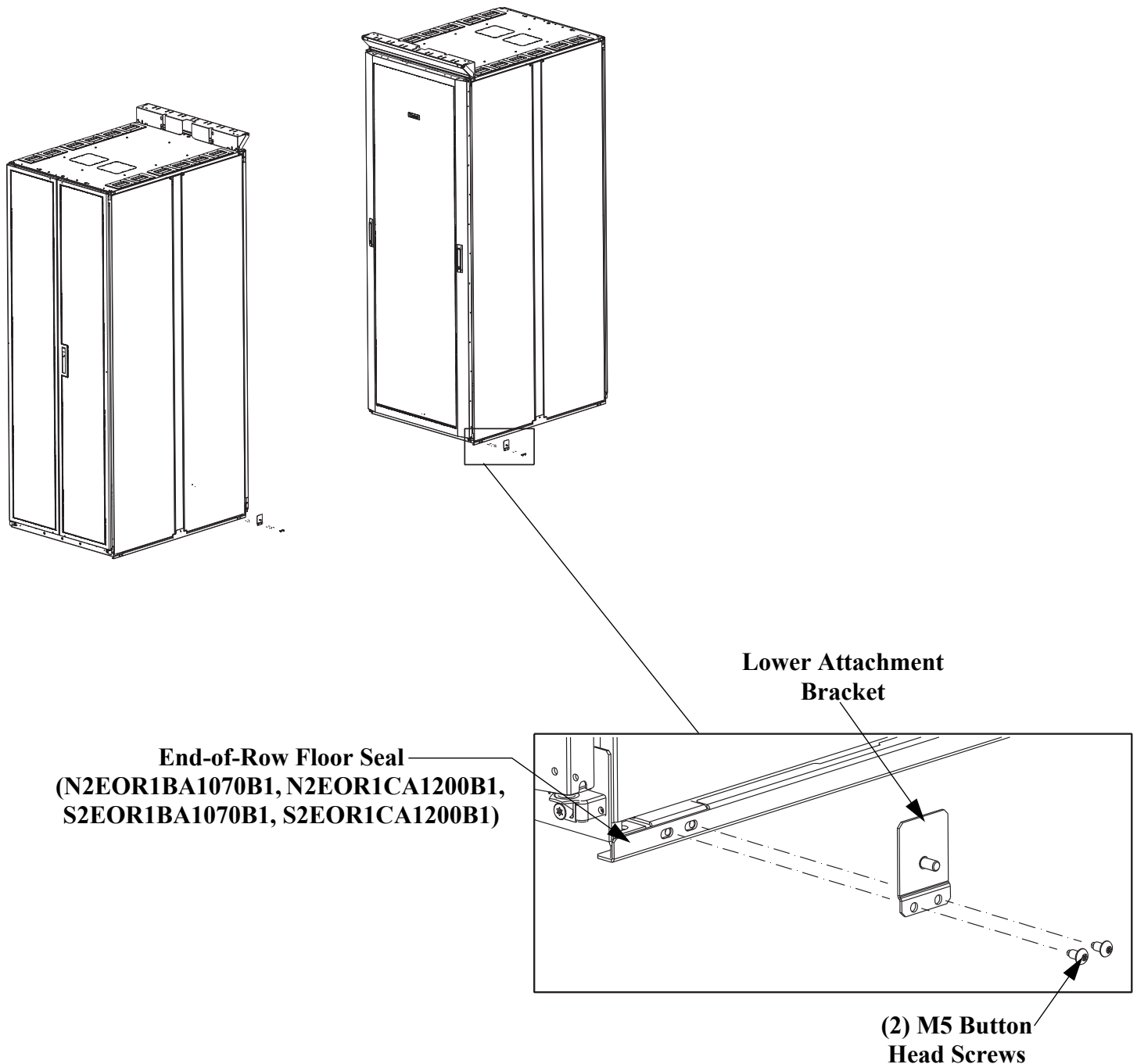
Bottom Bracket Installation (For N-Type Cabinets Only with Standard Side Panel)

- Attach Lower Corner Bracket to right hand cabinet with (1) M5 hex head and (1) M6 hex head screw.
- Repeat process for left hand cabinet. (Bracket for left cabinet is a mirror image of the bracket for the right cabinet.)
- Side Panel and door removed for viewing purposes only.



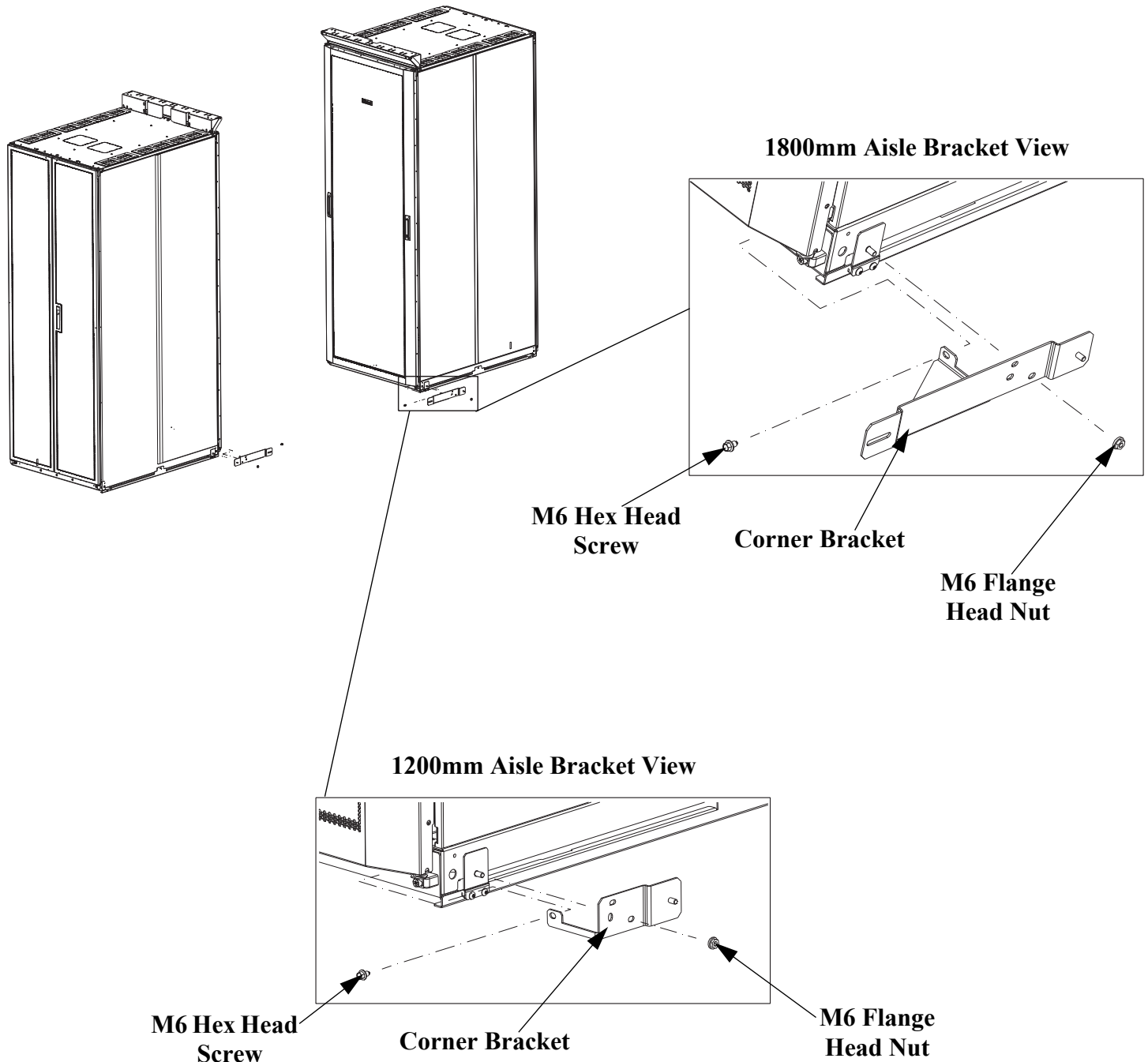
Securing Lower Attachment Bracket to Cabinet (Only for N-Type Cabinets with End-of-Row Side Panels)

- Remove (2) M5 button head screws from floor seal on right hand cabinet.
- Secure Lower Attachment Bracket to floor seal on right hand cabinet using the (2) M5 button head screws from previous step.
- Repeat process for left hand cabinet.



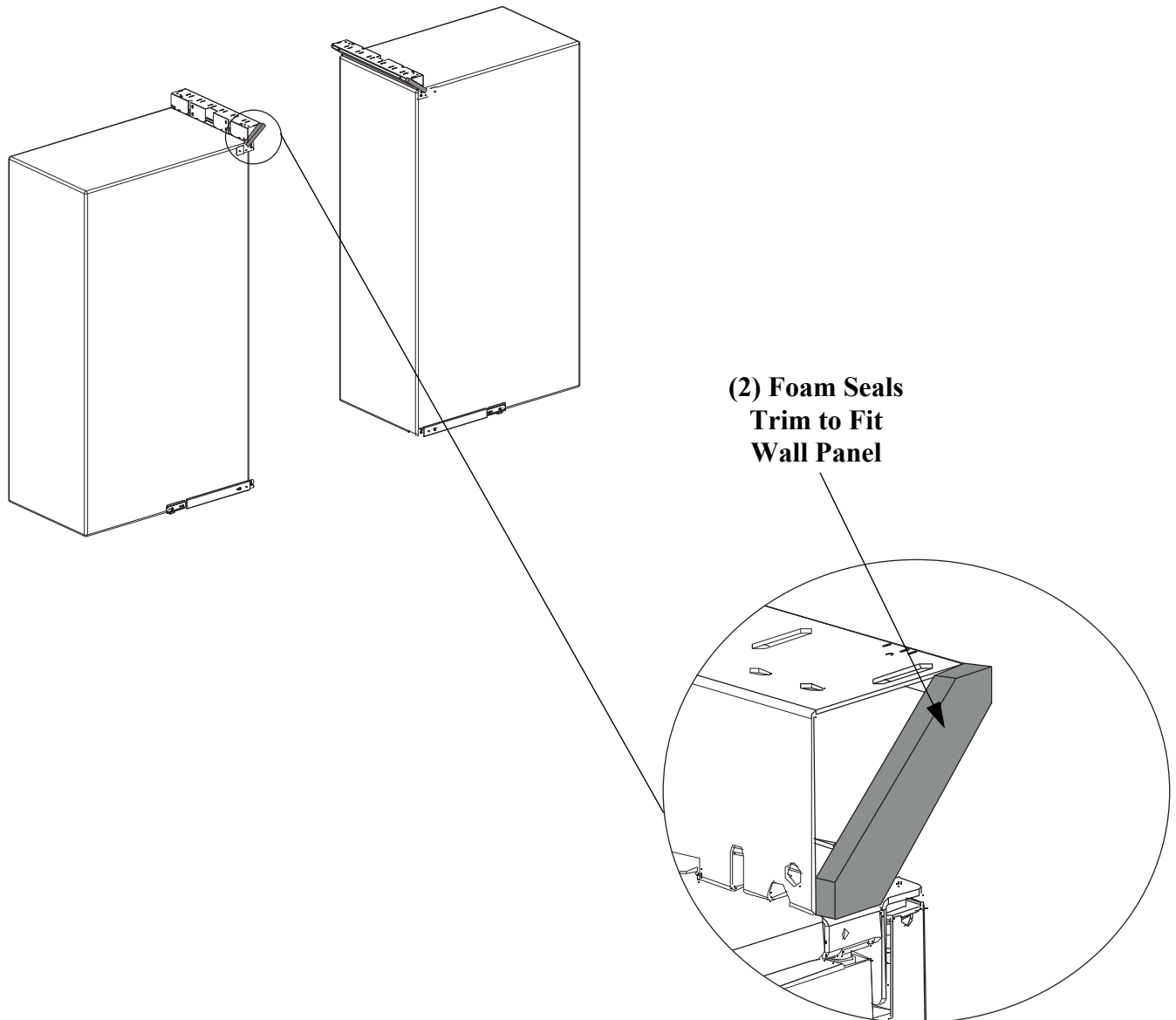
Bottom Bracket Installation (Only for N-Type Cabinets with End-of-Row Side Panels)

- Attach Corner Bracket by sliding lower right slot over pem stud on Lower Attachment Bracket.
- Secure Corner Bracket with (1) M6 hex head screw and (1) M6 flange head nut.
- Repeat process for left hand side. (Bracket for left cabinet is a mirror image of the bracket for the right cabinet.)



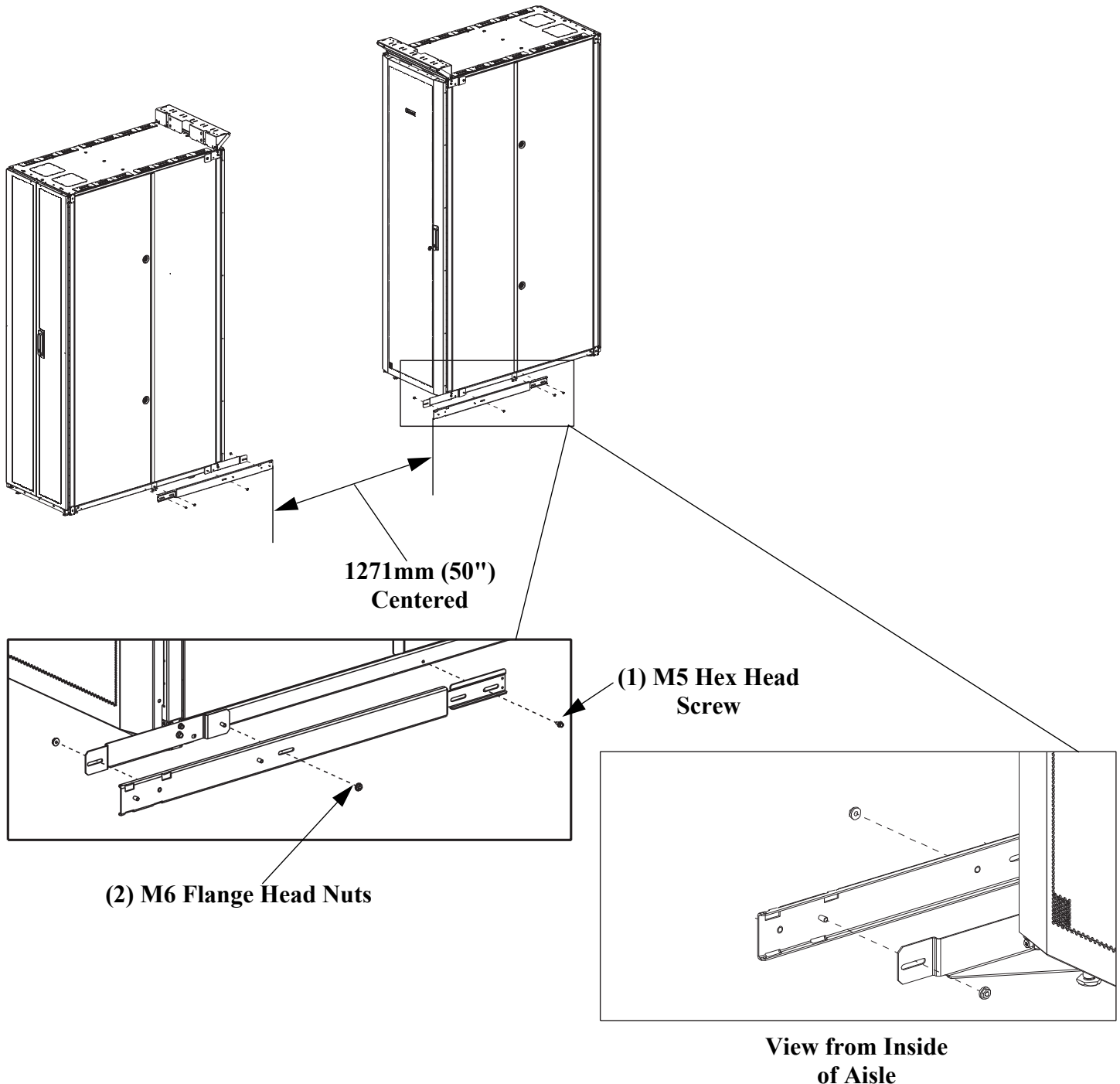
Foam Seal Installation

- Trim (2) pieces of Foam Seal to Fit Wall Panel.
- Add a (1) piece of 25mm x 25mm Foam Seal to the end of each Wall Panel.



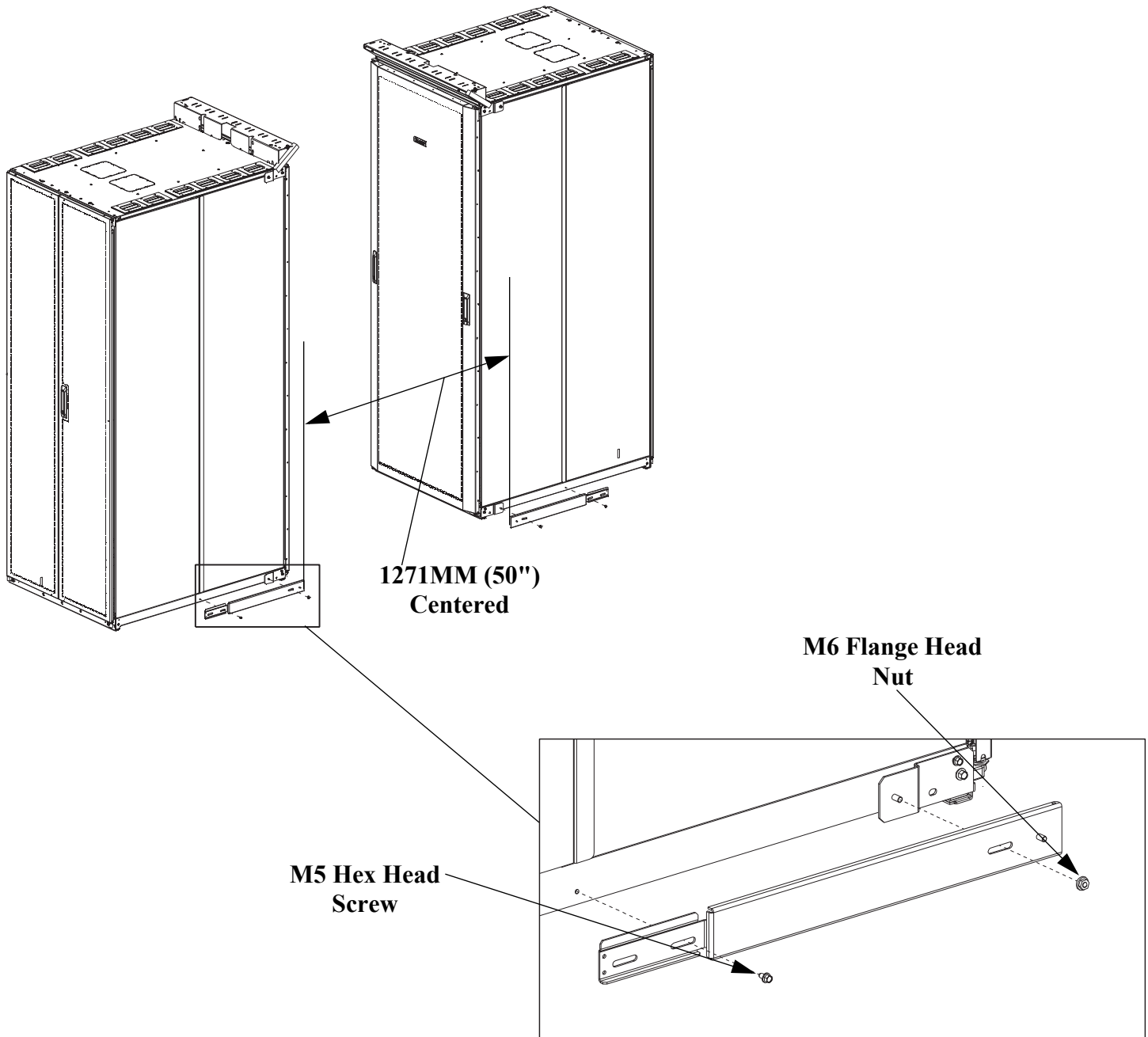
Attaching Lower Bracket (For 1800mm Aisle Width Only)

- Attach Right Hand Lower Bracket to Right Hand Lower Corner Bracket with (2) M6 flange head nuts. (Do Not Tighten Yet.)
- Secure Right Hand Lower Bracket to right hand cabinet with (1) M5 hex head screw. (Do Not Tighten Yet.)
- Repeat process for left hand door.
- NOTE: Left and Right hand brackets must be spaced 1271mm (50") apart so that space between brackets is centered between the two cabinets. After adjusting spacing tighten brackets into place.



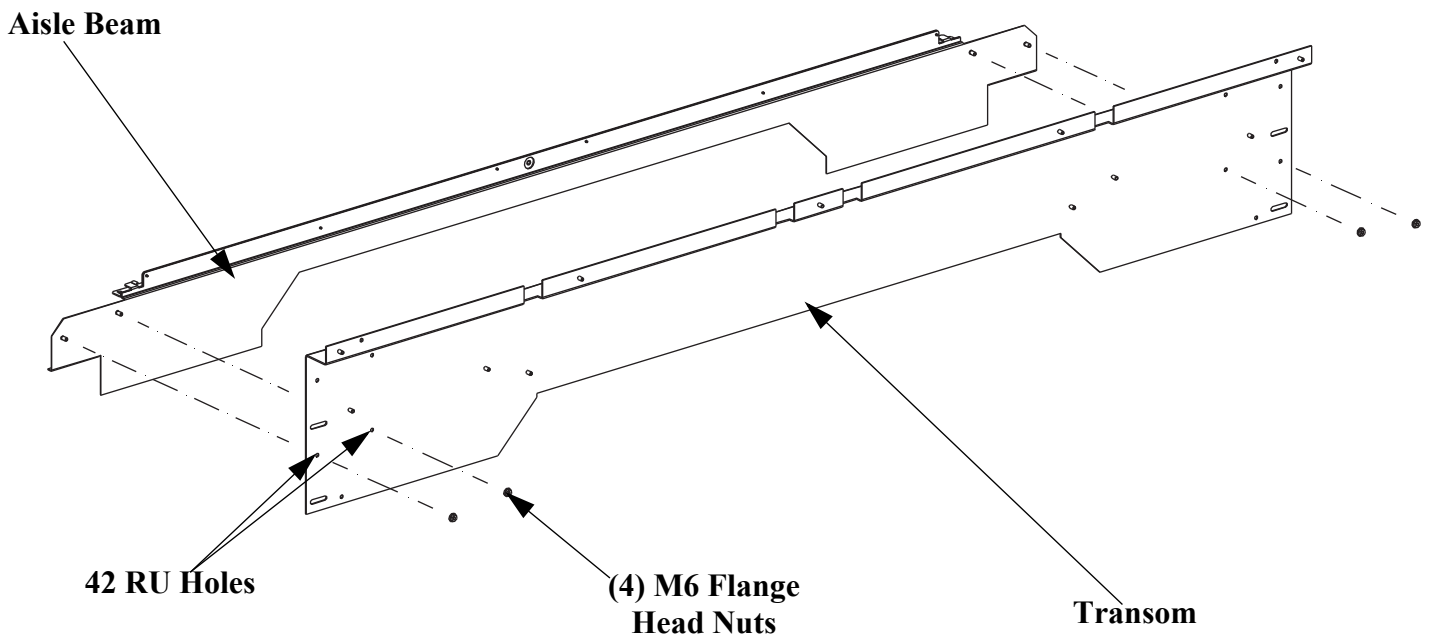
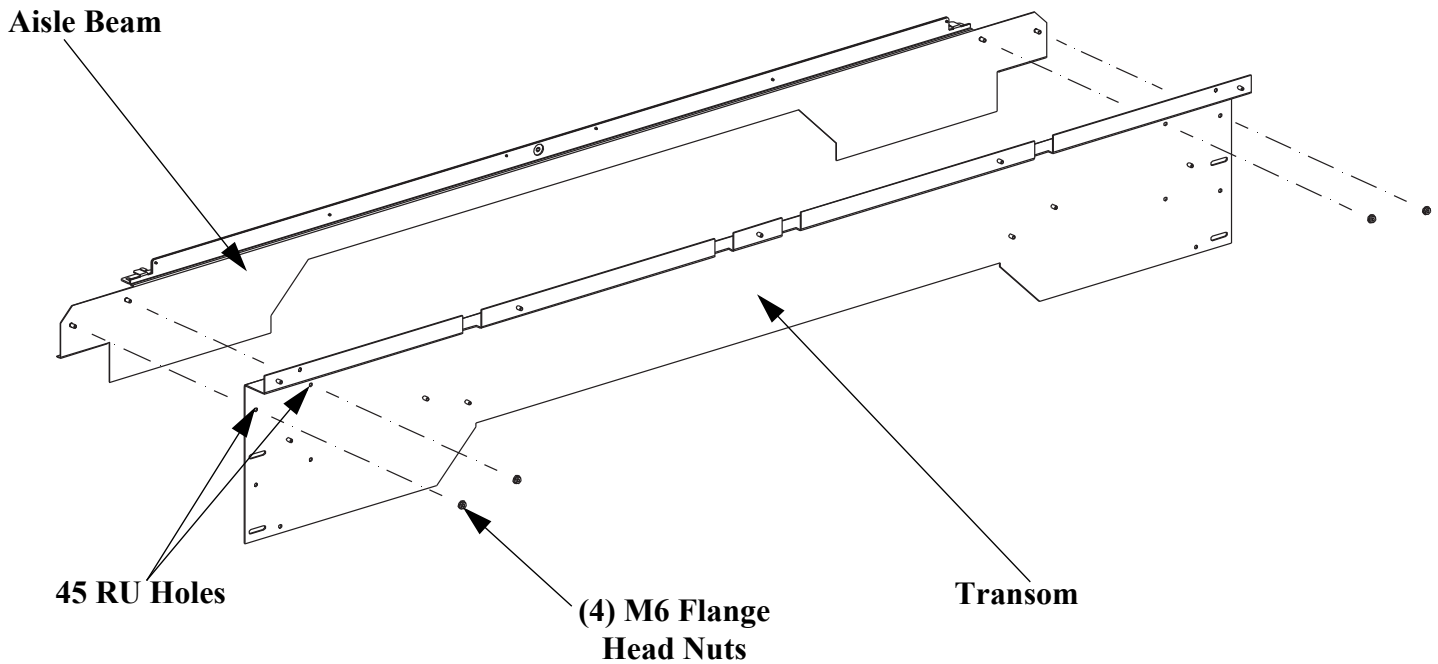
Attaching Lower Bracket (For 1200mm Aisle Only)

- Attach Left Hand Lower Bracket to Lower Left hand Corner Bracket with (1) M6 flange head nut. (Do Not Tighten Yet.)
- Secure Left Hand Lower Bracket to left hand cabinet with (1) M5 hex head screw. (Do Not Tighten Yet.)
- Repeat process for right hand cabinet.
- NOTE: Left and Right hand brackets must be spaced 1271mm (50") apart so that space between brackets is centered between the two cabinets. After adjusting spacing tighten brackets into place.



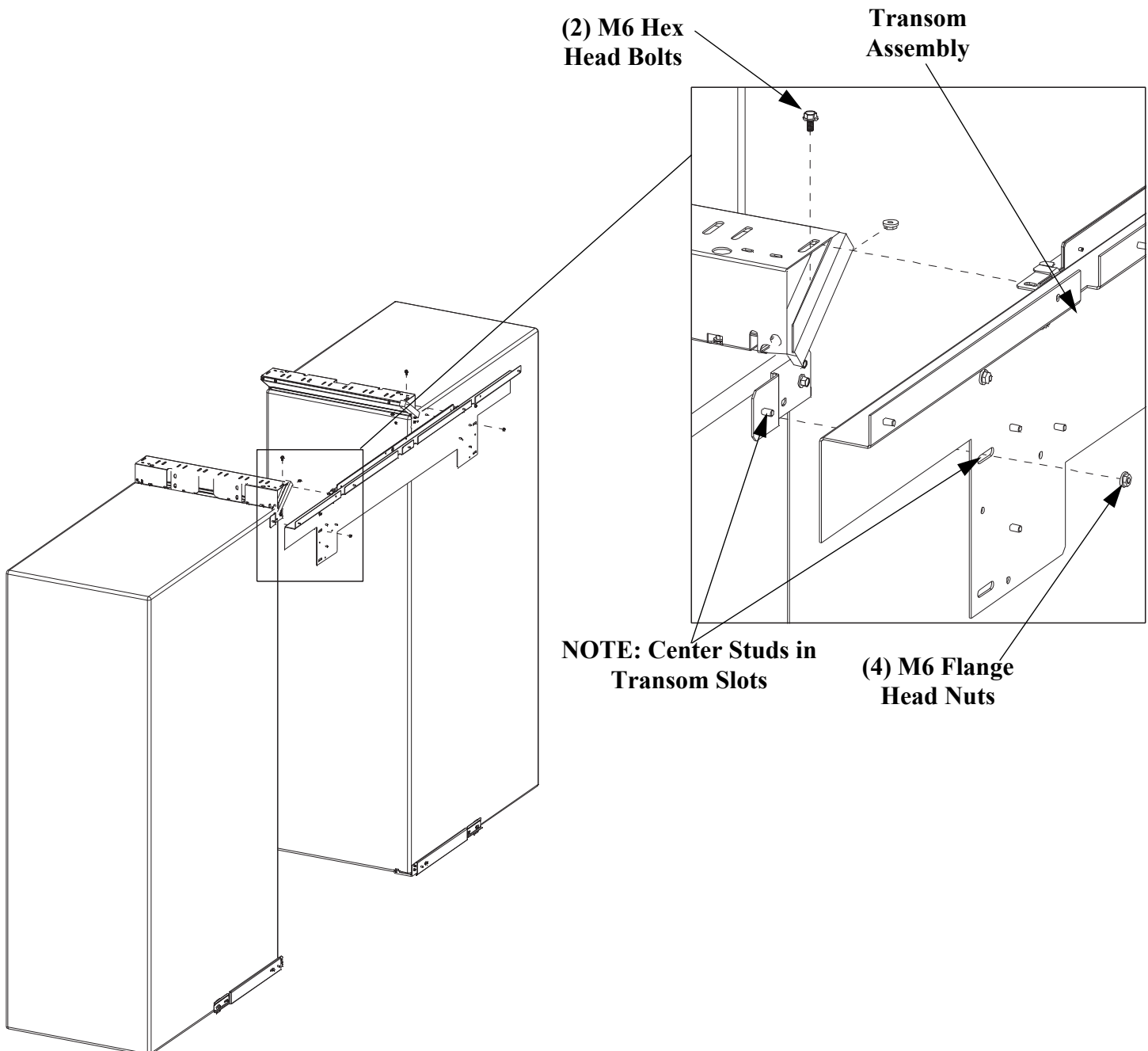
Attaching Transom to Aisle Beam (For 42 or 45 RU Cabinets Only)

- Attach Transom to Aisle Beam by passing (4) studs on the Aisle Beam through holes on the Transom.
- Secure Transom to Aisle Beam with (4) M6 flange head nuts.
- NOTE: Use slots on top of Transom for 45RU cabinets and slots on bottom of Transom for 42RU cabinets.
- **NOTE: IF THE SLIDING DOORS ARE BEING INSTALLED ON CABINETS THAT ARE NOT 42 RU OR 45 RU AN ADAPTER KIT IS REQUIRED. REFERENCE INSTALLATION INSTRUCTIONS PROVIDED WITH ADAPTER KIT TO COMPLETE THIS STEP.**



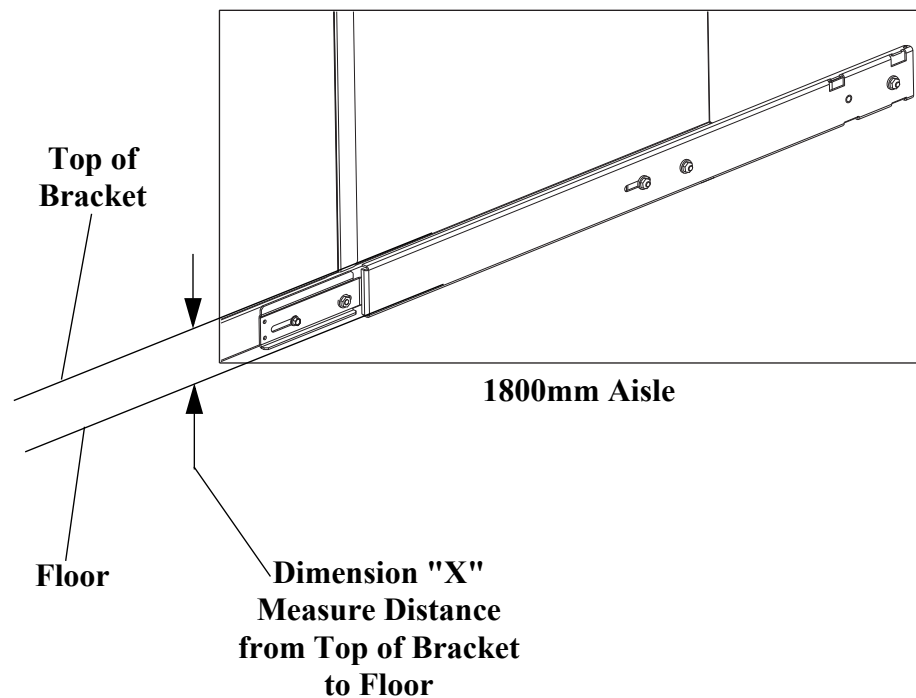
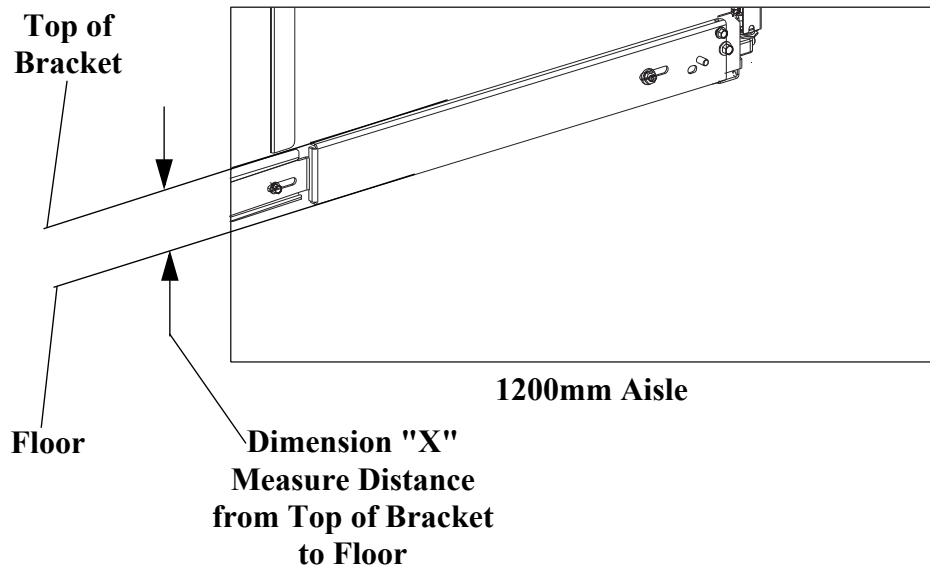
Attaching Transom Assembly (For 42 or 45 RU Cabinets Only)

- Place Aisle Beam section of Transom Assembly on top of Wall Panels sliding studs on the Upper Corner Brackets through slots.
- Attach Aisle Beam section of Transom Assembly to Wall Panels with (2) M6 hex head bolts and (2) M6 flange head nuts.
- Secure Transom Assembly to Upper Corner Brackets with (2) M6 flange head nuts.
- NOTE: Center Studs in Slots in Transom.
- **NOTE: IF THE SLIDING DOORS ARE BEING INSTALLED ON CABINETS THAT ARE NOT 42 RU OR 45 RU AN ADAPTER KIT IS REQUIRED. REFERENCE INSTALLATION INSTRUCTIONS PROVIDED WITH ADAPTER KIT TO COMPLETE THIS STEP.**



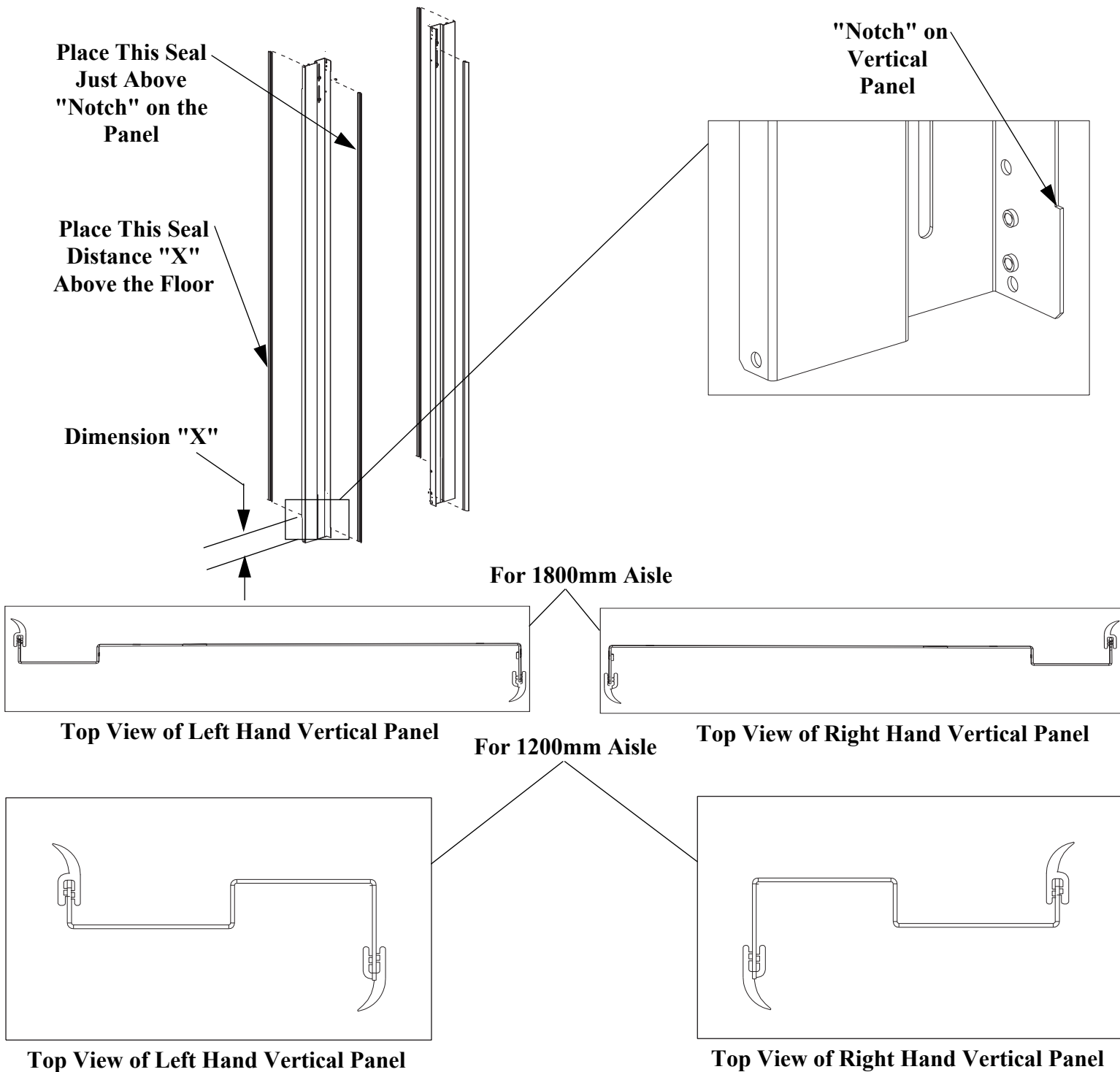
Measuring Dimension "X" for Flap Seal Installation

- Before installing Flap Seal onto vertical Panels measure the distance from the top of the Bottom Bracket to the floor.



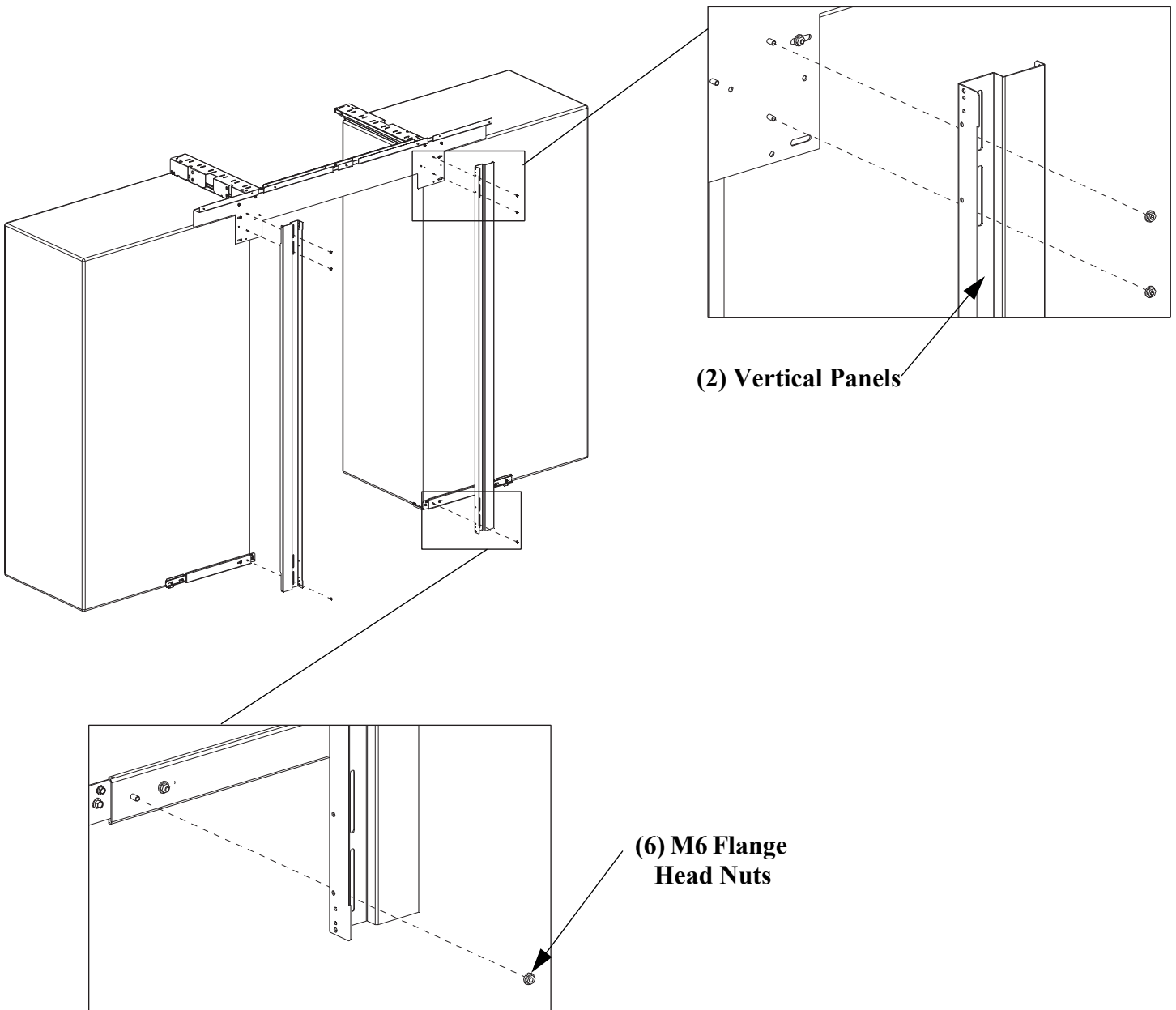
Flap Seal Installation

- Attach a strip of Flap Seal to inner flange of Vertical Panel so that the bottom is just above the notch on the panel.
- Attach another strip of Flap Seal to the outer flange of the Vertical Panel so that it is distance "X" above of the floor. (See Page 35)



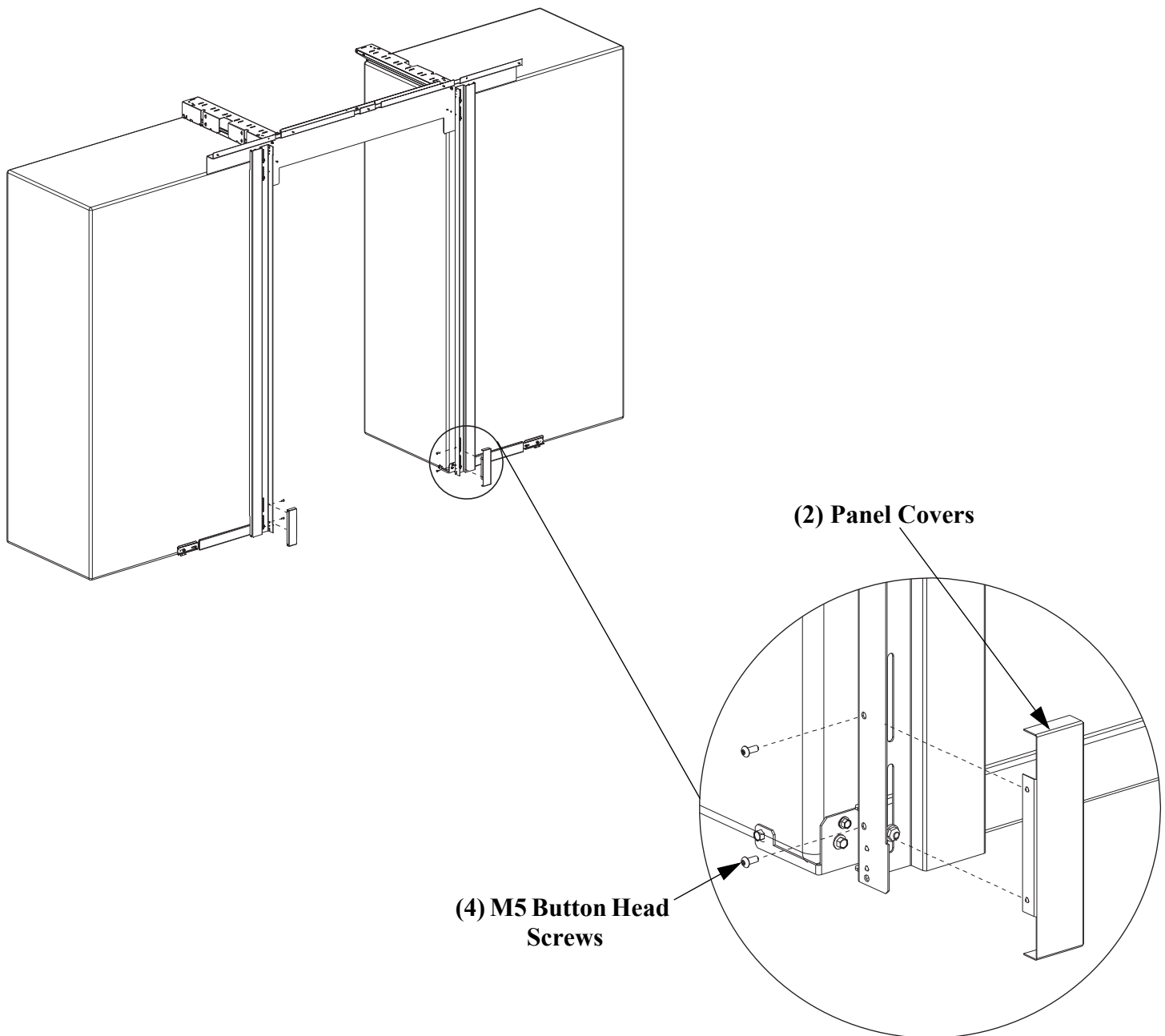
Vertical Panel Installation (For 1200 mm Aisle Only)

- On right side of cabinet slide slots in Vertical Panel over studs on the Transom Assembly and Lower Bracket.
- Secure Vertical Panel in place with (3) M6 flange Head nuts.
- Repeat steps for left side of cabinet.
- Using level check for Vertical Panels are perfectly vertical. If not vertical adjust lower brackets. (Page 32)



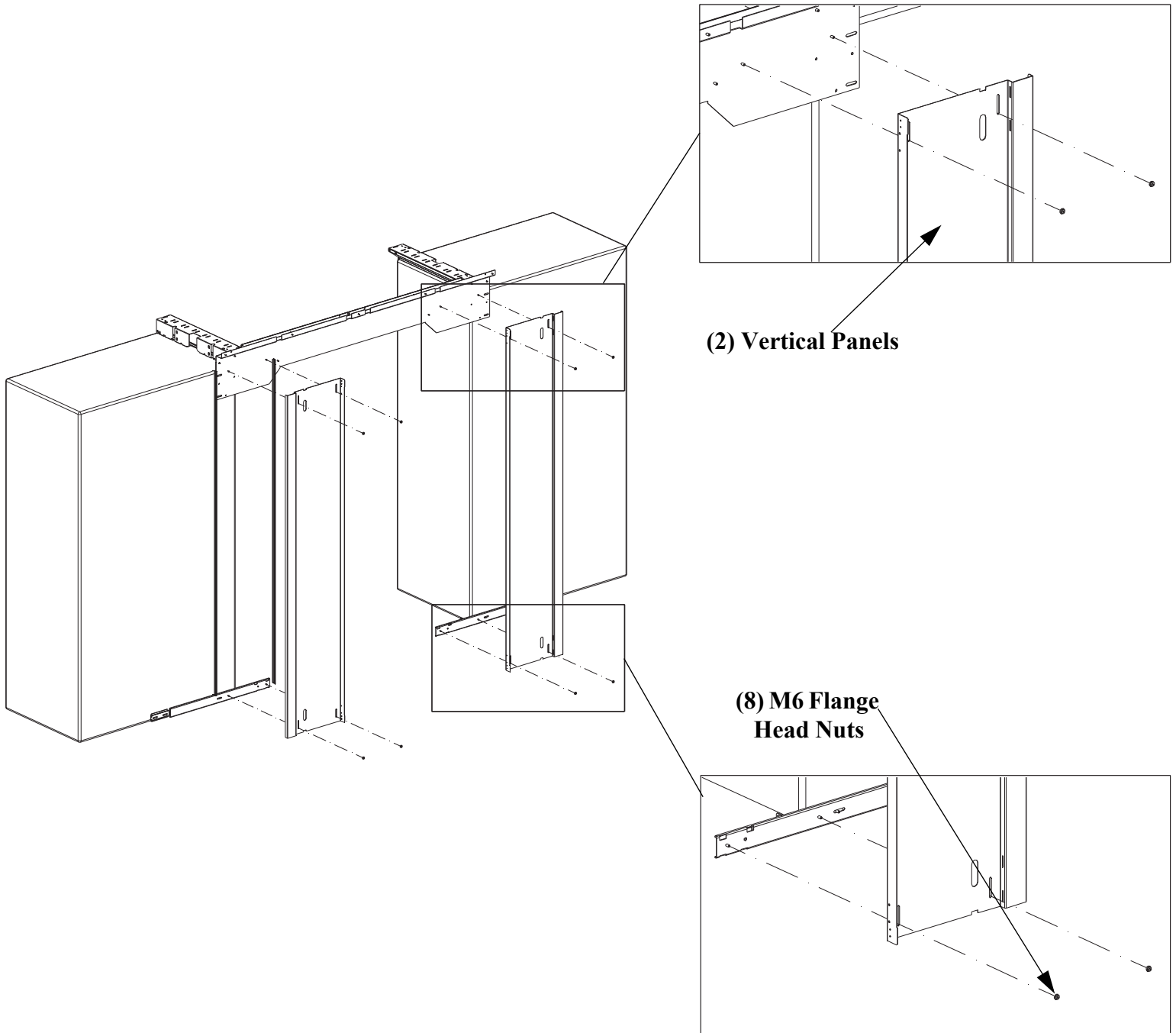
Panel Cover Installation (For 1200 mm Aisle Only)

- Attach (1) Panel Cover to each Vertical Panel with (2) M5 button head screws each.



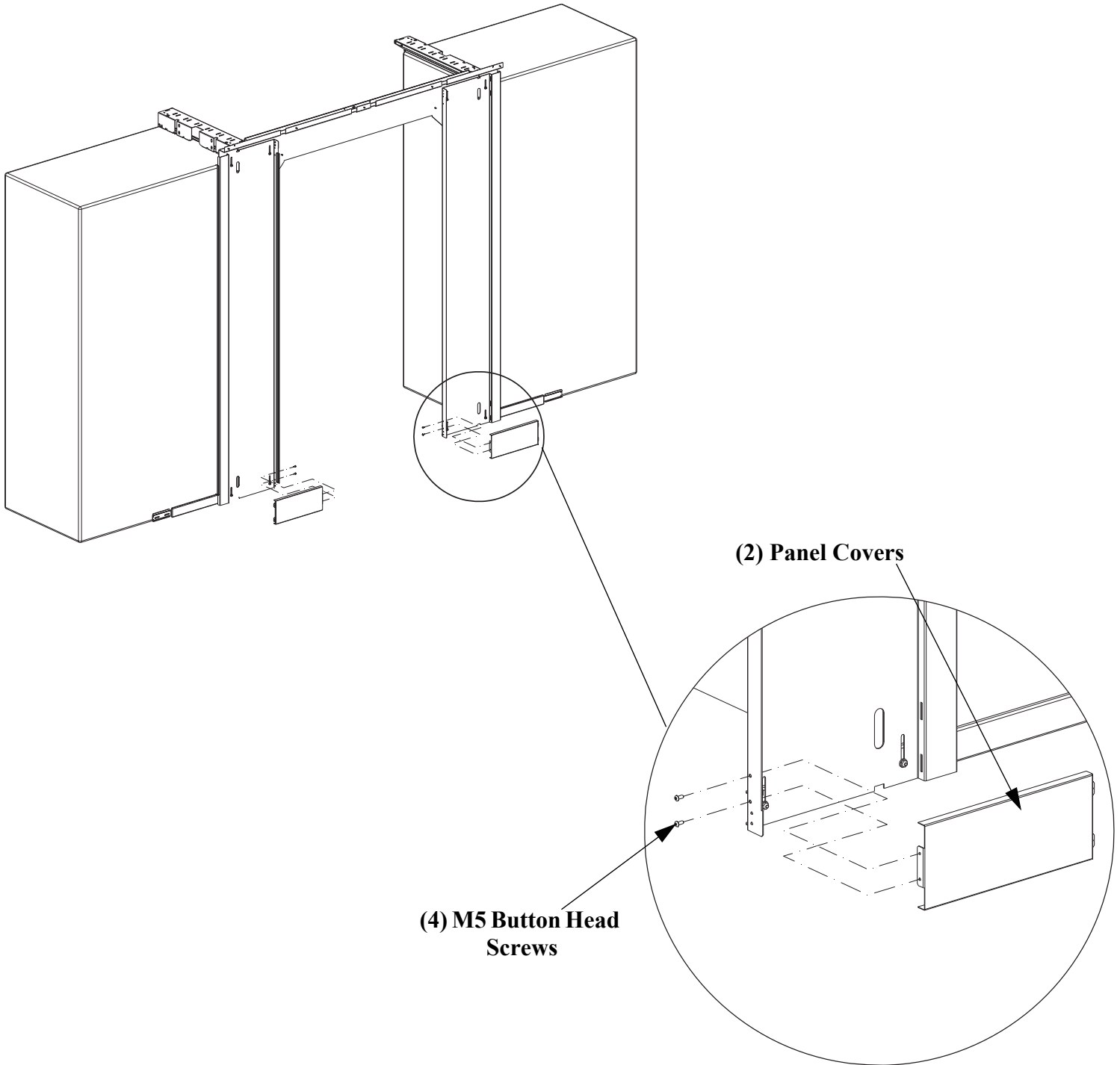
Vertical Panel Installation (For 1800 mm Aisle Only)

- On right side of cabinet slide slots in Vertical Panel over studs on the Transom Assembly and Lower Bracket.
- Secure Vertical Panel in place with (4) M6 flange Head nuts.
- Repeat steps for left side of cabinet.
- Using level check for Vertical Panels are perfectly vertical. If not vertical adjust lower brackets. (Page 31)



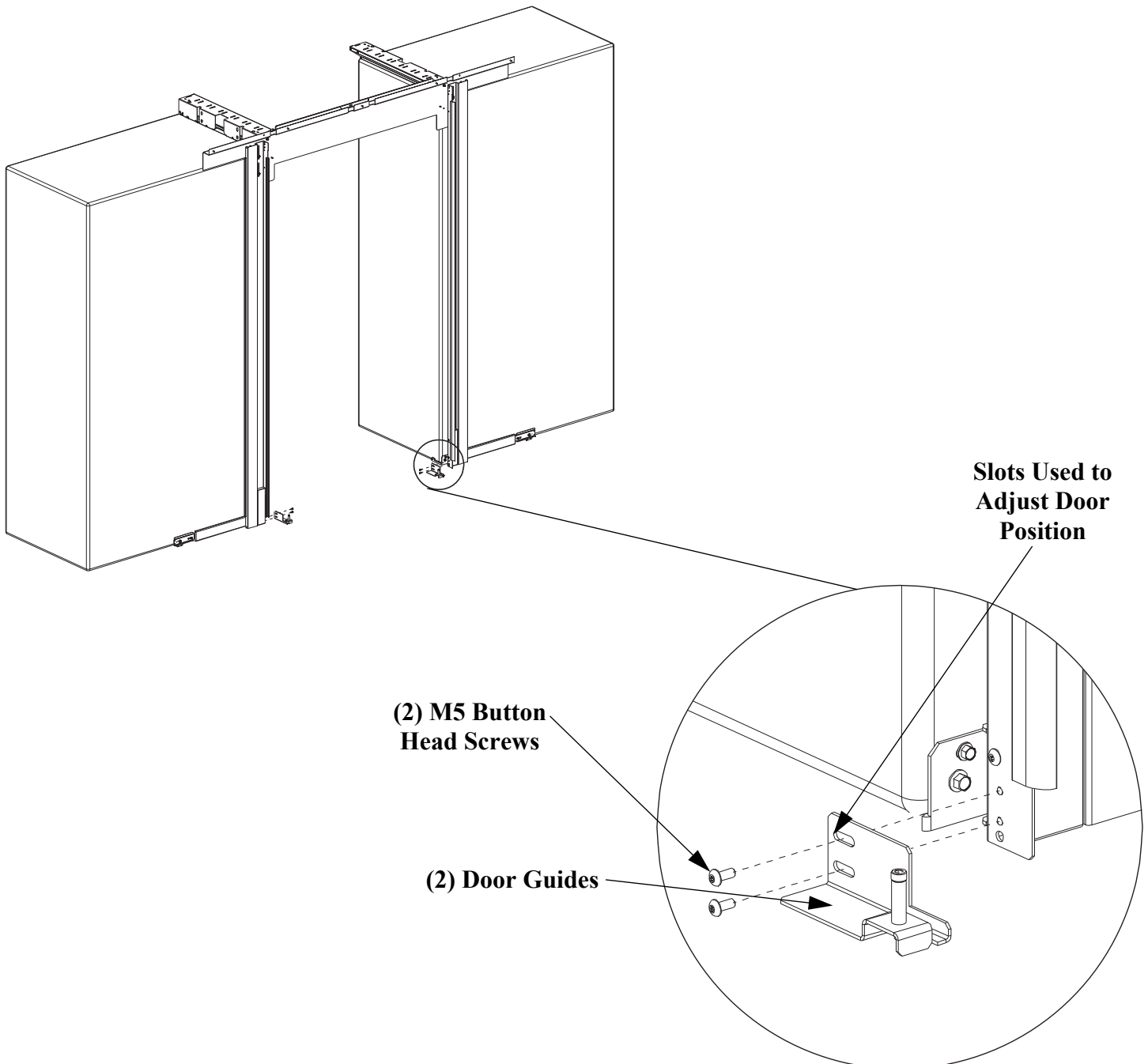
Panel Cover Installation (For 1800 mm Aisle Only)

- Attach (1) Panel Cover to each Vertical Panel with (2) M5 button head screws each.



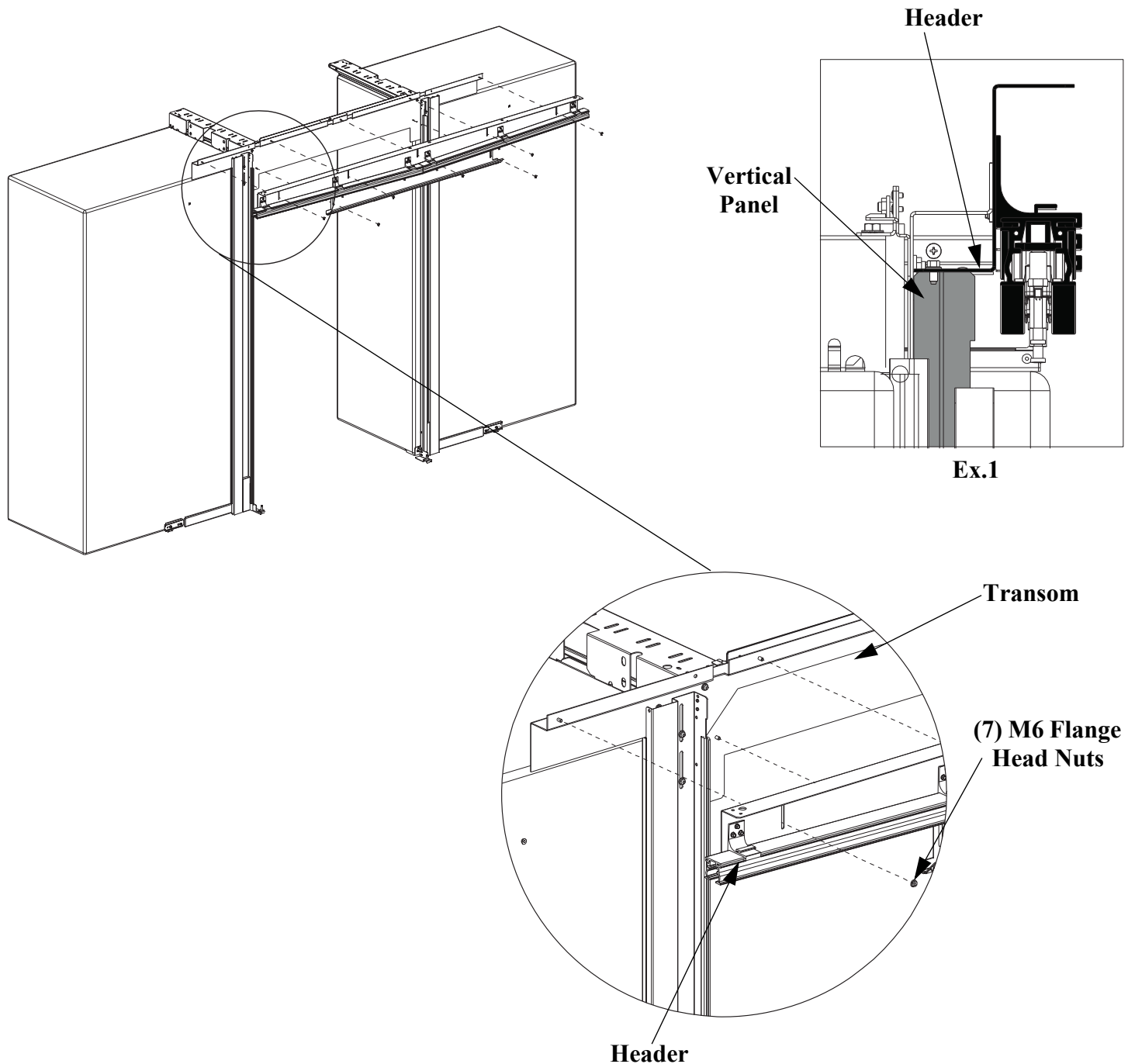
Attaching Door Guides

- Attach right hand Door Guide to right hand Vertical Panels with (2) M5 button head screws. (Leave Screws Loose)
- Repeat process for left hand side.



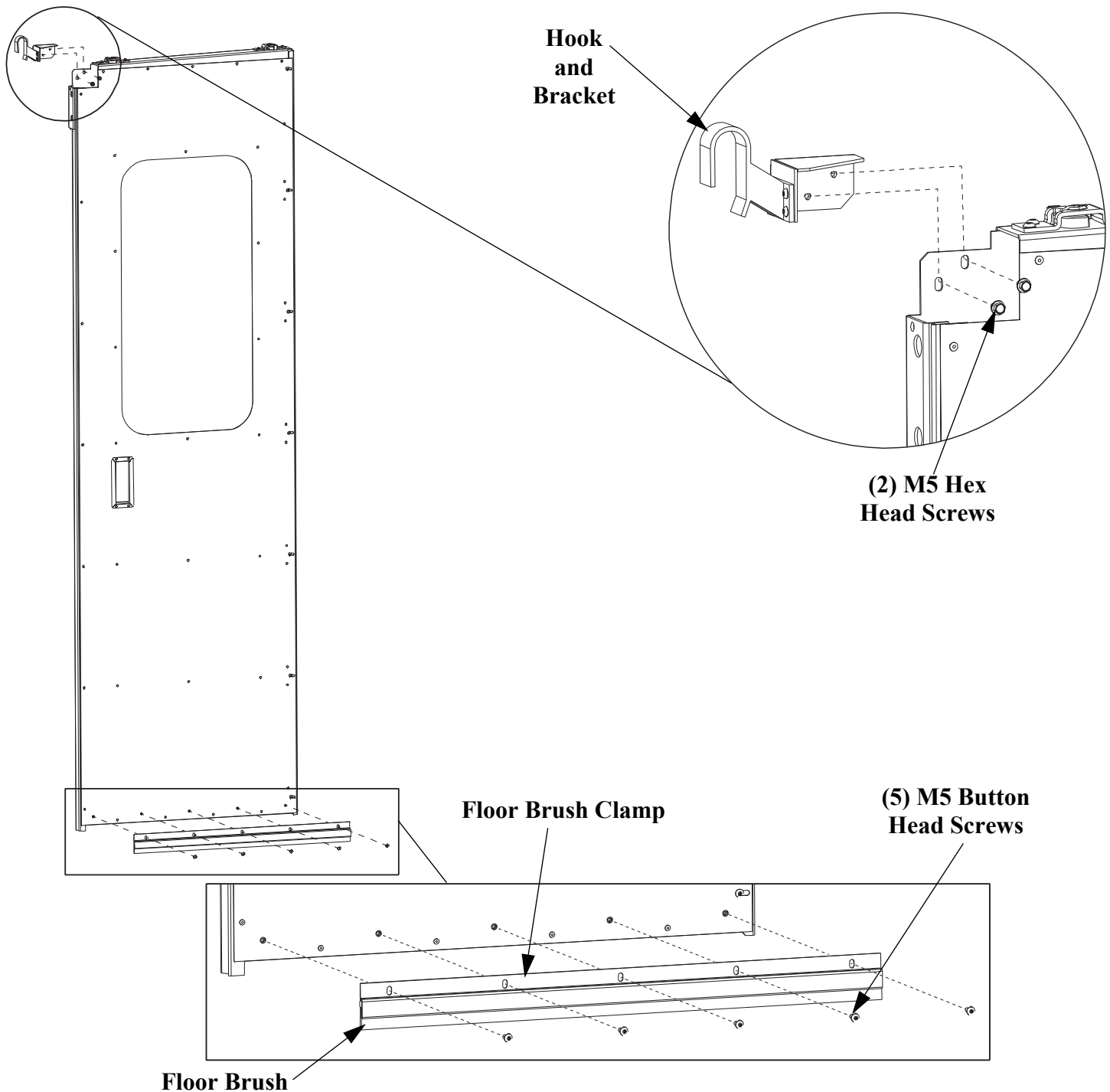
Header Installation

- Slide Header onto (7) studs on Transom Assembly.
- Slide Header down until it rests on top of the Vertical Panels. (Ex.1)
- Secure Header to Transom Assembly with (7) M6 flange nuts.



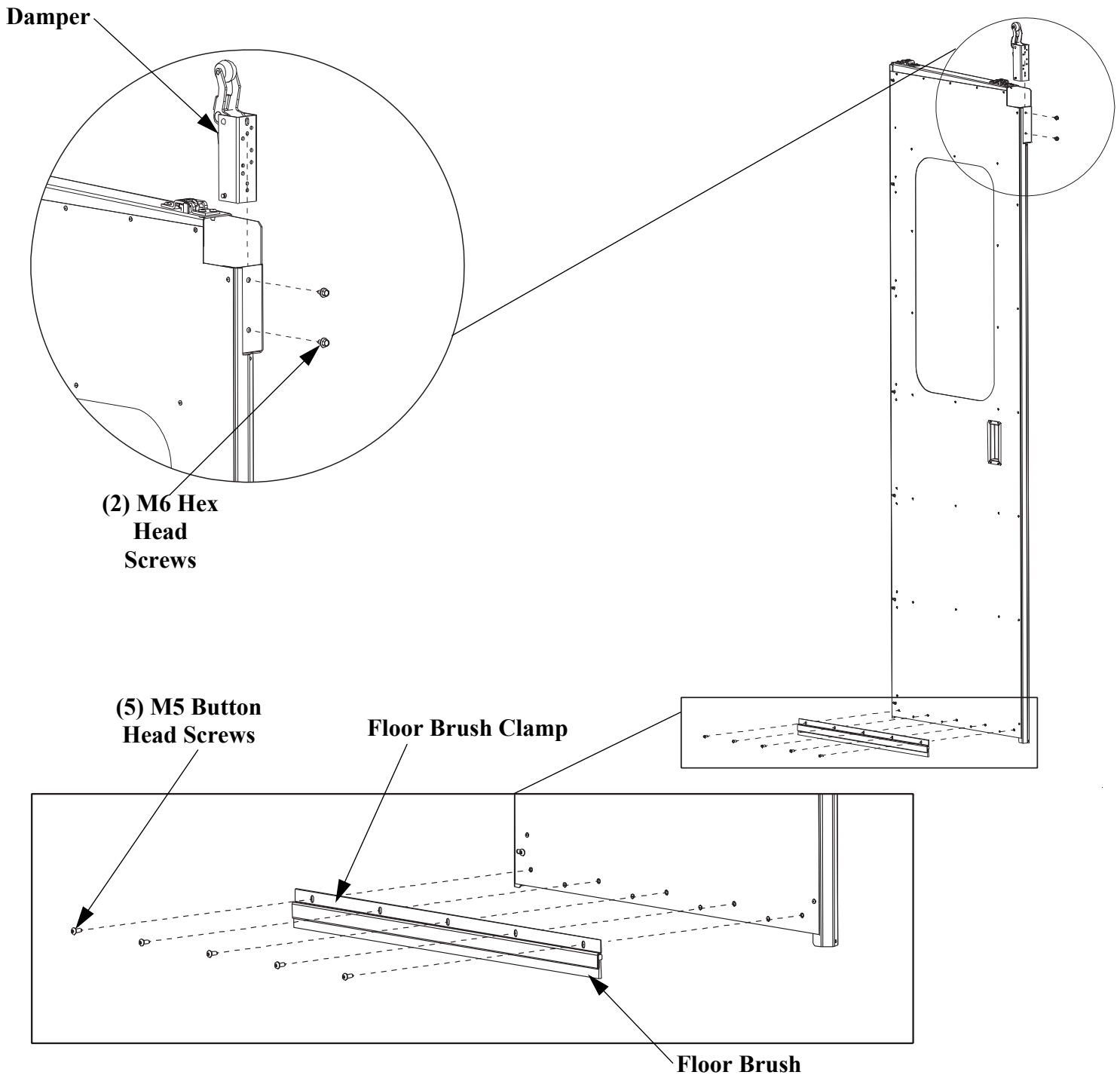
Right Hand Sliding Door Set-Up

- Attach Hook and Bracket to right hand door using (2) M5 hex head screws.
- Attach Floor Brush and Floor Brush Clamp to right hand door with (5) M5 button head screws.



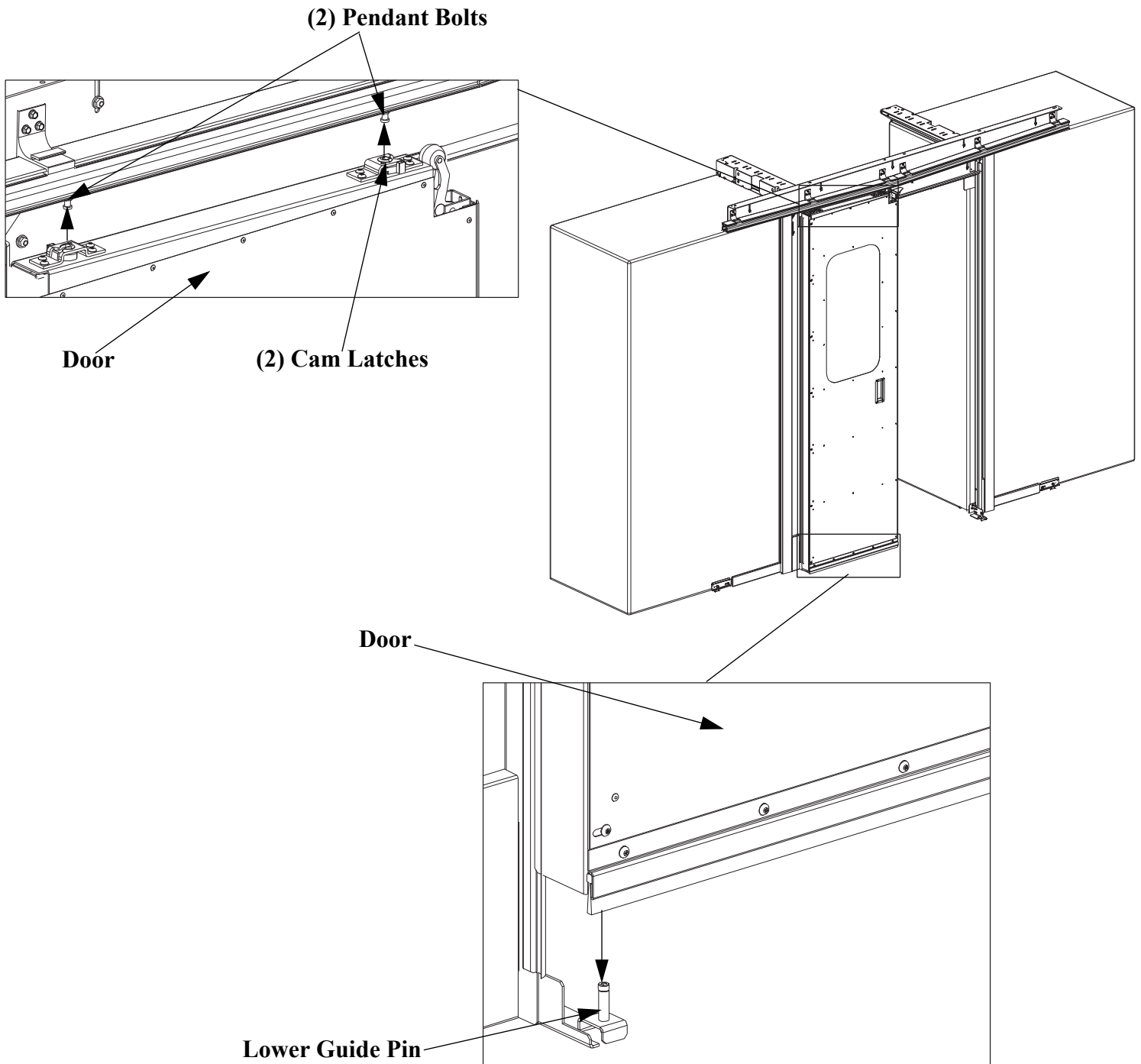
Left Hand Sliding Door Set-Up

- Attach Damper to left hand door with (2) M6 hex head screws.
- Attach Floor Brush and Floor Brush Clamp to left hand door with (5) M5 button head screws.



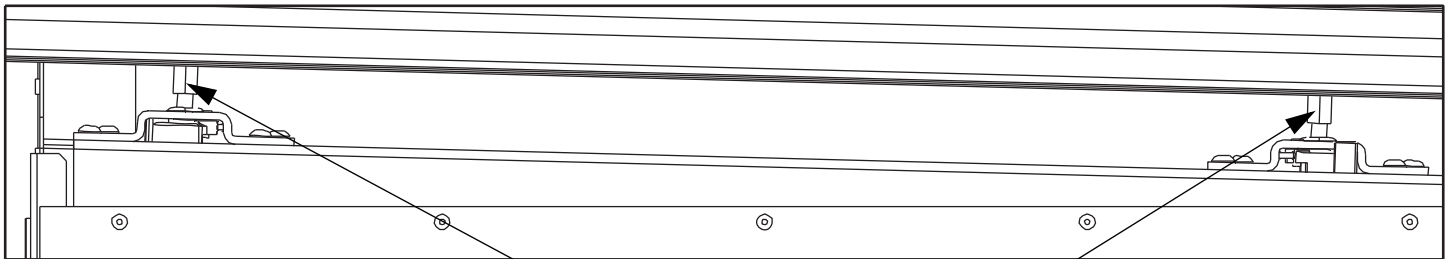
Sliding Door Installation

- Open Cam Latches on top of doors.
- Lift door and place over the Lower Guide Pin.
- Slide Pendant Bolts on Header into Cam Latches on door.
- Close Cam Latches.
- Repeat for other door.

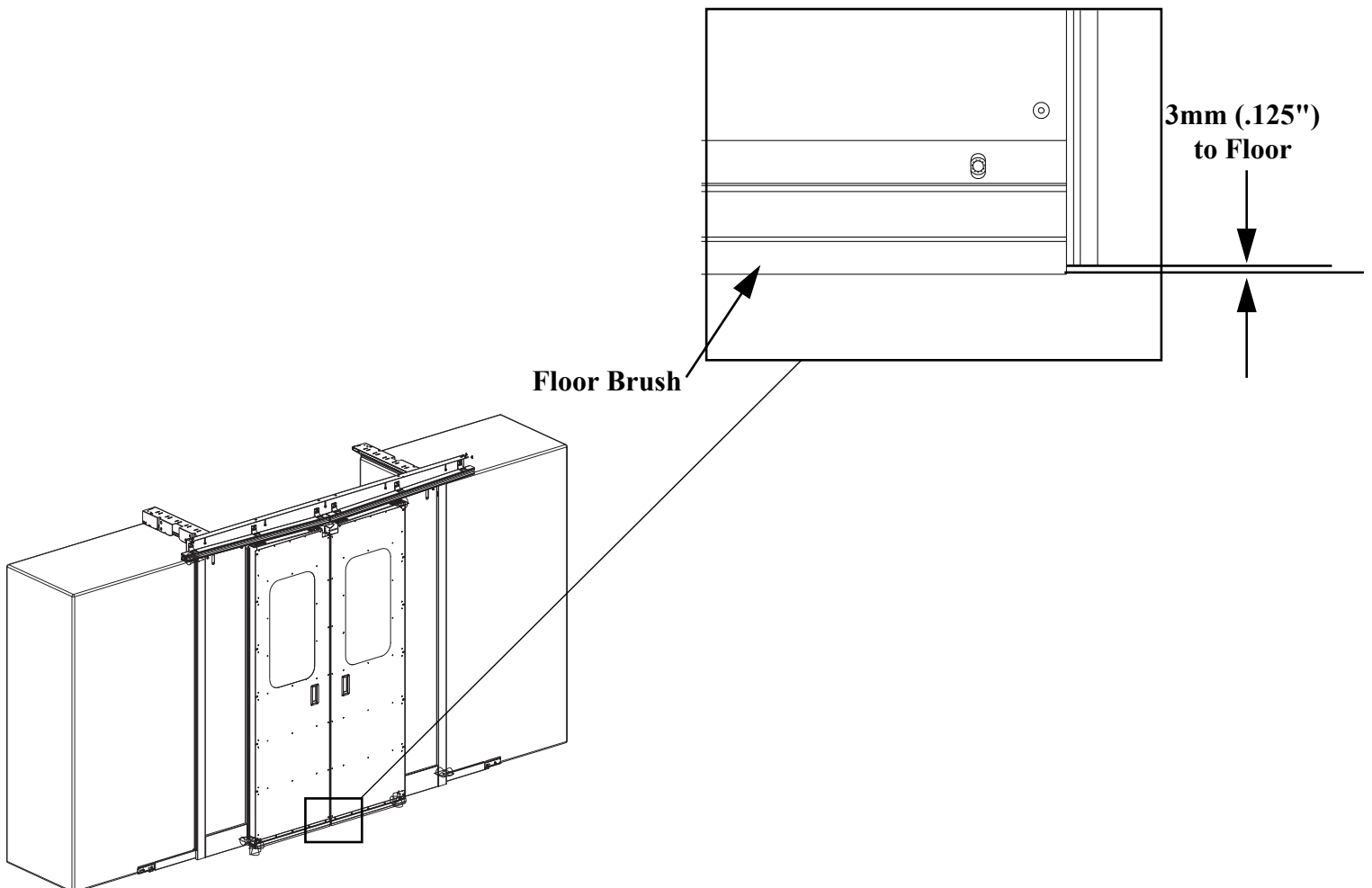


Adjusting Sliding Door Height

- Using a wrench rotate the Pendant Bolts on Transom holding door to raise or lower doors.
- Adjust Floor Brushes so that they are resting on the floor (when both doors are closed).

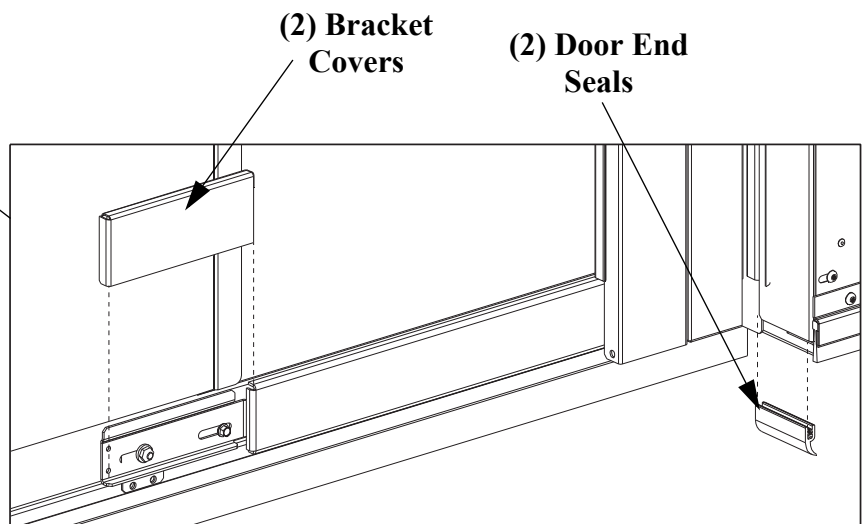
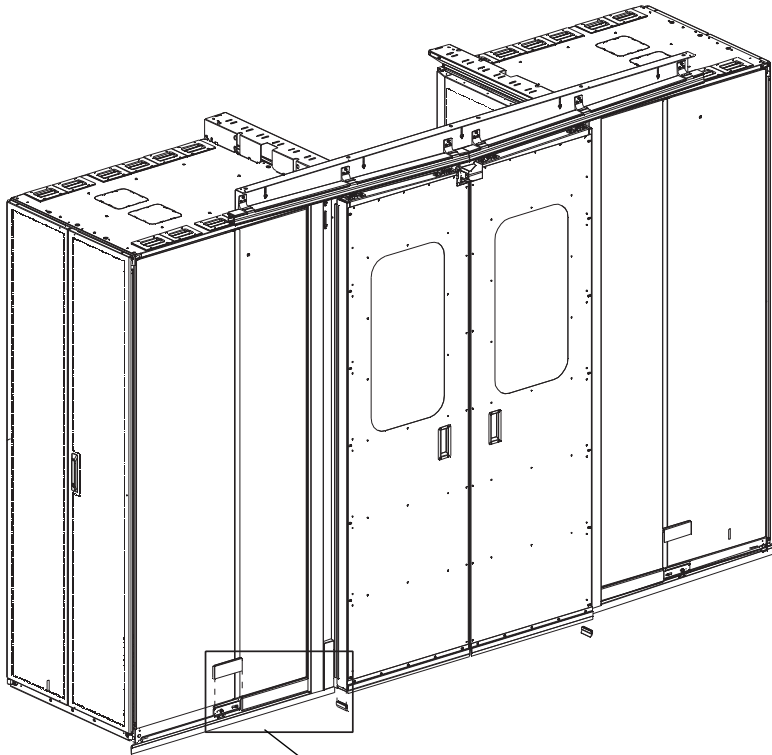


(2) Pendant Bolts



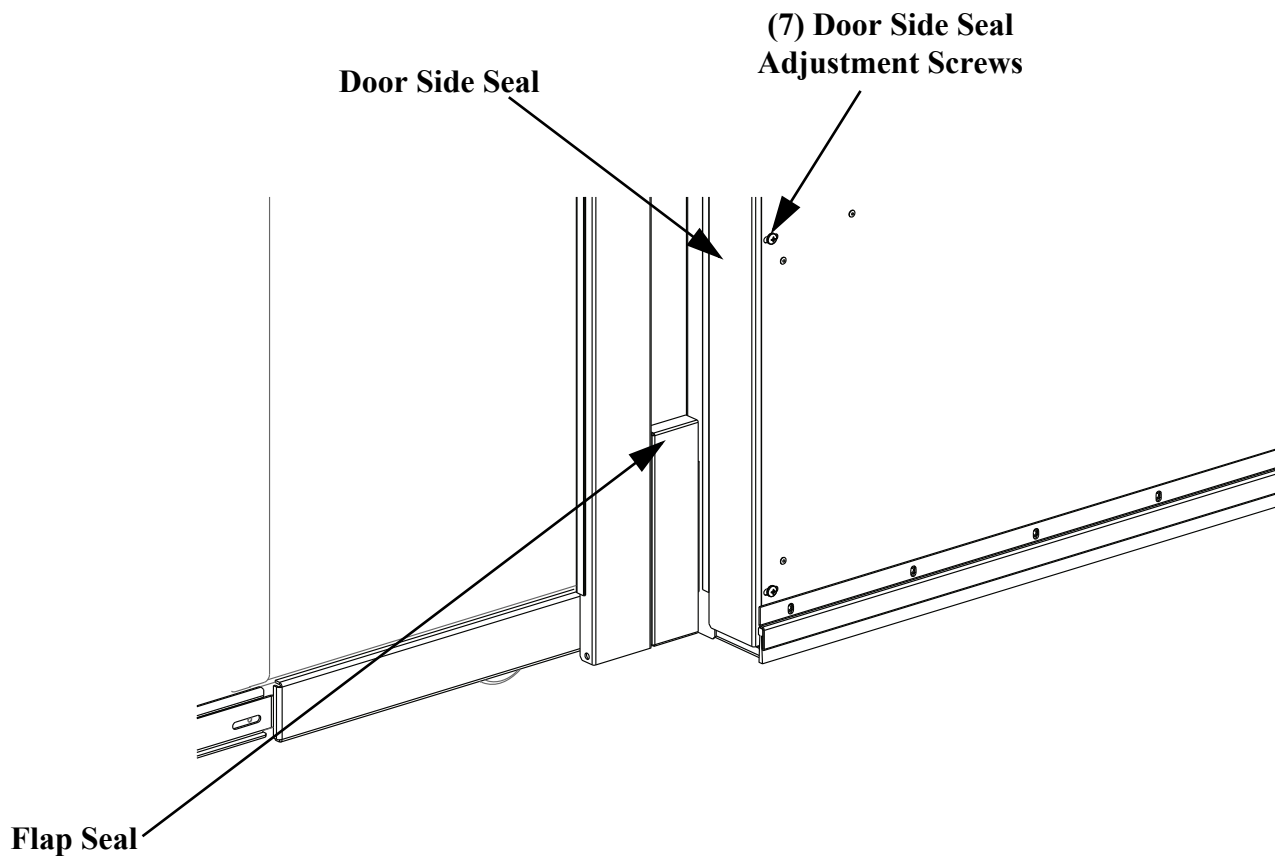
Attaching Panel Covers

- Slide Bracket Covers or Lower Brackets on door frame.
- Attach Door End Seals to each of the doors.



Adjusting Door Seals

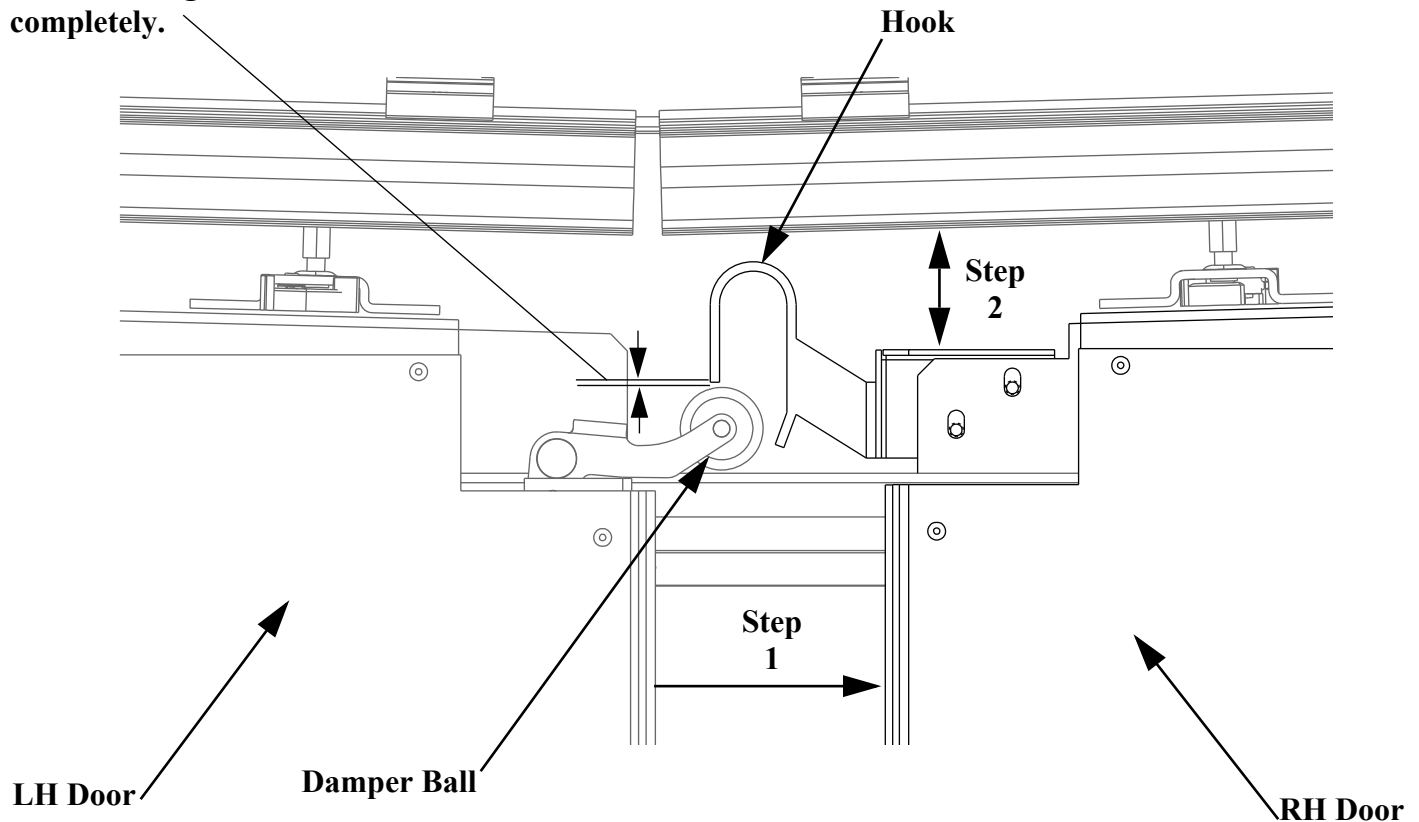
- Adjust left hand and right hand door side seals to achieve a good seal between the door and the Flap Seal.
- Adjust door guides to align bottom of the right hand and left hand doors. Tighten Screws. (Ref. Page 41)



Adjusting Door Damper

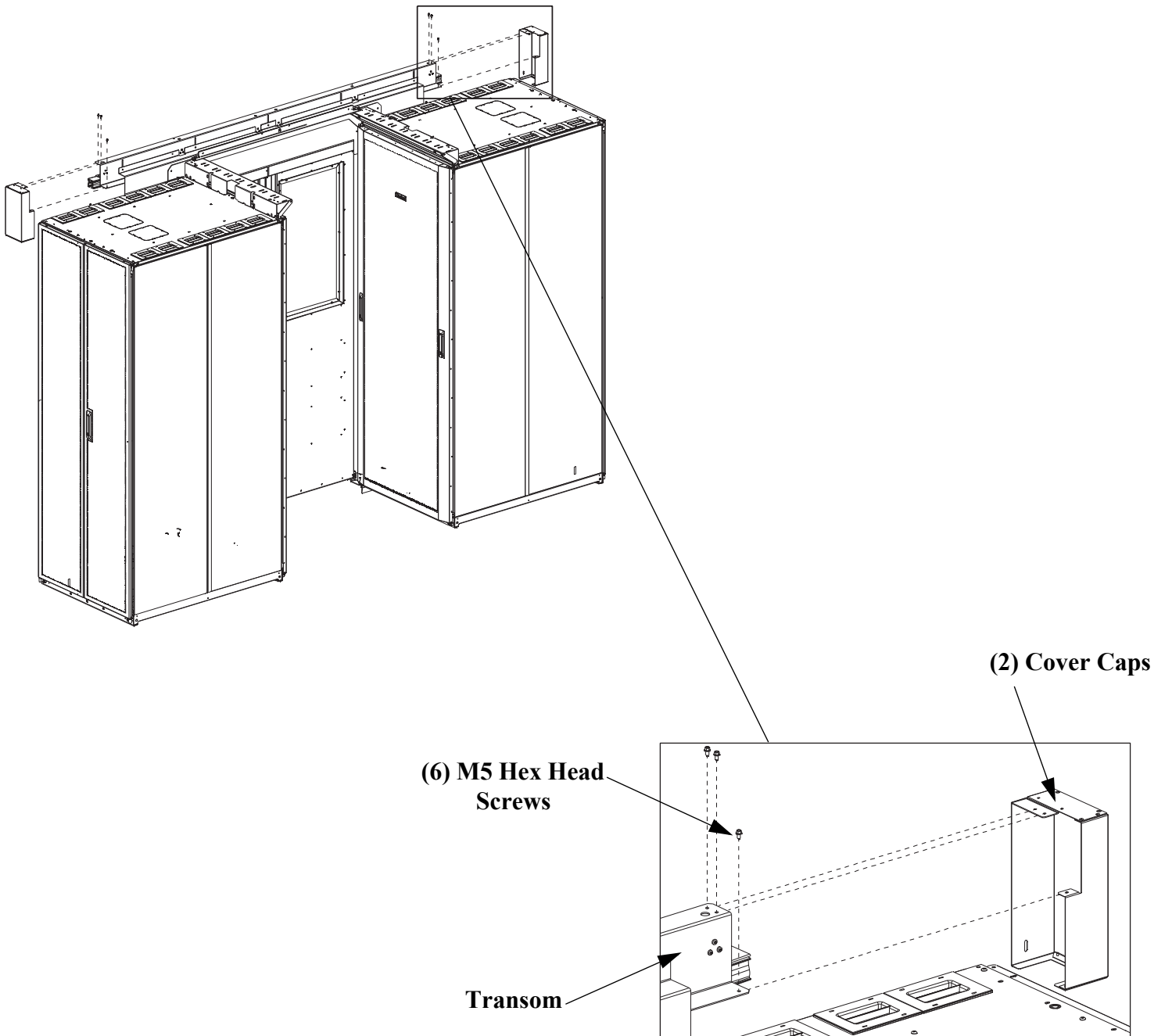
1. Slightly open door
2. Adjust Hook and Bracket so the Damper Ball can barely pass beneath the Hook and tighten screws.
3. Open the RH Door and allow it to close. Check for proper damper operation.
4. Open the LH Door and allow it to close. Check for proper damper operation.
5. Open both doors simultaneously and allow both to close together. Check for proper damper operation.
6. If required, re-adjust hook position.

Note: Having too much space between left side damper arm and right side damper hook damper may cause right side damper arm to lift up before door closes causing the door to not close completely.



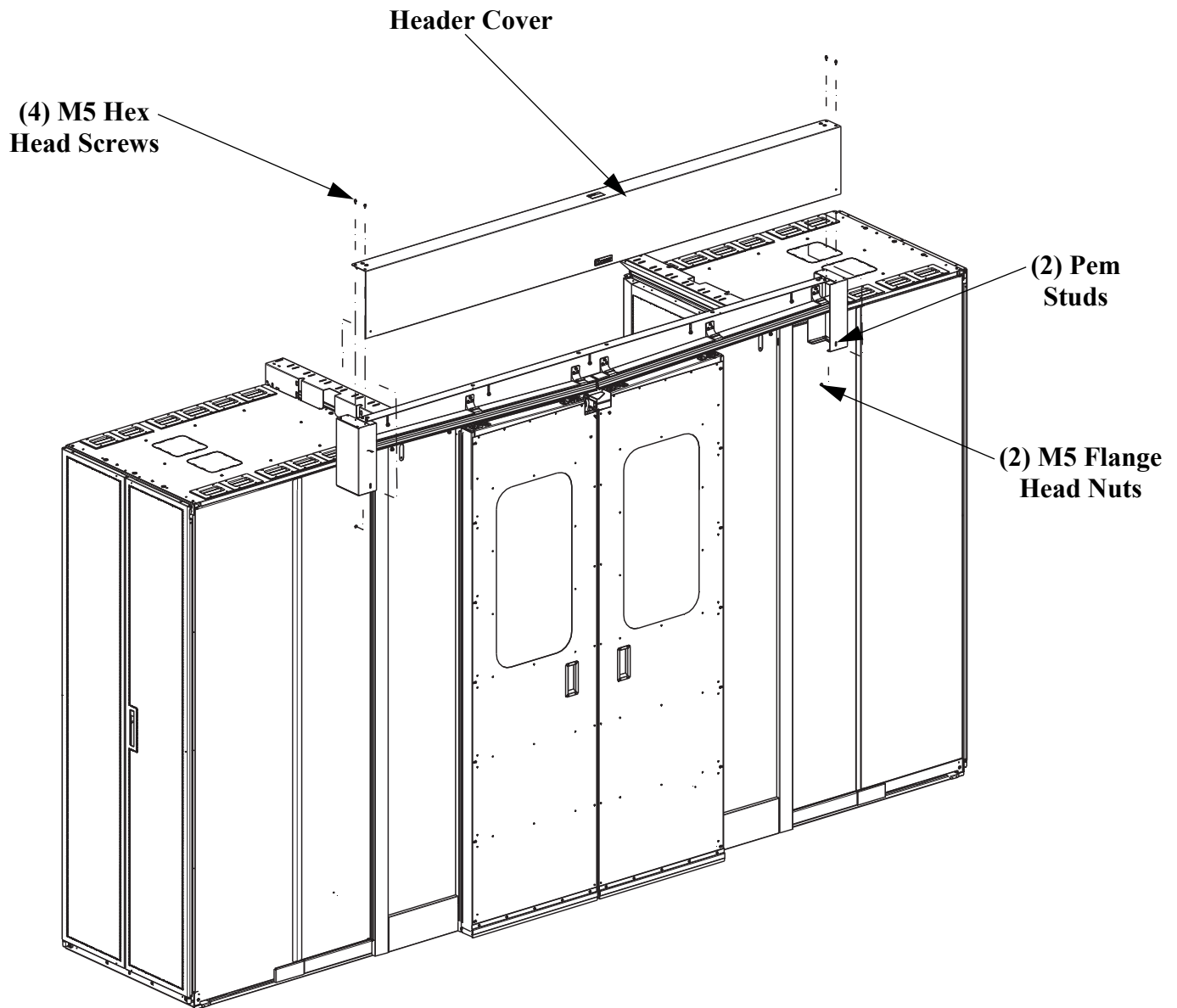
Attaching Cover Caps

- Attach (2) Cover Caps to Transom with (6) M5 hex head screws.
- Note: Cover caps for left cabinet and right cabinet are a mirror image of each other.



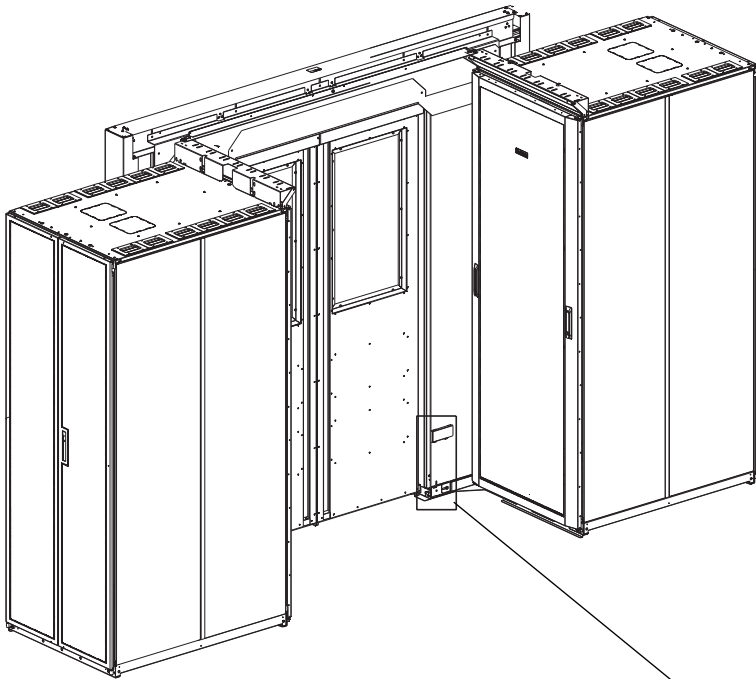
Header Cover Installation

- Slide Header over top of Transom and End Caps.
- Slide pem studs on inside front of header into holes in End Caps.
- Secure Header to End Caps with (4) M5 hex head screws and (2) M5 flange head nuts.



Lower Bracket Cover Installation (For 1800mm Aisle Only)

- Slide (2) Lower Bracket Covers over Lower Brackets.



(2) Lower Bracket Covers

