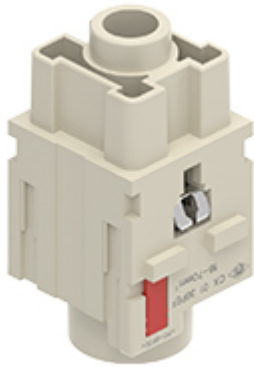


Part number

# CX 01 30PEF



Female modular insert, Mixo series, 300 A, crimp connection, 1 PE pole, 2 modules, PE module for earth termination

#### Product description

<b>Product type</b>	Modular insert
<b>Series</b>	Mixo
<b>Connection type</b>	Crimp connection
<b>Gender</b>	Female
<b>N. of poles</b>	1 PE pole
<b>Size</b>	2 modules
<b>Specification</b>	For C30 contacts (16-70 mm <sup>2</sup> ) PE module for earth termination

#### Technical data

<b>Current</b>	300 A
<b>IP degree of protection</b>	IP20 without enclosure, IP65/IP66/IP68/IP69 with enclosure

#### Further technical details

<b>Mating cycles</b>	≥ 500
<b>Contact resistance</b>	≤ 0,2 mΩ
<b>Weight</b>	24,00 g
<b>Operating temperature range (min, max)</b>	-40 °C ... +125 °C
<b>UL 94 flammability rating</b>	V-0

#### Material properties

<b>Main material</b>	Polycarbonate
<b>Colour</b>	RAL 7032 grey
<b>RoHs conformity</b>	Compliant
<b>China RoHs - EFUP</b>	E
<b>REACH SVHC substances</b>	No

#### General ordering information

<b>EAN13 code</b>	8015747289849
<b>eCl@ss 8.1</b>	27440205
<b>ETIM 7.0</b>	EC000438

#### Packaging Information

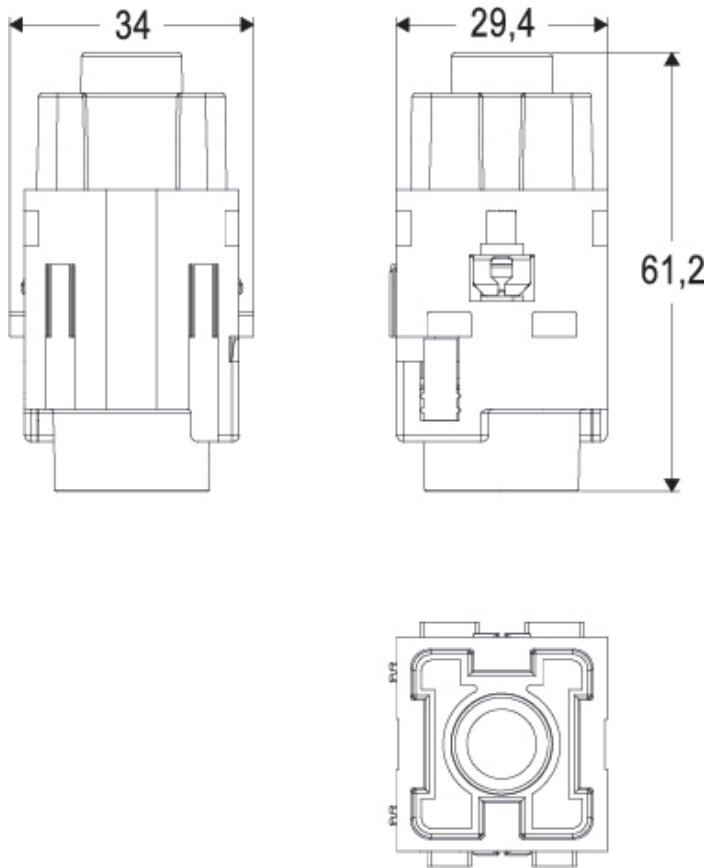
<b>Packaging length</b>	112,00 mm
<b>Packaging height</b>	95,00 mm
<b>Packaging width</b>	117,00 mm
<b>Packaging weight</b>	0,17 kg
<b>Packaging volume</b>	1,24 dm <sup>3</sup>
<b>Packaging description</b>	Carton box
<b>Packaging quantity</b>	5 Pcs
<b>Packaging EAN code</b>	8015747290005
<b>Sub-packaging weight</b>	0,03 kg
<b>Sub-packaging description</b>	Plastic bag
<b>Sub-packaging quantity</b>	1 Pcs
<b>Sub-packaging EAN barcode</b>	8015747290012

Part number

# CX 01 30PEF



Catalogue drawings



---

Notes