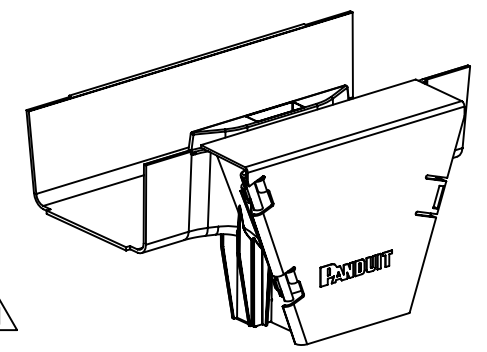
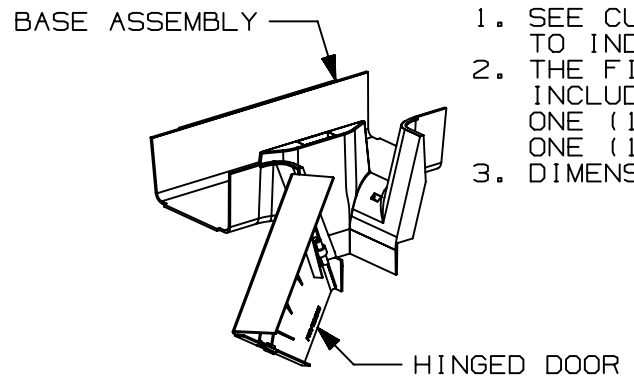
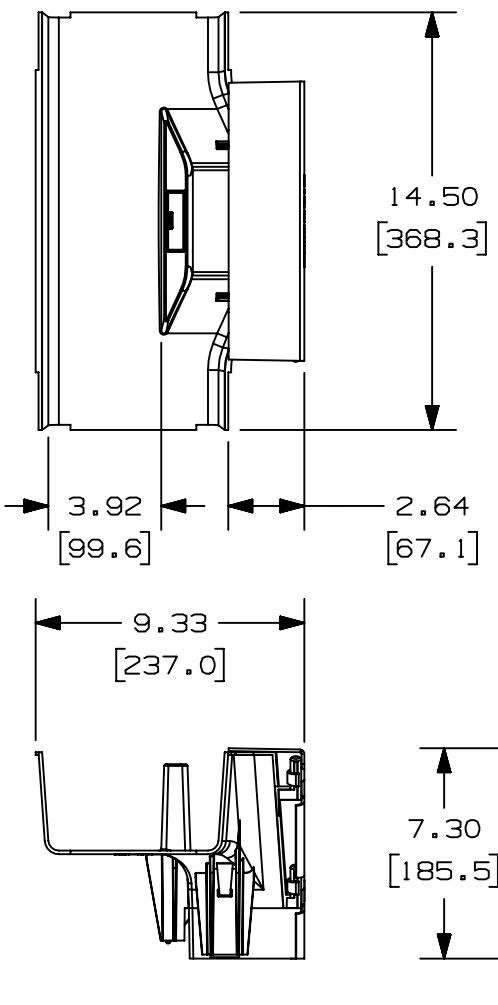


THIS COPY IS PROVIDED ON A RESTRICTED BASIS AND IS NOT TO BE USED IN ANY WAY DETRIMENTAL TO THE INTERESTS OF PANDUIT CORP.



| PANDUIT PART NUMBER | WEIGHT | MATERIAL |
|---------------------|-----------------------------|----------|
| FRVT6X4** | 2.05 LB/EACH (928g/EACH) | ABS |
| FRVT6X4L** | 2.05 LB/EACH (928g/EACH) | PC/ABS |



NOTES:

- SEE CURRENT CATALOG FOR ADDITIONAL PART SUFFIXES TO INDICATE COLOR AND/OR PACKAGE QUANTITY.
- THE FIBERRUNNER 6x4 QUIKLOCK VERTICAL TEE FITTING INCLUDES:
ONE (1) QUIKLOCK VERTICAL TEE BASE ASSEMBLY,
ONE (1) HINGED DOOR
- DIMENSIONS IN PARENTHESES ARE IN METRIC.



D101000A/15

| REV | DATE | BY | CHK | APR | DESCRIPTION | ECN |
|-----|----------|-----|------|-----|---|-------------|
| 06A | 11-26-19 | MES | DWR | DWR | Q. ADDED MATERIAL O. UPDATED GEOMETRY P. ADDED P/N: FRVT6X4L** | V09002DZ/02 |
| 5 | 05-10-13 | JBN | RTFI | RN | N. UPDATED DRAWING BORDER & TITLE BLOCK | 37185-64 |

| | | |
|---|--|---|
| TITLE FIBERRUNNER 6X4 QUIKLOCK VERTICAL TEE FITTING (FRVT6X4**, FRVT6X4L**) | | PANDUIT |
| CUSTOMER DRAWING | | |
| ITEM REVISION NAME D37185ER/04 | | MATERIAL: SEE PART NUMBER TABLE ABOVE |
| DATASET FILE NAME D37185ER_DC/06A | | |
| UNLESS OTHERWISE SPECIFIED, DIMENSIONAL TOLERANCES ARE: IN [mm] .X ± .03 [.8] .XXX ± .XX ± .03 [.8] ANGLES ± | | |
| DRAWN BY: REWE DATE: 05-01-00 CHK: WAB SCALE: NONE | | DRAWING NUMBER: 37185-64 |
| THIRD ANGLE PROJECTION | | SHT 1 OF 1 |
| | | SIZE: A |