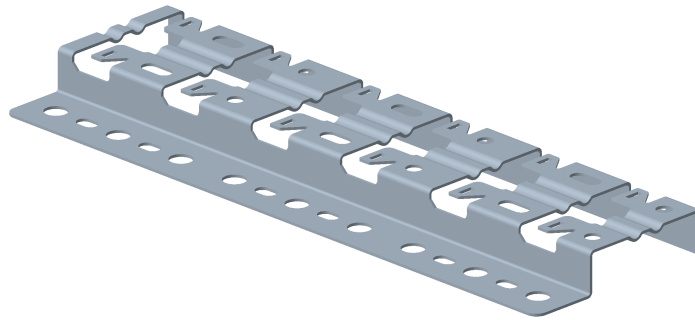


REHAUSSE R15/300
R15/300 STAND OFF BRACKET

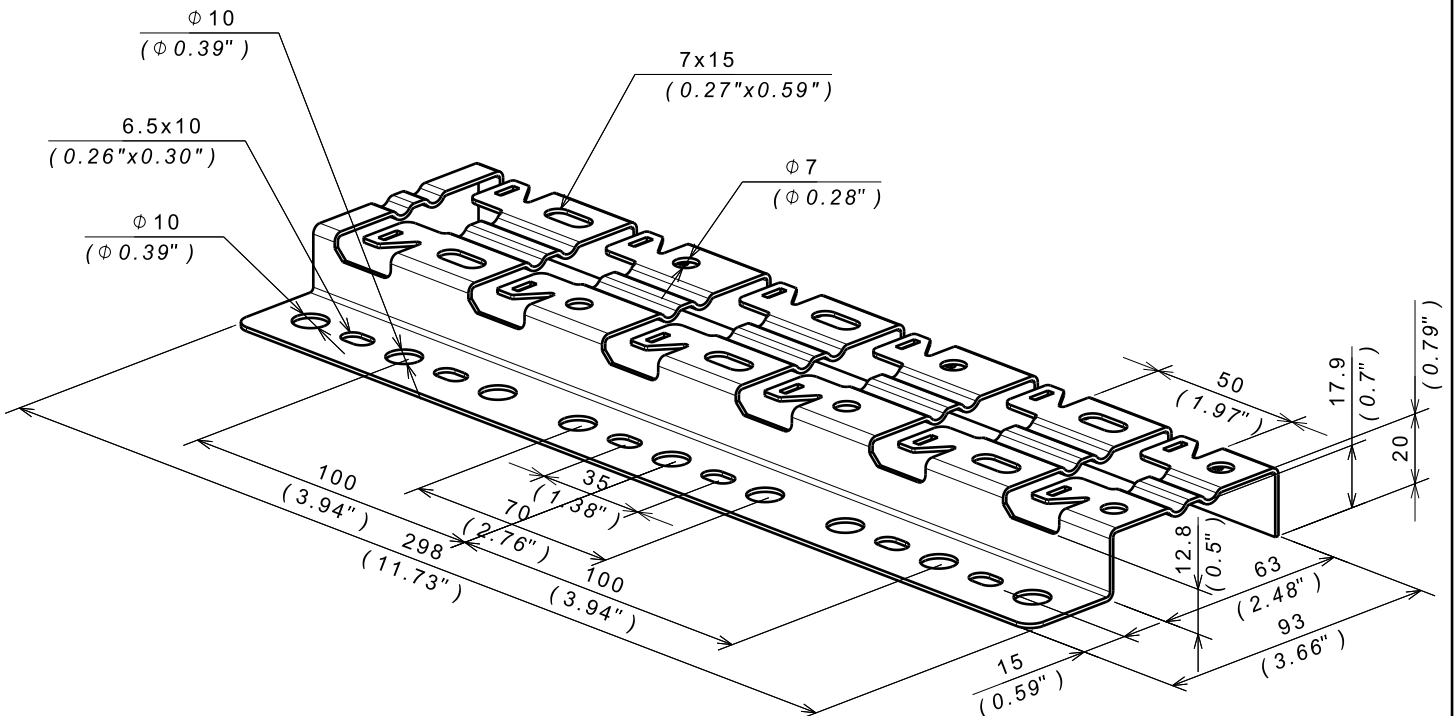
Reference(s) : 586 610/14/17



1. RANGE

Designation	Code	Poids* / Weight* (Kg) (lb)		Epaisseur / Thickness (mm) (inch)		Matière / Material	Norme / Standard	Finition / Coating	Classe de résistance contre la corrosion/ Class for resistance against corrosion
R15/300 GS	586 610	0.281	0.620	1.2	0.05"	DX 51 D Z275 MAC	EN 10346	GS / PG	Class 3 / IEC 61537
R15/300 ZnMg	586 617	0.281	0.620	1.2	0.05"	DX 51 D ZM140-310 MAC	EN 10346	ZnMg	Class 8 / IEC 61537
R15/300 SS316L	586 614	0.288	0.635	1.2	0.05"	X2 Cr Ni Mo 17-12-2	EN 10088-2	INOX316L / SS316L	Class 9D / IEC 61537

2. DIMENSIONS (mm/inch)



REHAUSSE R15/300
R15/300 STAND OFF BRACKET

Reference(s) : 586 610/14/17

3. INSTALLATION

