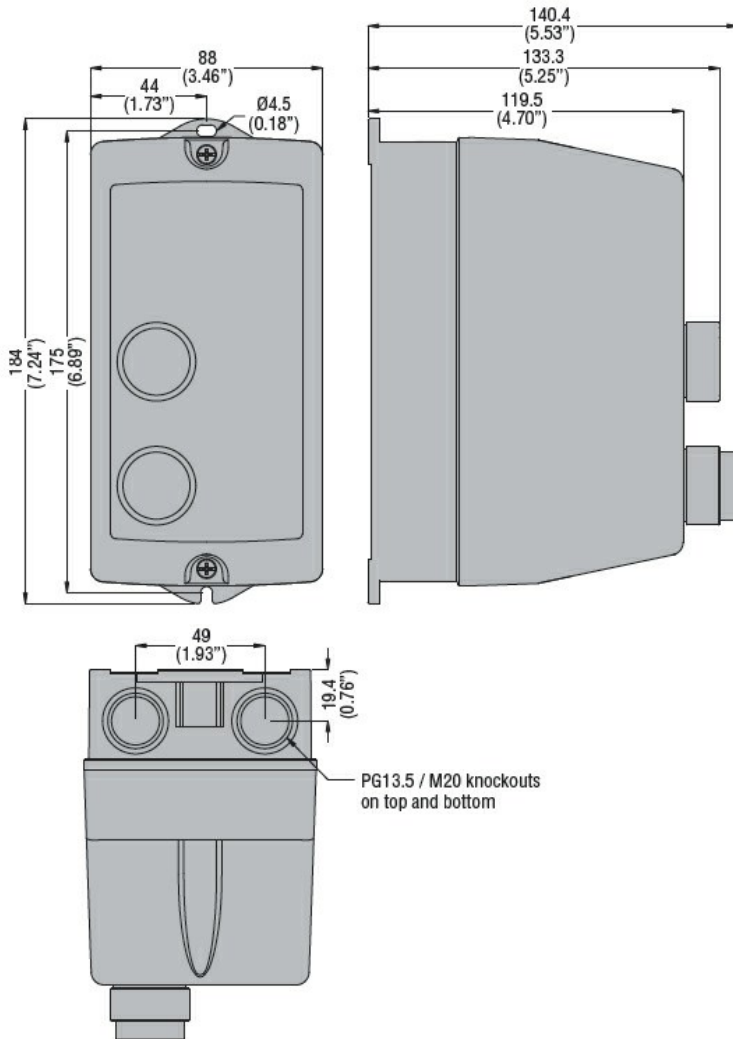
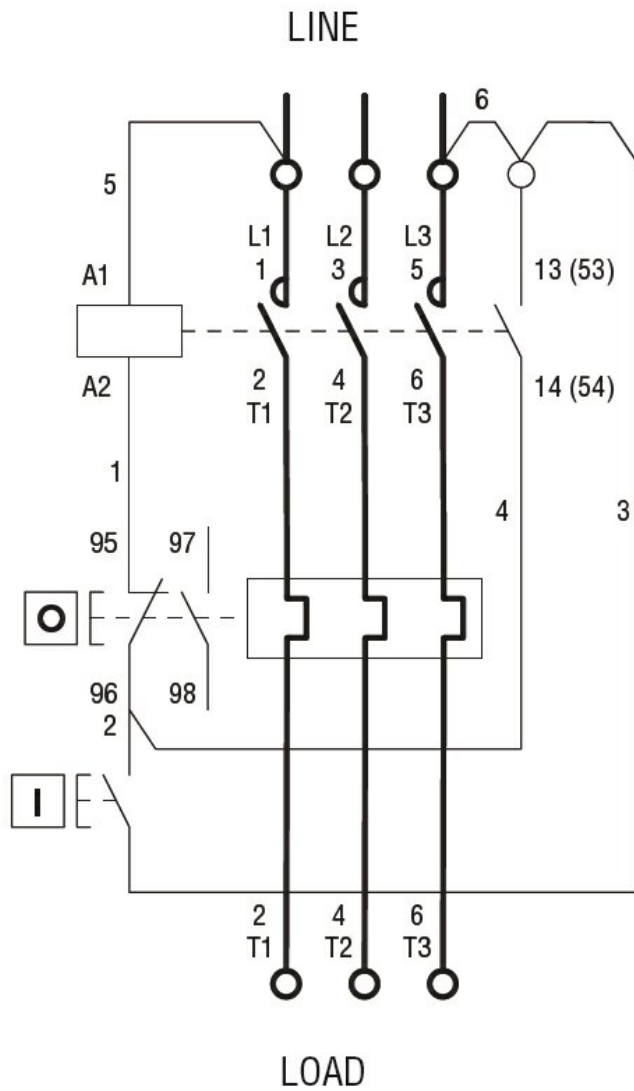




|   |                        |      |       |
|---|------------------------|------|-------|
| Product designation                                   | Direct-on-line starter |      |       |
| Product type designation                              | M0P00912...10          |      |       |
| <b>Electrical features</b>                            |                        |      |       |
| Relay adj range                                       | A                      | 6-10 |       |
| IEC technical characteristics ( $\leq 440V$ )         |                        |      |       |
|   | le                     | A    | 10    |
|   | kW                     | kW   | 3...4 |
| <b>Components</b>                                     |                        |      |       |
| Starter enclosure standard supplied                   | M0PA                   |      |       |
| Contactor standard supplied                           | BG0910A                |      |       |
| Thermal relay standard supplied                       | RF910                  |      |       |
| <b>UL technical data</b>                              |                        |      |       |
| Maximum UL/CSA horsepower ratings single-phase        |                        |      |       |
|   | 110V-120V              | HP   | 0.5   |
|   | 220V-240V              | HP   | 1.5   |
| Maximum UL/CSA horsepower ratings three-phase, 3-pole |                        |      |       |
|   | 200V-208V              | HP   | 2     |
|   | 220V-240V              | HP   | 3     |
|   | 440V-480V              | HP   | 5     |
|   | 550V-600V              | HP   | 5     |
| <b>Mechanical features</b>                            |                        |      |       |
| Weight  | g                      | 760  |       |
| <b>Ambient conditions</b>                             |                        |      |       |
| Operating temperature                                 |                        |      |       |
|   | min                    | °C   | -25   |
|   | max                    | °C   | +60   |
| Storage temperature                                   |                        |      |       |
|   | min                    | °C   | -40   |
|   | max                    | °C   | +70   |
| <b>Resistance &amp; Protection</b>                    |                        |      |       |
| Frontal IP degree                                     | IP65                   |      |       |
| <b>Dimensions</b>                                     |                        |      |       |



Wiring diagrams



I = Start; O = Stop/Reset

### Certifications and compliance

#### Compliance

IEC/EN 60947-1  
IEC/EN 60947-4-1  
UL508 CSA C22.2 n° 14

#### Certificates

CSAus  
cULus  
EAC

### ETIM classification

ETIM 8.0

EC001037 -  
Motor  
starter/Motor  
starter  
combination