

Part number

CHP 24 L2



Surface mounting housing, C-TYPE series, with 1 lever, Pg21 x 2 cable entry, size "104.27"

Product description		Material properties	
Product type	Surface mounting housing	Other materials	Lever: Stainless steel, polyamide (PA) Gasket: NBR
Series	C-TYPE	Colour	RAL 7040 grey
Closing type	With 1 lever	RoHs conformity	Compliant
Size	Size 104.27	China RoHs - EFUP	E
Cable entry	With cable entry Pg21 x 2	REACH SVHC substances	No
Technical data		Approvals / Standards	
IP degree of protection	IP65 / IP66 / IP69	Certifications	DNV, BV
Further technical details		UL	ECBT2
Weight	339,00 g	cUL	ECBT8
Operating temperature range (min, max)	-40°C...+125°C	General ordering information	
		EAN13 code	8015747022569
		Packaging Information	
		Packaging length	475,00 mm
		Packaging height	180,00 mm
		Packaging width	200,00 mm
		Packaging weight	3,91 kg
		Packaging volume	17,10 dm ³
		Packaging description	Carton box
		Packaging quantity	10 Pcs
		Packaging EAN code	8015747022576
		Sub-packaging weight	1,96 kg
		Sub-packaging description	Carton box
		Sub-packaging quantity	5 Pcs
		Sub-packaging EAN barcode	8015747022583

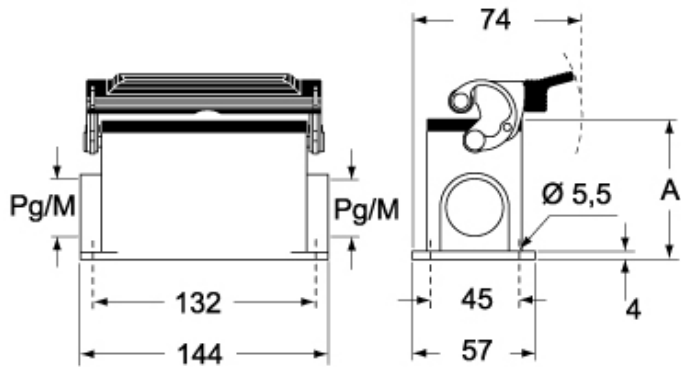
Part number

CHP 24 L2



Catalogue drawings

CHP L CAP L - MHP L MAP L



CHP LS CAP LS - MHP LS MAP LS



	A
CHP L / MHP L	63
CAP L / MAP L	80
CHP LS / MHP LS	63
CAP LS / MAP LS	80

Notes

Dimensions shown in mm are not binding and may be changed without notice.