

1SET164006R0000 ✓ ACTIVE

ENTRELEC

TE Internal #: 1SET164006R0000

Crimp Wire Pins, Tabs & Ferrules, Shur-Plug Receptacle, 17 – 13

AWG Wire Size, 1 – 2.6 mm² Wire Size, 2048 – 5178 CMA Wire Size,

Closed, Tin Plating

[View on TE.com >](#)



Terminals & Splices > Crimp Wire Pins, Tabs & Ferrules



Crimp Wire Pin, Tab & Ferrule Terminal Type: **Shur-Plug Receptacle**

Accepts Wire Insulation Diameter Range: **4 mm [.157 in]**

Wire Size: **2048 – 5178 CMA**

Features

Product Type Features

Sealable	No
Wire Insulation Support Retention Type	Insulation Support

Configuration Features

Compatible With Wire & Cable Type	Discrete Wire
-----------------------------------	---------------

Body Features

Sleeve Material	Copper
Sleeve Plating Material	Tin
Insulation Sleeve Material	Copper
Double Wire	No
Insulation Color	Light Blue
Insulation Material	Nylon

Contact Features

Crimp Wire Pin, Tab & Ferrule Terminal Type	Shur-Plug Receptacle
Barrel Type	Closed
Terminal Plating Material	Tin



Pin Type	Crimp
----------	-------

Terminal Orientation	Straight
----------------------	----------

Termination Features

Bullet Terminal	Without
-----------------	---------

Mechanical Attachment

Wire Insulation Support	With
-------------------------	------

Dimensions

Accepts Wire Insulation Diameter Range	4 mm[.157 in]
--	---------------

Wire Size	2048 – 5178 CMA
-----------	-----------------

Terminal Material Thickness	.79 mm[.031 in]
-----------------------------	-----------------

Overall Product Length	24.7 mm[.972 in]
------------------------	------------------

Usage Conditions

Insulation Option	Fully Insulated
-------------------	-----------------

Operating Temperature Range	105 °C[221 °F]
-----------------------------	----------------

Operation/Application

Heavy Duty	No
------------	----

Packaging Features

Packaging Quantity	500
--------------------	-----

Packaging Method	Box
------------------	-----

Other

Comment	For use with Superchamp handtool only.
---------	--

Barrel Color	Light Blue
--------------	------------

Product Compliance

[For compliance documentation, visit the product page on TE.com>](#)

EU RoHS Directive 2011/65/EU	Compliant
------------------------------	-----------

EU ELV Directive 2000/53/EC	Compliant
-----------------------------	-----------

China RoHS 2 Directive MIIT Order No 32, 2016	No Restricted Materials Above Threshold
---	---

EU REACH Regulation (EC) No. 1907/2006	Current ECHA Candidate List: JUNE 2022 (224) Candidate List Declared Against: JAN 2021 (211) Does not contain REACH SVHC
--	--

Halogen Content	Low Halogen - Br, Cl, F, I < 900 ppm per homogenous material. Also BFR/CFR/PVC Free
Solder Process Capability	Not applicable for solder process capability

Product Compliance Disclaimer

This information is provided based on reasonable inquiry of our suppliers and represents our current actual knowledge based on the information they provided. This information is subject to change. The part numbers that TE has identified as EU RoHS compliant have a maximum concentration of 0.1% by weight in homogenous materials for lead, hexavalent chromium, mercury, PBB, PBDE, DBP, BBP, DEHP, DIBP, and 0.01% for cadmium, or qualify for an exemption to these limits as defined in the Annexes of Directive 2011/65/EU (RoHS2). Finished electrical and electronic equipment products will be CE marked as required by Directive 2011/65/EU. Components may not be CE marked. Additionally, the part numbers that TE has identified as EU ELV compliant have a maximum concentration of 0.1% by weight in homogenous materials for lead, hexavalent chromium, and mercury, and 0.01% for cadmium, or qualify for an exemption to these limits as defined in the Annexes of Directive 2000/53/EC (ELV). Regarding the REACH Regulation, the information TE provides on SVHC in articles for this part number is based on the latest European Chemicals Agency (ECHA) 'Guidance on requirements for substances in articles' posted at this URL: <https://echa.europa.eu/guidance-documents/guidance-on-reach>

Compatible Parts



TE Part # 3-1377174-2
SMP 0-0165429-1

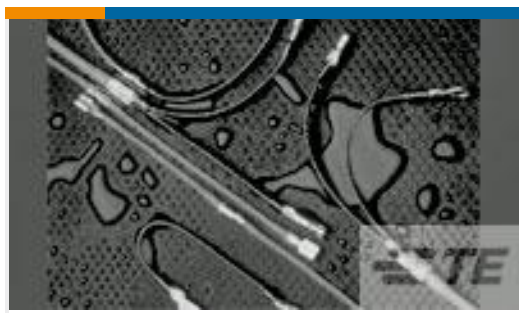


TE Part # 1583661-1
HYP10 HAND HYDRAULIC PUMP

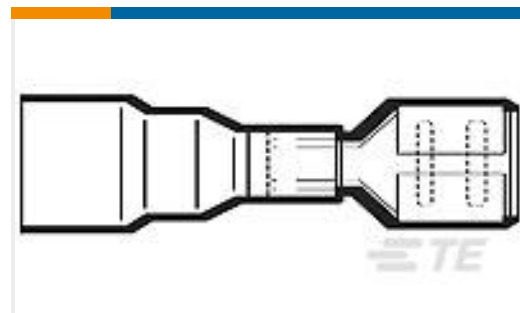


TE Part # 8-1579002-0
SUPER CHAMP III

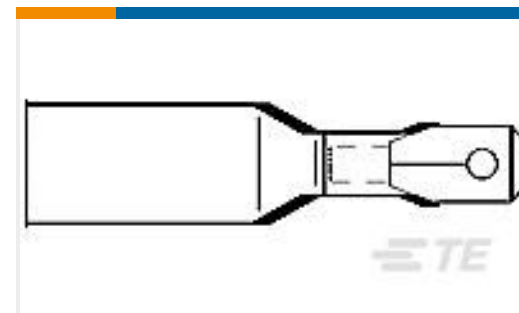
Customers Also Bought



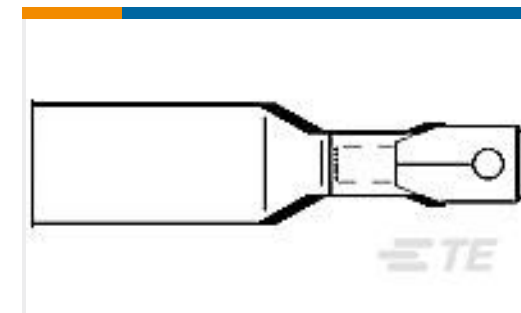
TE Part #CC2649-000
B-106-1803CS50



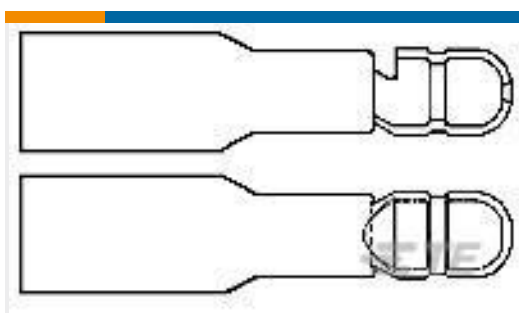
TE Part #CC2641-000
B-106-3632CS100



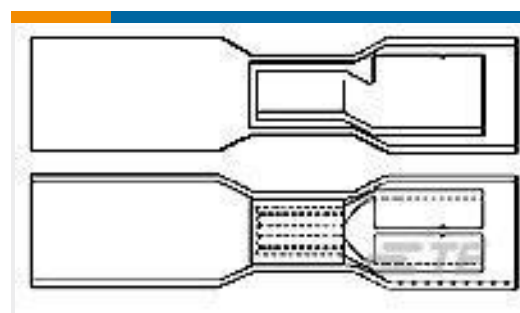
TE Part #CC2642-000
B-106-4632CS100



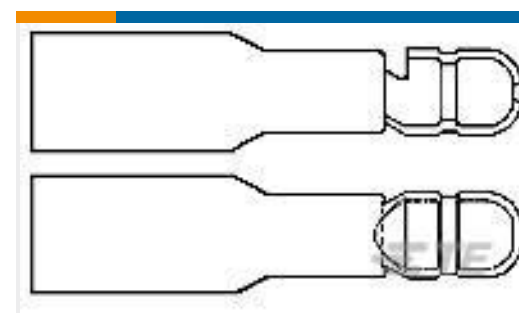
TE Part #CC2630-000
B-106-4631CS100



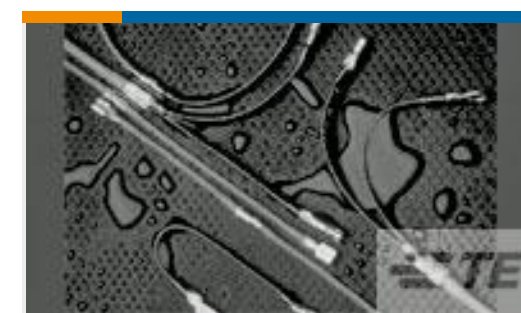
TE Part #CC2631-000
B-106-7401CS100



TE Part #CC2632-000
B-106-8401CS100



TE Part #CC2643-000
B-106-7502CS100



TE Part #CC2637-000
B-106-1802CS100



Documents

Product Drawings

[SPR025-N](#)

English

CAD Files

[3D PDF](#)

3D

Customer View Model

[ENG_CVM_CVM_1SET164006R0000_A.2d_dxf.zip](#)

English

Customer View Model

[ENG_CVM_CVM_1SET164006R0000_A.3d_igs.zip](#)

English

Customer View Model

[ENG_CVM_CVM_1SET164006R0000_A.3d_stp.zip](#)

English

By downloading the CAD file I accept and agree to the [Terms and Conditions](#) of use.

Datasheets & Catalog Pages

[Infographic - entrelec ews-linecard](#)

English

[PIDG Terminals and Splices Quick Reference Guide](#)

English

[PIDG TERMINALS & SPLICES Quick Reference Guide](#)

English

[Standard Terminals & Splices](#)

English

[Essential Entrelec Terminal Blocks](#)

French

[Essential Entrelec Terminal Blocks](#)

English