



Product designation	Solid state relay		
Product type designation	HS1B		
Type	single-phase		
<b>Input characteristics</b>			
Control voltage	20...265VAC/DC		
Operating voltage limits	Operating voltage pick-up	V	20VAC-18VDC
	Operating voltage drop-out	V	5
Input current at min...max voltage		mA	5...10
<b>Operating times</b>			
Switching-on	Half cycle max		
Switching-off	Half cycle max		
<b>Output characteristics</b>			
Switching mode	Zero crossing		
Rated operating voltage	VAC	24...510	
Blocking voltage	V	1200	
Operational frequency (min...max)	Hz	45...65	
Rated operating current AC-51 (resistive load) at 40°C	A	60	
Rated operating current AC-51 (resistive load) at 55°C	A	52	
Heatsink for use at 40°C and 55°C at rated current AC-51	K/W	≤0.55	
Rated operating current AC-53 (motor load) at 40°C	A	12	
Operational current min	A	0.05	
Non repetitive surge peak on state current t=10ms	A	750	
Off state leakage current	mA	1	
On state output voltage drop	V	1.45	
Critical rate of rise of off-state voltage dv/dt	V/μs	500	
Input - Output isolation	V	4000	
Input - Output to metal base	V	4000	
Output protection type	VDR		
I2t	A2s	2800	
<b>Terminal characteristics</b>			
Control terminals	Type	Screw M4	
Terminals tool	PZ2		
Tightening torque control terminals	Nm	1.2...2	
	Ibin	10.6...17.7	
Conductor section connectable (control terminals) with 1 or 2 wires min...max	AWG stranded	n°	18...14
	Flexible w/o lug	mm2	0.75...2.5
	Flexible c/w insulated spade lug	mm2	0.75...2.5
Load terminals	Type	Screw M5	
Load terminals tool	PZ2		
Tightening torque load terminals	Nm	2...3	
	Ibin	20.4	

Conductor section connectable (load terminals) with 1 or 2 wires min...max

AWG stranded	n°	16...10
Flexible w/o lug	mm2	1.5...6
Flexible c/w insulated spade lug	mm2	1.5...6

Operating position

allowable Any

Fixing

Screw

**Ambient conditions**

Temperature

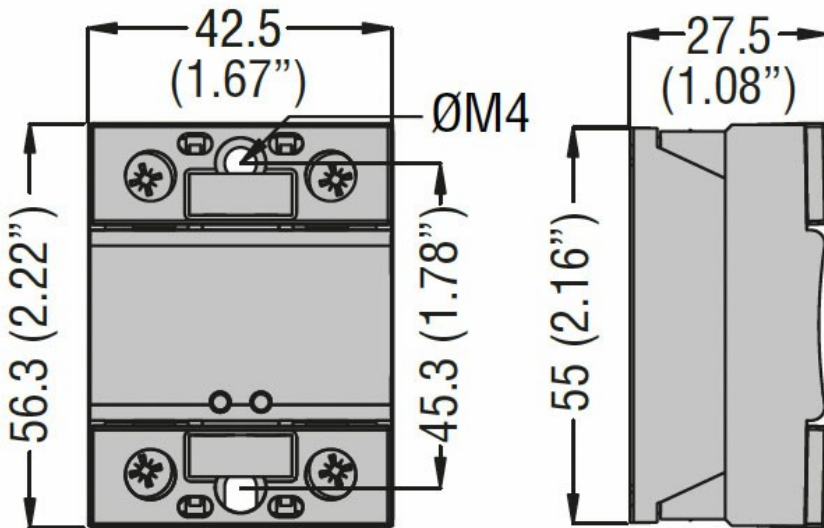
Operating temperature

min	°C	-55
max	°C	+90

Storage temperature

min	°C	-55
max	°C	+125

**Dimensions**



**Certifications and compliance**

Certifications

- IEC/EN/BS 60947-4-2
- IEC/EN/BS 60947-4-3
- IEC/EN/BS 62314
- IEC/EN/BS 6335-1

Compliance

- CSA
- cURus
- VDE

**ETIM classification**

EC000066 - Power contactor, AC switching