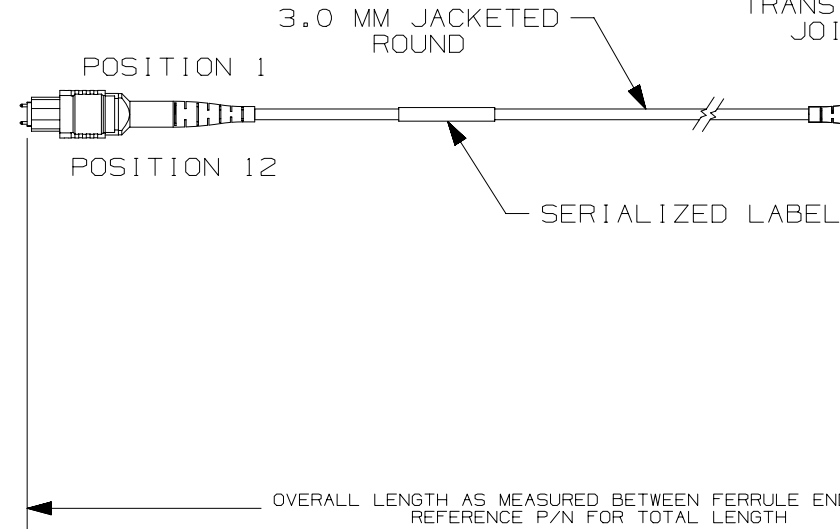


- NOTES:
- CABLE:
 - REFERENCE PART NUMBER FOR CABLE/GLASS TYPE.
 - TECHNICAL SPECIFICATIONS:
 - REFER TO PART NUMBER FOR OVERALL LENGTH (WHERE M=METERS AND F=FEET).
 - ALL MATERIALS AND COMPONENTS USED MEET THE MATERIAL RESTRICTIONS OF RoHS (EUROPEAN DIRECTIVE 2011/65/EC ON THE RESTRICTION OF HAZARDOUS SUBSTANCES) AS PROPOSED BY THE RoHS TECHNICAL ADAPTATION COMMITTEE.
 - DIMENSIONS IN BRACKETS ARE METRIC (mm).

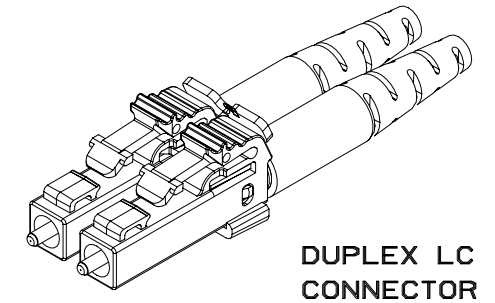
FIBERS

X
X
3
4
5
6
7
8
9
10
XX
XX

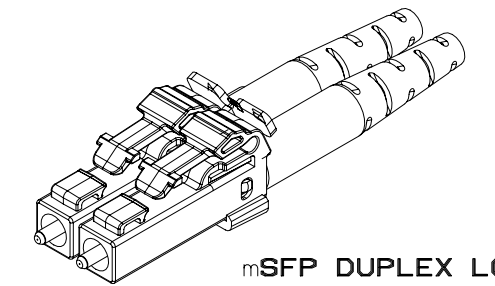
MPO KEY UP



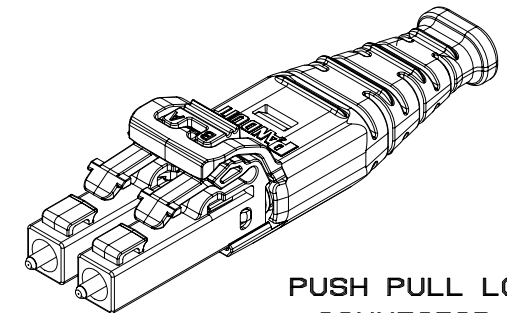
LC LATCH DOWN CONNECTOR



DUPLEX LC CONNECTOR



mSFP DUPLEX LC CONNECTOR



PUSH PULL LC CONNECTOR

8F - STANDARD HARNESS									
MPO END / LC END	FIBER POSITION FROM MPO END TO LC END								
MPO	3	4	5	6	7	8	9	10	
LC	3	4	5	6	7	8	9	10	
8F - FLIPPED HARNESS									
MPO END / LC END	FIBER POSITION FROM MPO END TO LC END								
MPO	3	4	5	6	7	8	9	10	
LC	4	3	6	5	8	7	10	9	
8F - ARRAY FLIPPED HARNESS									
MPO END / LC END	FIBER POSITION FROM MPO END TO LC END								
MPO	3	4	5	6	7	8	9	10	
LC	10	9	8	7	6	5	4	3	

REV	DATE	BY	CHK	APR	DESCRIPTION	ECN
03A	1/4/23	JSP	WJM	KYLM	A. ADDED Q, U, AND V TO 10TH POSITION.	M02680GG-DC01
02A	2/17/20	JSP	JGD	EJH	INITIAL RELEASE	M02680GG-DC01

TITLE 8 FIBER MPO 3.0MM ROUND TO LC DUPLEX 2.0MM BREAKOUT CABLE HARNESS		CUSTOMER DRAWING	
ITEM REVISION NAME M02680GG/03		PANDUIT	
DATASET FILE NAME M02680GG_DC-01/03A			
UNLESS OTHERWISE SPECIFIED, DIMENSIONAL TOLERANCES ARE: IN [mm]		MATERIAL:	
.X : .XX :	.XXX : ANGLES :	DRAWING NUMBER: M02680GG-DC01	
THIRD ANGLE PROJECTION		DRAWN BY: JSP	
DATE: 2/17/20	CHK: JGD	SCALE: NONE	SIZE: B
SHT 1 OF 2			

1	2	3	4	5	6	7	8	9	10	11	12	13	14	15
F	*	8	R	*	*	*	*	*	*	N	*	*	*	*

1st POSITION - FIBER PRODUCT

2nd POSITION - FIBER TYPE

- 5 - 50/125um (OM2)
- 6 - 62.5/125um (OM1)
- 9 - 9/125um (OS2)
- S - 50/125um (OM4+) SIG CORE
- X - 50/125um (OM3)
- Z - 50/125um (OM4)

3rd POSITION - FIBER COUNT

8 - 8 FIBER

4th POSITION - CABLE TYPE

R - ROUND JACKETED 250um COATED

5th POSITION - FLAME RATING

- L - LSZH
- P - PLENUM

6th POSITION - CONNECTOR A

- 5 - MPO FEMALE
- 6 - MPO MALE
- 7 - PANMPO FEMALE (MULTIMODE ONLY)
- 8 - PANMPO MALE (MULTIMODE ONLY)

7th POSITION - CONNECTOR "A" VARIANT

N - NO VARIANT

8th POSITION - CONNECTOR B

- D - DUPLEX mSFP LC
- L - DUPLEX LC
- Q - LC PUSH-PULL (LOW PROFILE)

9th POSITION - CONNECTOR "B" VARIANT

- A - 18" EQUAL BREAKOUT.....HARNESS ONLY
- B - 30" EQUAL BREAKOUT.....HARNESS ONLY
- C - 36" EQUAL BREAKOUT.....HARNESS ONLY
- D - 1 METER (39") EQUAL BREAKOUT.....HARNESS ONLY
- F - STAGGERED PAIR 1 LONGEST BREAKOUT.....HARNESS ONLY
- G - STAGGERED PAIR 1 SHORTEST BREAKOUT.....HARNESS ONLY
- H - STAGGERED PAIRS 1 AND 2 LONGEST BREAKOUT.....HARNESS ONLY
- J - STAGGERED PAIRS 1 AND 2 SHORTEST BREAKOUT.....HARNESS ONLY
- K - 2 METER BREAKOUT.....HARNESS ONLY
- S - 24" (0.61 METER) EQUAL BREAKOUT.....HARNESS ONLY

10th POSITION - PERFORMANCE/POLARITY

- D - STANDARD PERFORMANCE / B2 ARRAY FLIPPED
- E - OPTIMIZED PERFORMANCE / B2 ARRAY FLIPPED (OM3, OM4, OM4+ ONLY)
- N - ULTRA PERFORMANCE / STANDARD POLARITY (OM3, OM4, OM4+ ONLY)
- O - OPTIMIZED PERFORMANCE / STANDARD POLARITY (OM3, OM4, OM4+ ONLY)
- P - OPTIMIZED PERFORMANCE / FLIPPED PAIR (OM3, OM4, OM4+ ONLY)
- Q - STANDARD PERFORMANCE 4 TO 1 CONVERSION
- S - STANDARD PERFORMANCE / STANDARD POLARITY
- T - STANDARD PERFORMANCE / FLIPPED PAIR
- U - ULTRA PERFORMANCE 4 TO 1 CONVERSION
- V - OPTIMIZED PERFORMANCE 4 TO 1 CONVERSION

11th POSITION - PULLING EYE, SPECIAL CABLE COLOR*

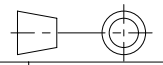
N - NO PULLING EYE

12th POSITION - UNIT OF MEASURE

- M - METERS
- F - FEET

13th, 14th & 15th POSITIONS - LENGTH

001-030 METERS (003-100 FEET) DEPENDENT ON BREAKOUT LENGTH REQUIRED

TITLE				
8 FIBER MPO 3.0MM ROUND TO LC DUPLEX 2.0MM BREAKOUT CABLE HARNESS				
CUSTOMER DRAWING				
ITEM REVISION NAME		M02680GG/03		
DATASET FILE NAME		M02680GG_DC-01/03A		
UNLESS OTHERWISE SPECIFIED, DIMENSIONAL TOLERANCES ARE: IN [mm]				MATERIAL:
.X :	.XXX :	THIRD ANGLE PROJECTION		
.XX :	ANGLES :	DRAWING NUMBER:		M02680GG-DC01
		SCALE		
DRAWN BY	DATE	CHK	SCALE	SHT 2 OF 2
JSP	2/17/20	JGD	NONE	B

REV	DATE	BY	CHK	APR	DESCRIPTION	ECN