

After initial installation, sensor will perform a function test and luminaire will switch on/off twice.

Operating voltage	85-277V/50-60HZ	Detection range	maximum \varnothing 16m
Stand-by power	$\leq 1W$	Detection angle	150°
Microwave frequency	5.8GHz \pm 75MHz/ISM	Mounting height	maximum 15m
Transmitting power	$\leq 0.5mW$	Working temperature	-35°C~+50°C
Rated load	400W (Capacitive load) 800W (Resistive load)	IP rating	IP65

1. Sensitivity

Sensitivity can be adjusted by selecting the combination on the DIP switches for different applications.

- I - 100% ON
- II - 75%
- III - 50%
- IV - 40%
- V - 30%
- VI - 15%

	1	2	3	
I	●	○	●	100%
II	●	○	○	75%
III	○	●	●	50%
IV	○	●	○	40%
V	○	○	●	30%
VI	○	○	○	15%

2. Hold-time

Hold-time refers to the time period that the light remains 100% on if no more movement is detected.

- I - 30min ON
- II - 15min
- III - 3min
- IV - 30s
- V - 10s
- VI - 1s

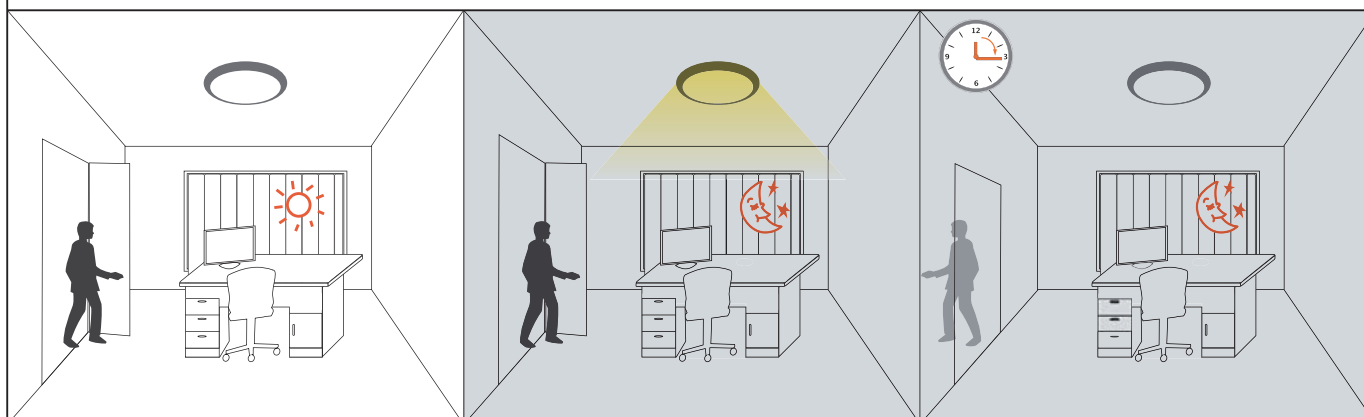
	4	5	6	
I	●	○	●	30min
II	●	○	○	15min
III	○	●	●	3min
IV	○	●	○	30s
V	○	○	●	10s
VI	○	○	○	1s

3. Daylight sensor

Different daylight threshold can be preset on DIP switches. Light will always turn on upon movement if daylight sensor is disabled.

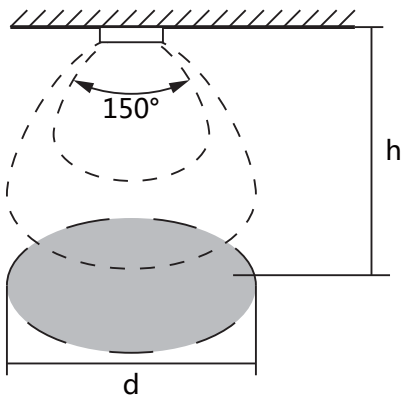
- I - 5Lux ON
- II - 20Lux
- III - 50Lux
- IV - Disable

	7	8	
I	●	●	5Lux
II	●	○	20Lux
III	○	●	50Lux
IV	○	○	Disable

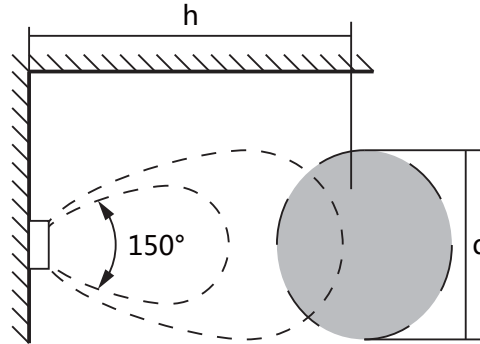


i Motion detection area

Ceiling mounted



Wall mounted



h	d
6m	12m
7.5m	14m
9m	16m



Values may differ significantly!

Reflected HF waves (e.g. of walls, floors, ceilings or furniture) from other transmitters affect motion detection.

Distance between sensors

