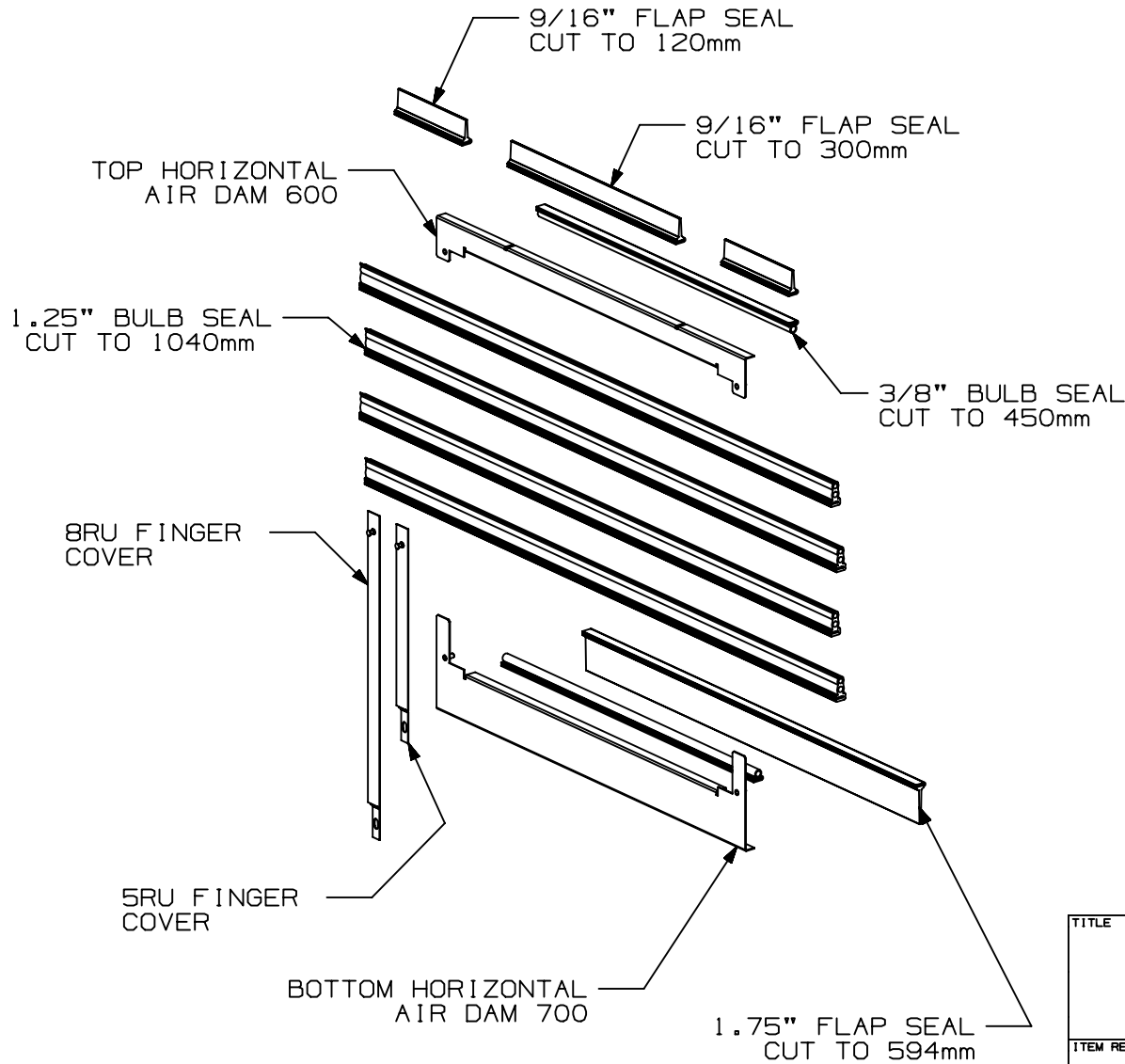


THIS COPY IS PROVIDED ON A RESTRICTED BASIS AND IS NOT TO BE USED IN ANY WAY DETRIMENTAL TO THE INTERESTS OF PANDUIT CORP.

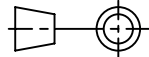


NOTES:

1. VISIT OUR ON-LINE CATALOG AT WWW.PANDUIT.COM FOR A LIST OF CURRENT PARTS APPLICABLE FOR USE WITH THIS PRODUCT.
2. PRIMARY DIMENSIONS ARE IN MILLIMETERS.
3. PARTS SUPPLIED:
 - (1) TOP HORIZONTAL AIR DAM
 - (1) BOTTOM HORIZONTAL AIR DAM
 - (10) 8RU FINGER COVER
 - (14) 5RU FINGER COVER
 - (2) 9/16" FLAP SEAL CUT TO 120mm
 - (1) 9/16" FLAP SEAL CUT TO 300mm
 - (4) 1.25" BULB SEAL CUT TO 1040mm
 - (2) 3/8" BULB SEAL CUT TO 450mm
 - (1) 1.75" FLAP SEAL CUT TO 594mm
 - (4) M5 FLANGE HEX NUT (NOT SHOWN)
 - (1) INSTALLATION INSTRUCTIONS (NOT SHOWN)
4. ALL FLAP AND BULB SEALS ARE BLACK, REGARDLESS OF KIT COLOR, ONLY TOP HORIZONTAL AND BOTTOM HORIZONTAL AIR DAMS ARE PAINTED BLACK OR WHITE.

PANDUIT PART NO.	WEIGHT
XG-ADS6*	2.9 Kg 6.4 lbs

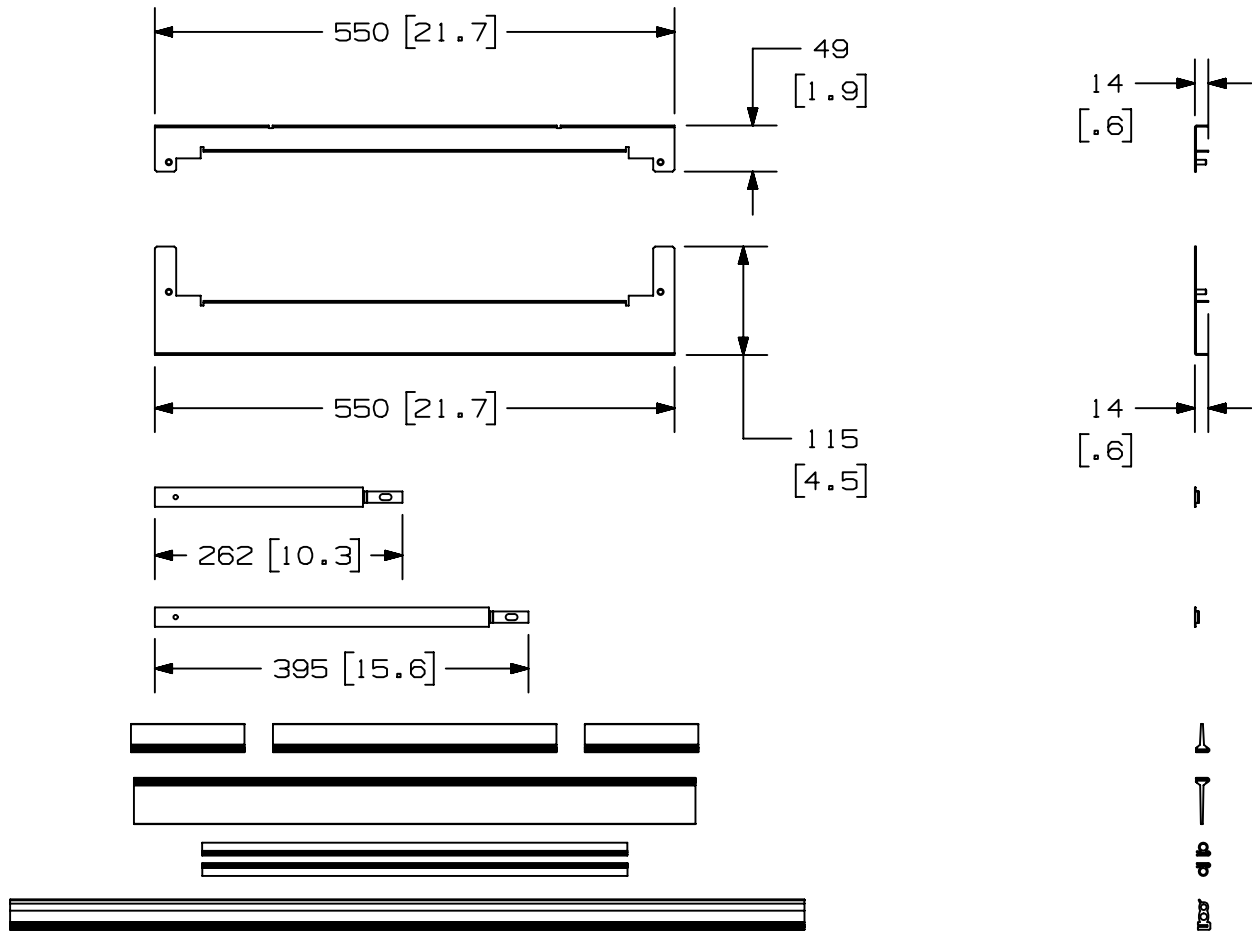
* DENOTES COLOR
ADD SUFFIX "B" FOR BLACK
AND "W" FOR WHITE.

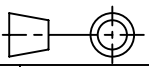
TITLE		FLEXFUSION 600 AIR DAM SEAL KIT (XG-ADS6B & XG-ADS6W)	
		CUSTOMER DRAWING	
ITEM REVISION NAME		00460EIH/00	
DATASET FILE NAME		00460EIH_DC/00B	
		PANDUIT	
		MATERIAL: N/A	
		DRAWING NUMBER: 00460EIH_DC	
		THIRD ANGLE PROJECTION	
DRAWN BY	DATE	CHK	SCALE
MEX-JAGC	2/22/21	EWSA	NONE
REV		SHT 1 OF 2	
DATE		A	

00B	6/15/21	MEX-JAGC	EWSA	ELE	DRAWING RELEASE	V09002EW/03
REV	DATE	BY	CHK	APR	DESCRIPTION	ECN

XGLOBAL-ASIZE

THIS COPY IS PROVIDED ON A RESTRICTED BASIS AND IS NOT TO BE USED IN ANY WAY DETRIMENTAL TO THE INTERESTS OF PANDUIT CORP.



TITLE		FLEXFUSION 600 AIR DAM SEAL KIT (XG-ADS6B & XG-ADS6W) CUSTOMER DRAWING				
ITEM REVISION NAME		00460EIH/00		PANDUIT		
DATASET FILE NAME		00460EIH_DC/00B				
				MATERIAL: N/A		
				DRAWING NUMBER: 00460EIH_DC		
		 THIRD ANGLE PROJECTION				
DRAWN BY	DATE	CHK	SCALE			
MEX-JAGC	2/22/21	EWSA	NONE			
REV			DESCRIPTION	ECN		
00B	6/15/21	MEX-JAGC	EWSA	ELE	DRAWING RELEASE	V09002EW/03
REV			DESCRIPTION	ECN		

XGLOBAL_ASIZE

2

1