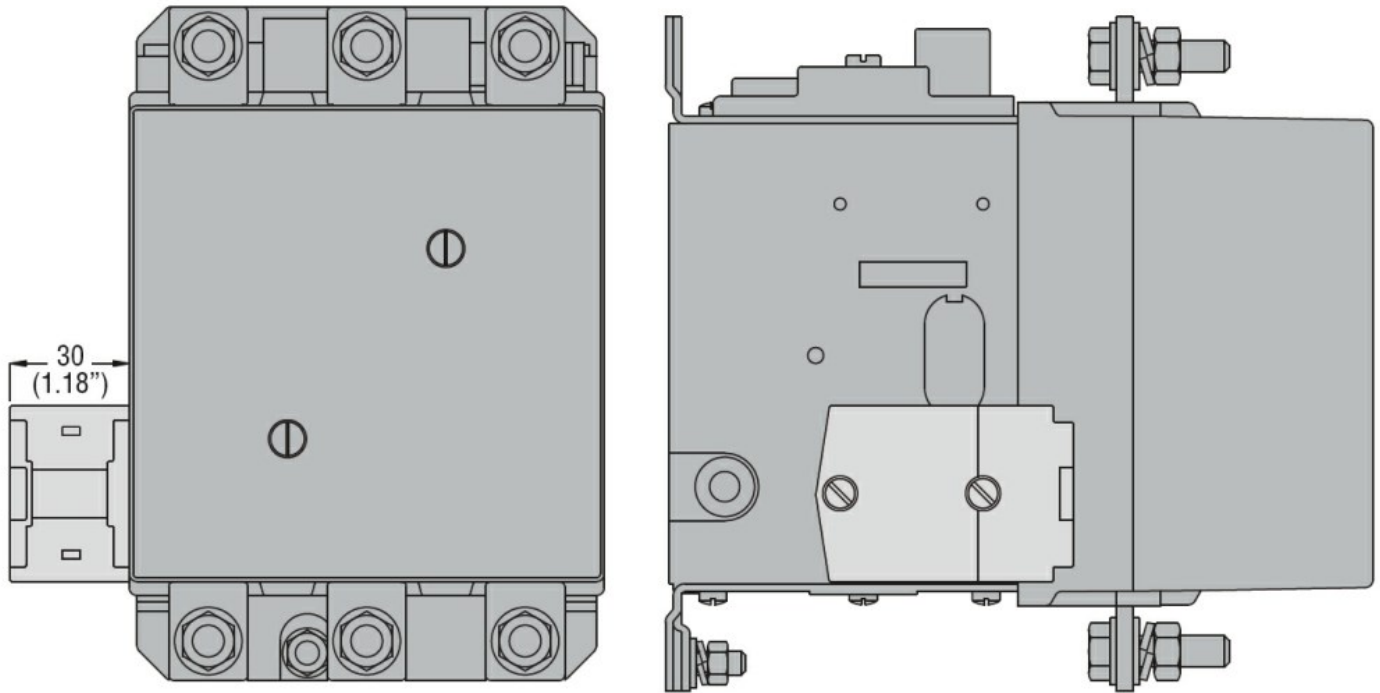




## Dimensions



## Certifications and compliance

Certificates

/

## ETIM classification

ETIM 8.0

EC002498 -  
Accessories/spare  
parts for low-  
voltage switch  
technology