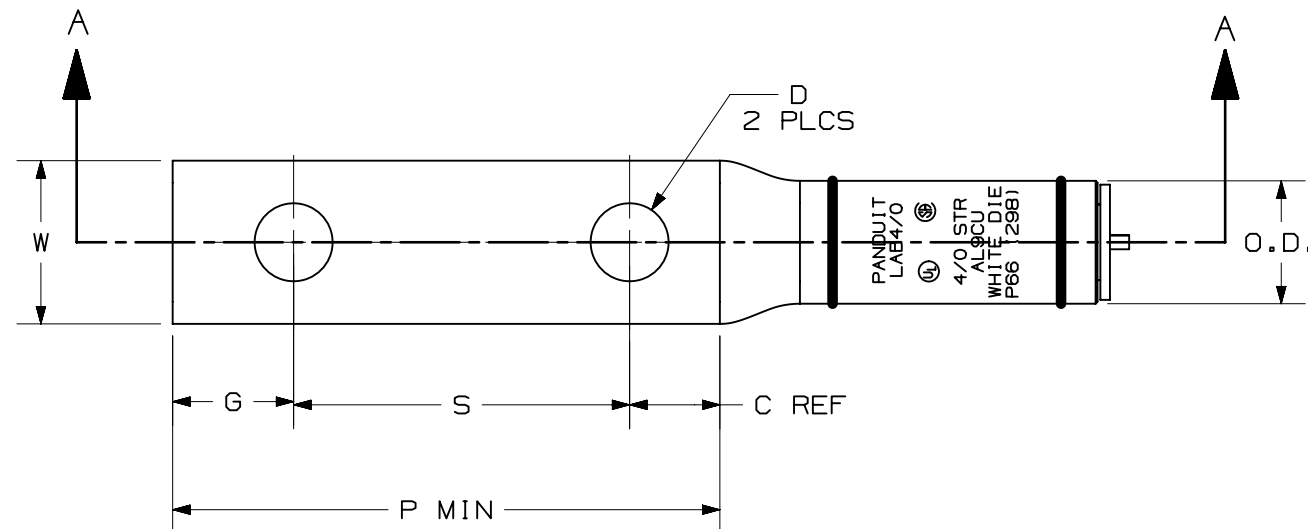


PANDUIT PART NUMBER	PACKAGE QUANTITY	CONDUCTOR SIZE	WIRE STRIP LENGTH	STUD SIZE	OVERALL LENGTH "A" ±.12	BARREL LENGTH "B" MIN.	I.D. ±.01	O.D. ±.01	TONGUE WIDTH "W" ± .06	TONGUE THICKNESS "W" ± .02	TONGUE LENGTH "P" MIN.	HOLE OFFSET "G" ± .03	STUD HOLE DIA "D" ±.02	HOLE SPACING "S" ± .04	WRENCH CLEARANCE "C" REF	PANDUIT DIE COLOR CODE PANDUIT DIE INDEX NUMBER (BURNDY DIE INDEX NUMBER)
LAB1/0-12-L	50	1/0 AWG	1-9/16"	1/2"	5.39	1.50	.39	.64	0.88	0.23	3.25	.63	.53	1.75	.87	TAN DIE P50 (296)
LAB2/0-12-E	20	2/0 AWG	1-9/16"	1/2"	5.56	1.50	.44	.69	0.94	0.25	3.25	.63	.53	1.75	.87	OLIVE DIE P54 (297)
LAB3/0-12-E	20	3/0 AWG	1-9/16"	1/2"	5.56	1.55	.48	.76	1.03	0.27	3.25	.63	.53	1.75	.87	RUBY DIE P60 (467)
LAB4/0-12-ER	20	4/0 AWG	1-3/4"	1/2"	5.94	1.75	.55	.88	1.19	0.31	3.38	.63	.53	1.75	1.00	WHITE DIE P66 (298)
LAB250-12-15	15	250 kcmil	1-3/4"	1/2"	6.05	2.00	.59	.91	1.26	0.31	3.38	.63	.53	1.75	1.00	RED DIE P71 (324)



NOTES:

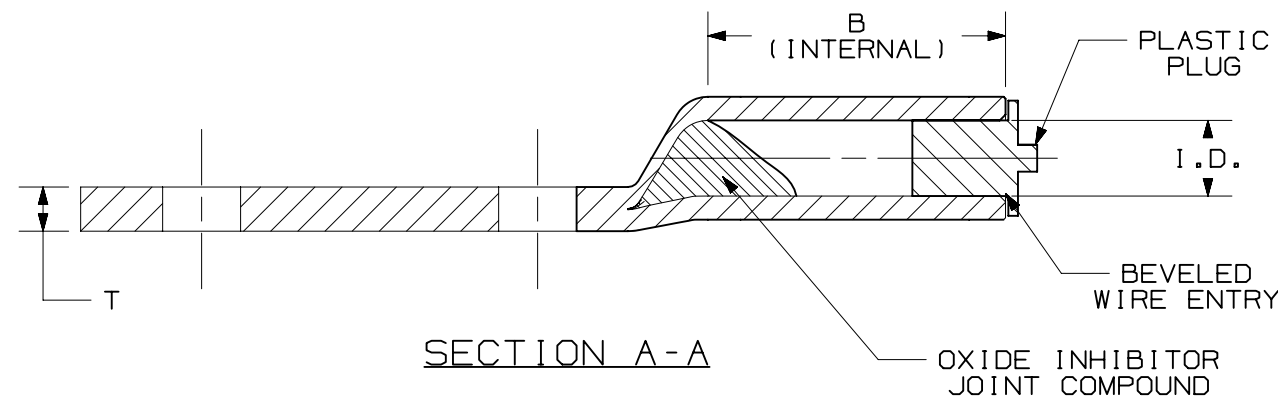
1. MATERIAL: SEAMLESS ALUMINUM TUBING, TIN PLATED
2. BARREL COLOR CODED WITH DIE SET INDEX NUMBER
3. WIRE TYPE:
COPPER CLASS B CONCENTRIC, COMPRESSED AND COMPACT STRANDED WIRE
COPPER CLASS C CONCENTRIC STRANDED WIRE
ALUMINUM CLASS B, CONCENTRIC, COMPRESSED, AND UNIDIRECTIONAL LAY COMPACT STRANDED WIRE
4. UL LISTED & CSA CERTIFIED TEMPERATURE RATED 90° (AL9CU)
5. UL LISTED & CSA CERTIFIED VOLTAGE RATING 35KV
6. DIMENSIONS IN INCHES



LISTED



CERTIFIED



REV	DATE	BY	CHK	APR	DESCRIPTION	ECN
01A	8-14-23	JHNU	JHNU	MRWA	A. CONVERTED TO NX	133208

PART NUMBER		SEE TABLE	
TITLE			
LAB SERIES ALUMINUM LUGS 1/0 AWG - 250 kcmil			
CUSTOMER DRAWING			
ITEM REVISION NAME		02903NBD/01	
DATASET FILE NAME		02903NBD-DC/01A	
THIRD ANGLE PROJECTION			
MATERIAL		SEE NOTES	
DRAWING NUMBER		02903NBD-DC	
DRAWN BY	DATE	CHK	SCALE
JHNU	8-22	JHNU	NONE
SHEET 1 OF 1			SIZE B