



Product designation  
Product type designation

Power contactor  
BF195

**Contact characteristics**

Number of poles	Nr.	3
Rated insulation voltage $U_i$ IEC/EN	V	1000
Rated impulse withstand voltage $U_{imp}$	kV	8
Operational frequency	min	Hz 25
	max	Hz 400
IEC Conventional free air thermal current $I_{th}$	A	275
Operational current $I_e$	AC-1 ( $\leq 40^\circ\text{C}$ )	A 275
	AC-1 ( $\leq 55^\circ\text{C}$ )	A 230
	AC-1 ( $\leq 70^\circ\text{C}$ )	A 200
	AC-3 ( $\leq 440\text{V} \leq 55^\circ\text{C}$ )	A 195
	AC-4 (400V)	A 95
Rated operational power AC-3 ( $T \leq 55^\circ\text{C}$ )	230V	kW 55
	400V	kW 90
	415V	kW 110
	440V	kW 110
	500V	kW 132
	690V	kW 160
	1000V	kW 90
Rated operational current AC-3 ( $T \leq 55^\circ\text{C}$ )	230V	A 195
	400V	A 195
	415V	A 195
	440V	A 195
	500V	A 184
	690V	A 165
	1000V	A 85
Rated operational power AC-1 ( $T \leq 40^\circ\text{C}$ )	230V	kW 104
	400V	kW 181
	500V	kW 199
	690V	kW 312
IEC max current $I_e$ in DC1 with $L/R \leq 1\text{ms}$ with 1 poles in series	$\leq 24\text{V}$	A 275
	48V	A 275
	75V	A 275
	110V	A 120
	220V	A —
IEC max current $I_e$ in DC1 with $L/R \leq 1\text{ms}$ with 2 poles in series	$\leq 24\text{V}$	A 275

	48V	A	275
	75V	A	275
	110V	A	170
	220V	A	150
<hr/>			
IEC max current Ie in DC1 with L/R ≤ 1ms with 3 poles in series			
	≤24V	A	275
	48V	A	275
	75V	A	275
	110V	A	170
	220V	A	150
	330V	A	150
<hr/>			
IEC max current Ie in DC1 with L/R ≤ 1ms with 4 poles in series			
	≤24V	A	275
	48V	A	275
	75V	A	275
	110V	A	275
	220V	A	275
<hr/>			
IEC max current Ie in DC3-DC5 with L/R ≤ 15ms with 1 poles in series			
	≤24V	A	275
	48V	A	275
	75V	A	180
	110V	A	90
	220V	A	–
<hr/>			
IEC max current Ie in DC3-DC5 with L/R ≤ 15ms with 2 poles in series			
	≤24V	A	275
	48V	A	275
	75V	A	180
	110V	A	140
	220V	A	100
<hr/>			
IEC max current Ie in DC3-DC5 with L/R ≤ 15ms with 3 poles in series			
	≤24V	A	275
	48V	A	275
	75V	A	180
	110V	A	160
	220V	A	140
	330V	A	100
<hr/>			
IEC max current Ie in DC3-DC5 with L/R ≤ 15ms with 4 poles in series			
	≤24V	A	275
	48V	A	275
	75V	A	180
	110V	A	160
	220V	A	160
	330V	A	160
	460V	A	100
<hr/>			
Short-time allowable current for 10s (IEC/EN60947-1)		A	1560
<hr/>			
Protection fuse			
	gG (IEC)	A	315
	aM (IEC)	A	250
<hr/>			
Making capacity (RMS value)		A	1658
<hr/>			
Breaking capacity at voltage			
	440V	A	1658
	500V	A	1326
	690V	A	1377
<hr/>			
Resistance per pole (average value)		mΩ	0.18

Power dissipation per pole (average value)

Ith	W	13
AC-3	W	6.7

Tightening torque for terminals

min	Nm	18
max	Nm	18
min	Ibin	159
max	Ibin	159

Tightening torque for coil terminal

min	Nm	0.8
max	Nm	1

Power terminal protection according to IEC/EN 60529

IP00

**Mechanical features**

Operating position

normal allowable	Vertical plan ±30°
---------------------	-----------------------

Fixing

Screw

Weight

g 3000

**Operations**

Mechanical life

cycles 10000000

Electrical life

cycles 1000000

**Safety related data**

Performance level B10d according to EN/ISO 13489-1

rated load cycles 1000000

EMC compatibility

yes

**AC coil operating**

Rated AC voltage at 50/60Hz, 60Hz

min	V	60
max	V	130

AC operating voltage

of 50/60Hz coil powered at 50Hz  
pick-up

min	%Us	80 Us min
max	%Us	110 Us max

drop-out

max	%Us	≤70 Us min
-----	-----	------------

of 50/60Hz coil powered at 60Hz  
pick-up

min	%Us	80 Us min
max	%Us	110 Us max

drop-out

max	%Us	≤70 Us min
-----	-----	------------

AC average coil consumption at 20°C

of 50/60Hz coil powered at 50Hz

in-rush	VA	160...230
holding	VA	1.5...3.0

of 50/60Hz coil powered at 60Hz

in-rush	VA	160...230
holding	VA	1.5...3.0

of 60Hz coil powered at 60Hz

in-rush	VA	160...230
holding	VA	1.5...3.0

Dissipation at holding ≤20°C 50Hz

W 1.5...3.0

**DC coil operating**

DC rated control voltage		min	V	60
		max	V	130

DC operating voltage				
	pick-up	min	%Us	85 Us min
		max	%Us	110 Us max
	drop-out	max	%Us	≤70 Us min

Average coil consumption ≤20°C		in-rush	W	160...230
		holding	W	1.5...3.0

**Max cycles frequency**

Mechanical operation			cycles/h	1000
----------------------	--	--	----------	------

**Operating times**

Average time for Us control				
	in AC			
		Closing NO		
			min	ms
			max	ms
		Opening NO		
			min	ms
			max	ms

**UL technical data**

Yielded mechanical performance				
	for three-phase AC motor			
		200/208V	HP	60
		220/230V	HP	75
		460/480V	HP	150
		575/600V	HP	150

**General USE**

Contactor				
		AC current	A	275
Short-circuit protection fuse, 600V				
	High fault	Short circuit current	kA	100
		Fuse rating	A	400
		Fuse class		J
	Standard fault	Short circuit current	kA	10
		Fuse rating	A	400
		Fuse class		RK5

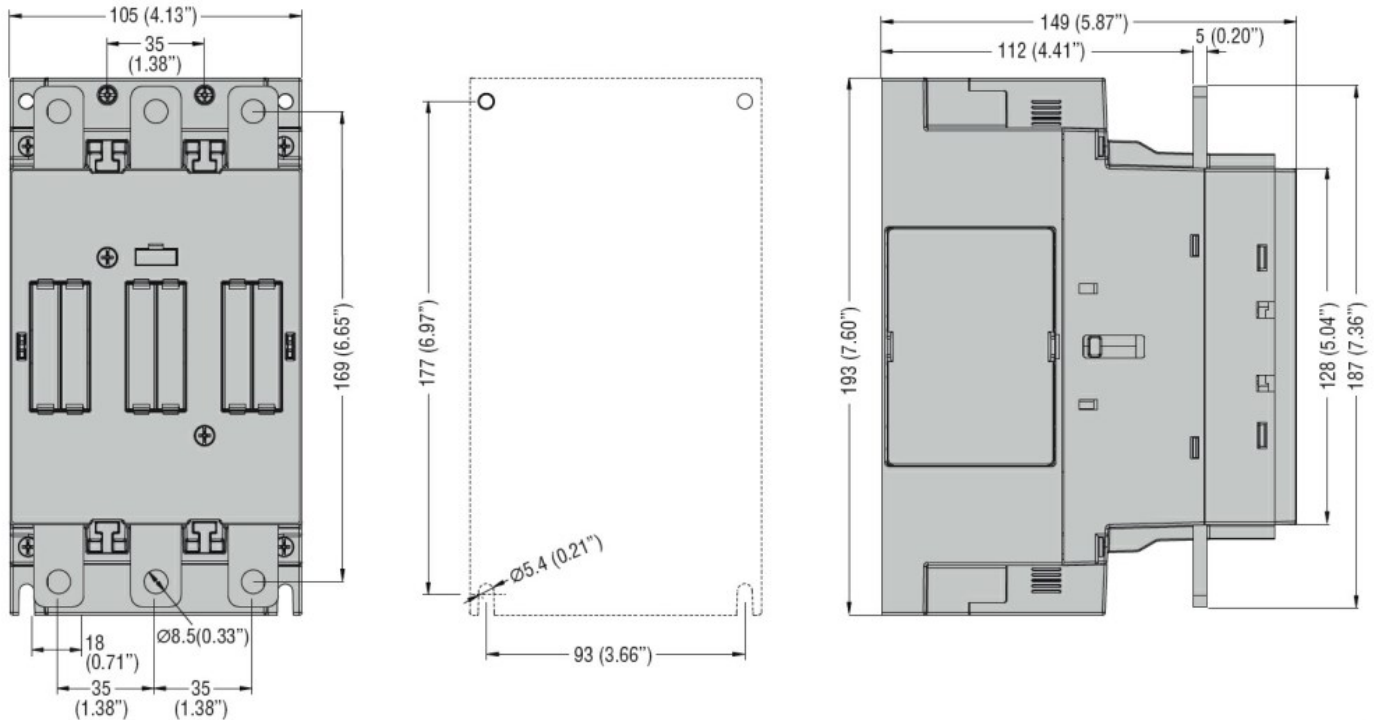
**Ambient conditions**

Temperature				
	Operating temperature	min	°C	-40
		max	°C	70
	Storage temperature	min	°C	-50
		max	°C	80
Max altitude			m	3000

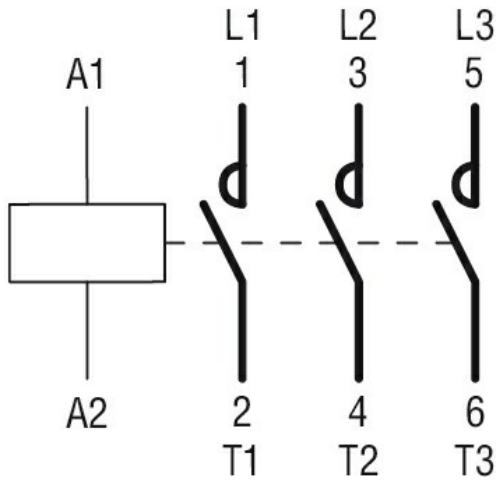
**Resistance & Protection**

Pollution degree				3
------------------	--	--	--	---

## Dimensions



## Wiring diagrams



## Certifications and compliance

### Compliance

CSA C22.2 n° 60947-1  
 CSA C22.2 n° 60947-4-1  
 IEC/EN/BS 60947-1  
 IEC/EN/BS 60947-4-1  
 UL 60947-1  
 UL 60947-4-1

### Certificates

cULus

## ETIM classification

ETIM 8.0

EC000066 -  
Power contactor,  
AC switching