

Part number

SQC 923 CS



Box, SQC series, for socket outlets
SQE/SQV/SQT series

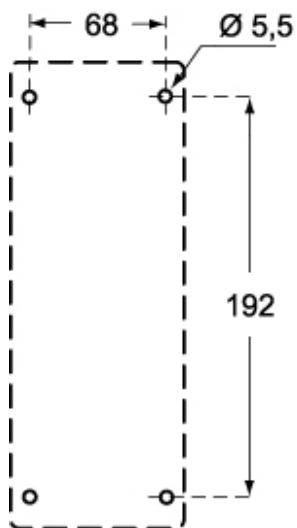
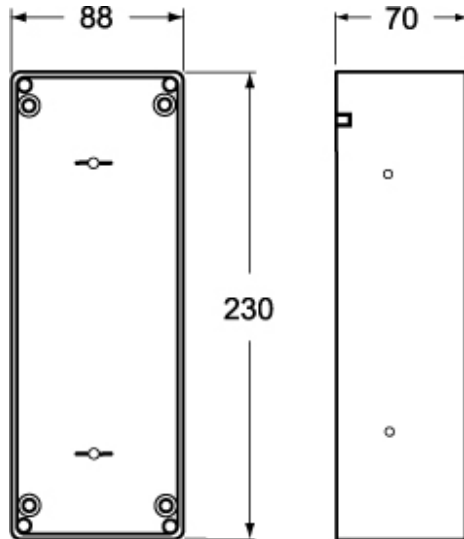
Product description		Material properties	
Product type	Box	Colour	RAL 7035 grey
Series	SQC	General ordering information	
Size	Socket fixing centre distance 88 x 230 mm	EAN13 code	8015747085250
Specification	For socket outlets SQE/SQV/SQT series 1 opening	Packaging Information	
Technical data		Packaging length	275,00 mm
IP degree of protection	IP55	Packaging height	230,00 mm
Further technical details		Packaging width	275,00 mm
Weight	366,00 g	Packaging weight	3,80 kg
Operating temperature range (min, max)	-40°C ... +125°C	Packaging volume	17,39 dm ³
		Packaging description	Carton box
		Packaging quantity	9 Pcs
		Packaging EAN code	8015747085267
		Sub-packaging weight	0,42 kg
		Sub-packaging description	Plastic packaging
		Sub-packaging quantity	1 Pcs
		Sub-packaging EAN barcode	8015747085274

Part number

SQC 923 CS



Catalogue drawings



Notes

Dimensions shown in mm are not binding and may be changed without notice.