

Enkel geschikt voor toestellen op zeer lage spanning (minder dan 50 V-AC / 120 V-DC)
 Convient uniquement pour les produits à très basse tension (moins de 50 V-AC / 120 V-DC)
 Geeignet für Güter mit sehr niedriger Spannung (unter 50 V-AC / 120 V-DC)
 Only suited for goods at very low voltage (below 50 V-AC / 120 V-DC)
 Se recomienda únicamente para aquellos productos de tensión muy baja (menos de 50 V-AC / 120 V-DC)
 Vale unicamente per i prodotti a tensione molto bassa (inferiore a 50 V-AC / 120 V-DC)

Not compatible with Class I devices and not with other companies Class III devices

IP20
 Beschermtd tegen vaste voorwerpen die groter zijn dan 12 mm
 Protégé contre les objets solides de plus de 12 mm
 Geschützt gegen Festkörper größer als 12 mm
 Protected against solid objects greater than 12 mm
 Protegido contra objetos sólidos superiores a 12 mm
 Protetto contro oggetti solidi più grandi di 12 mm

Install suitable means for overload and short-circuit protection according to local installation requirements. (IEC 60364-7-715)

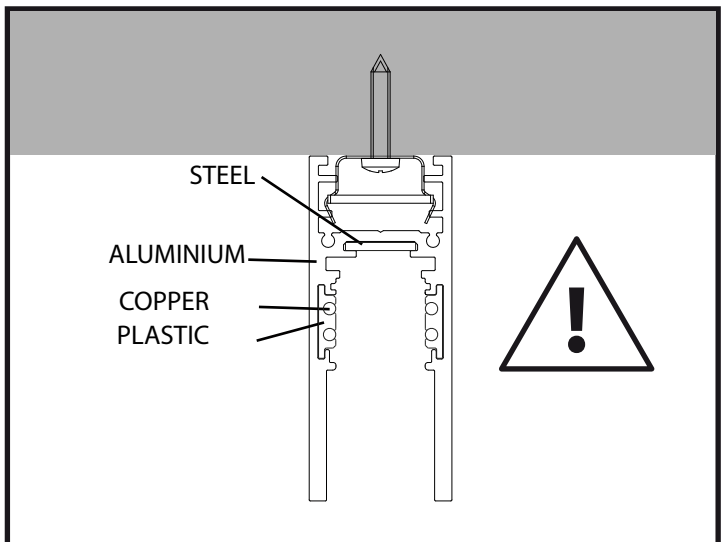
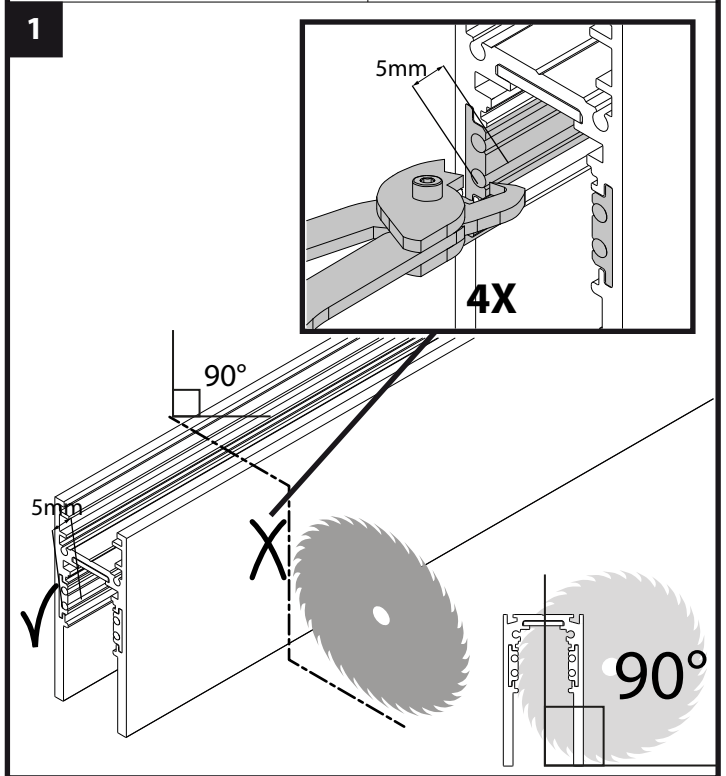
SLM26 H - PROFILE	
	SLM26H - PROFILE 23359 0000
48V-DC (2 conductors) MAX. 200W, MAX 50M 2 DIM conductors (for individual dimming) DALI dimmable luminaires on request	

SLM26H - PROFILE

DEEL
 PARTIE
 TEIL
 PART
 PARTE
 PARTE

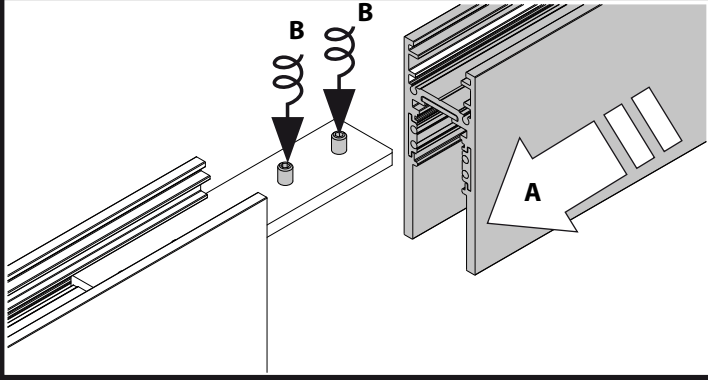
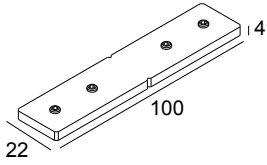
A

TRACK CUTTING TOOL	
	TRACK CUTTING TOOL 200 12 01
	 USE AFTER EVERY SAW CUT OF THE ALUMINIUM PROFILE SLM26H - PROFILE 1m SLM26H - PROFILE 2m SLM26H - PROFILE 3m



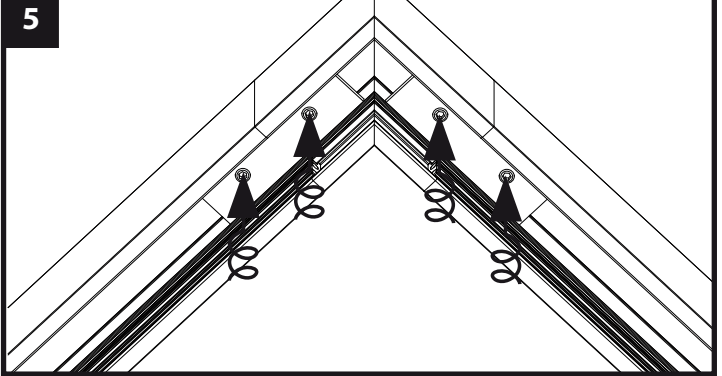
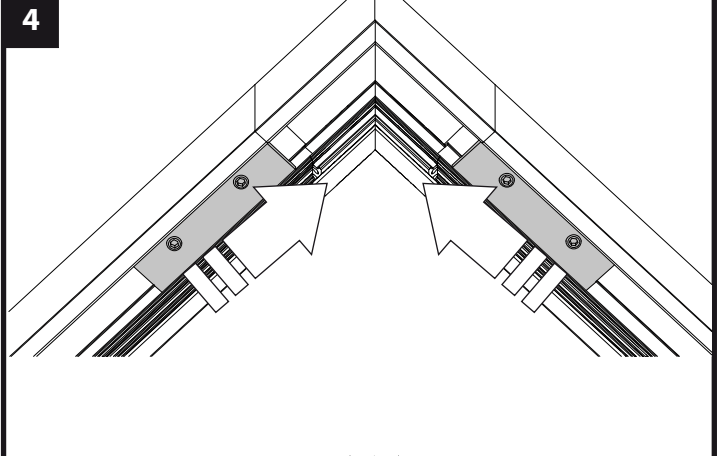
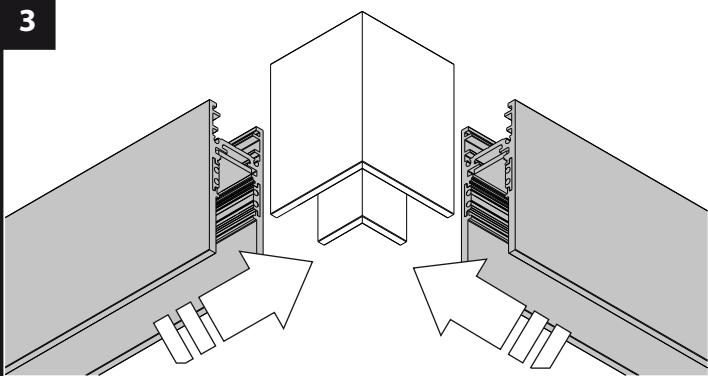
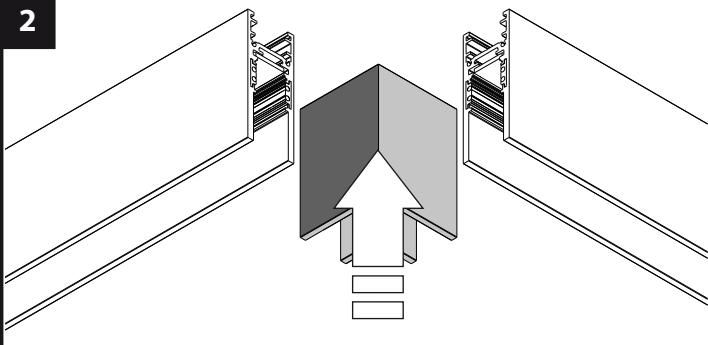
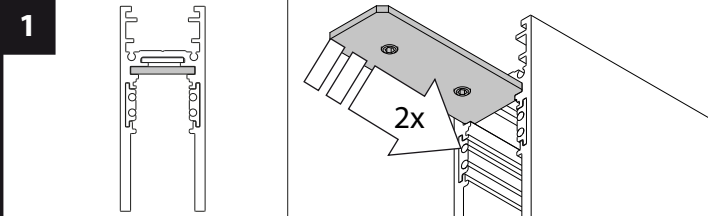
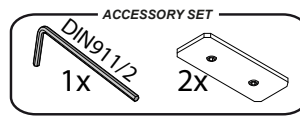
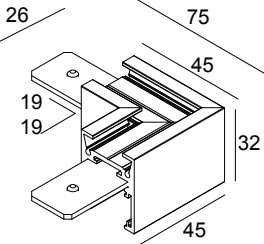
SLM26H - Corner 180°

SLM26H - Corner 180°
23359 0620

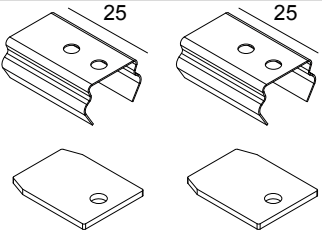


SLM26H - CORNER 90°


SLM26H - Corner set 90°
23359 0640



FIXATION

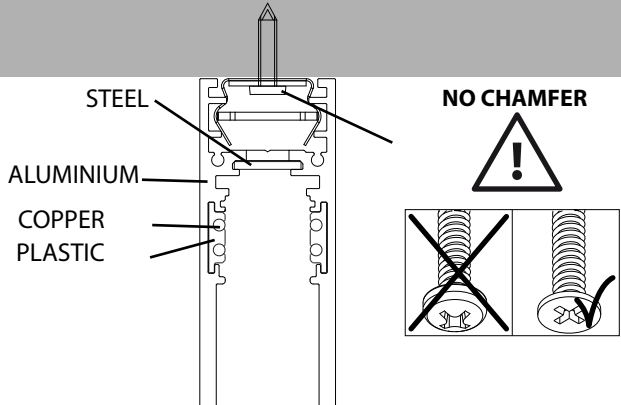


SLM26H - FIXATION SET
23359 1410



Min. 2x / 1m

POSITION FOR INSTALLATION



STEEL

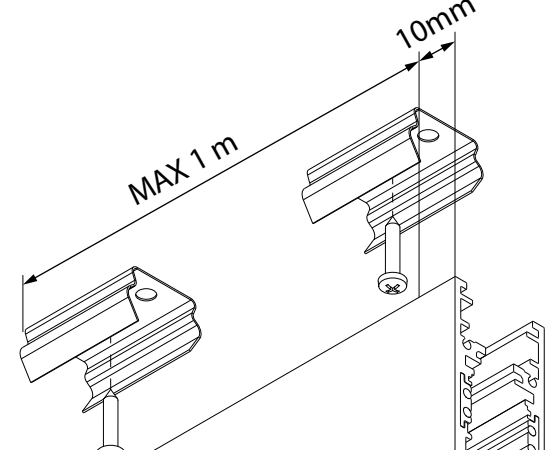
ALUMINIUM

COPPER

PLASTIC

NO CHAMFER

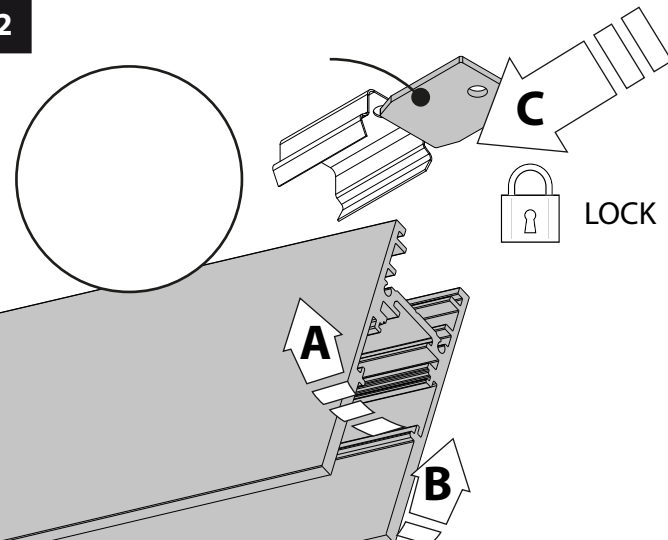
1



MAX 1 m

10mm

2



A

B

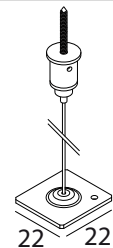
C

LOCK




IF LOCK NOT ACCESSIBLE,
FIX BY DRILL & SCREW

SUSPENSION SINGLE 1,6m



SLM - Suspension
single 1,6m
23359 0510

ACCESSORY SET



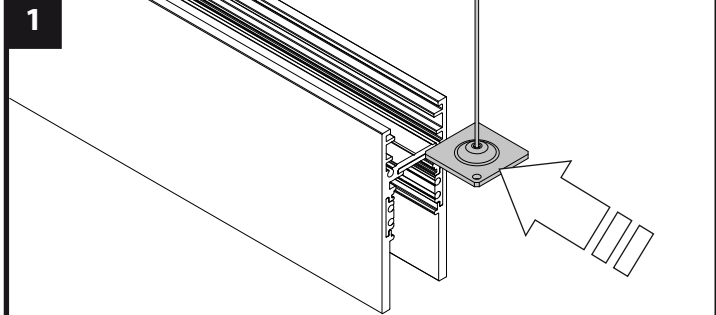
1x

1x

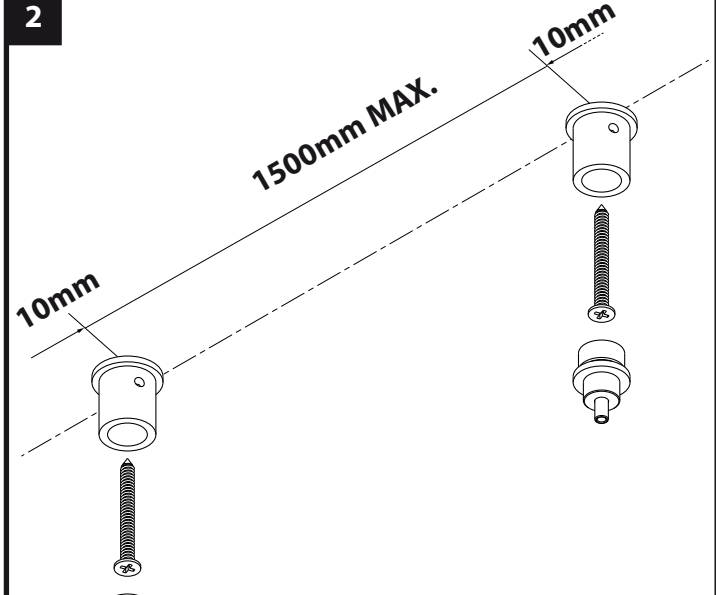
1x

1x

1



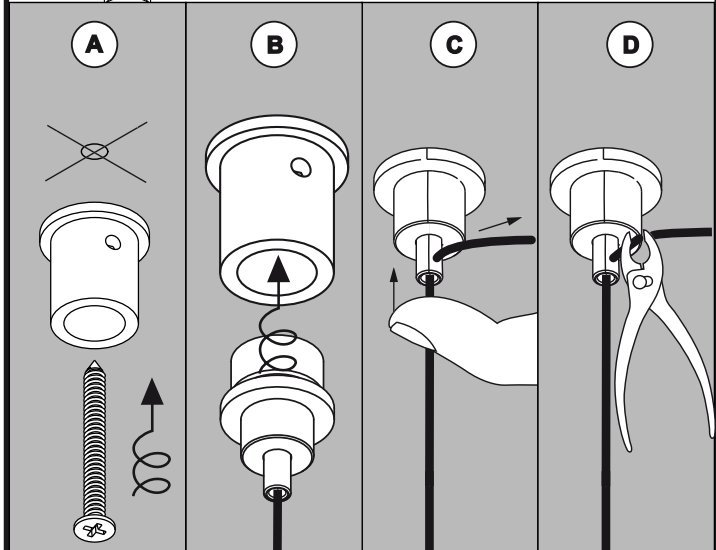
2



10mm

1500mm MAX.

10mm



A

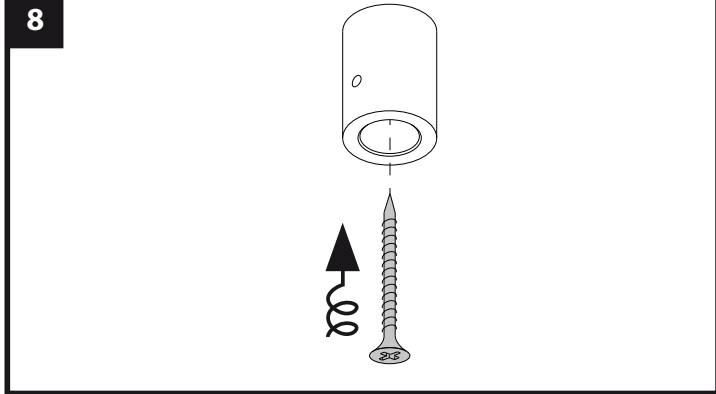
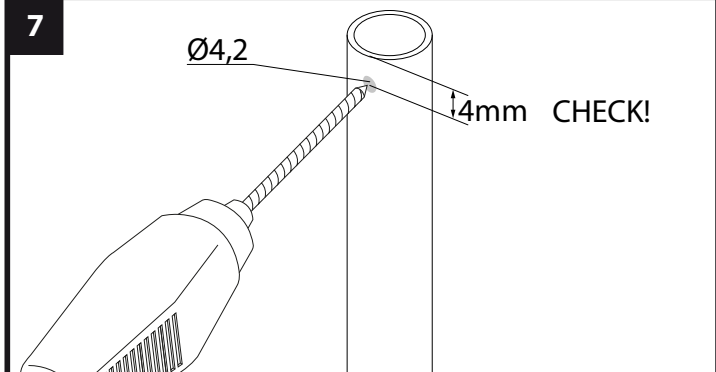
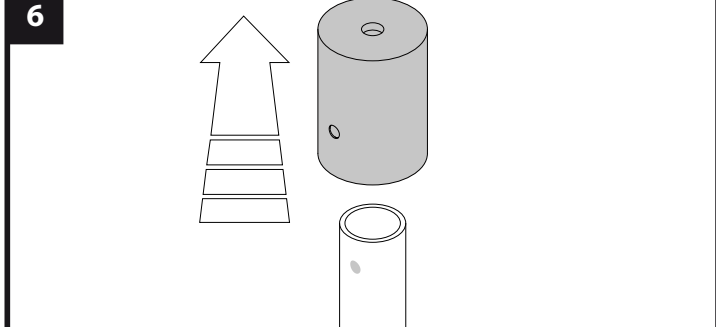
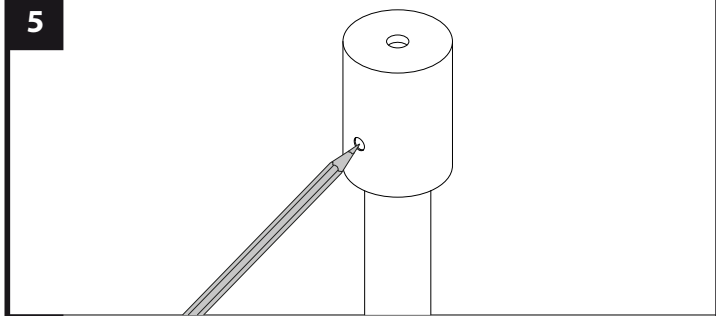
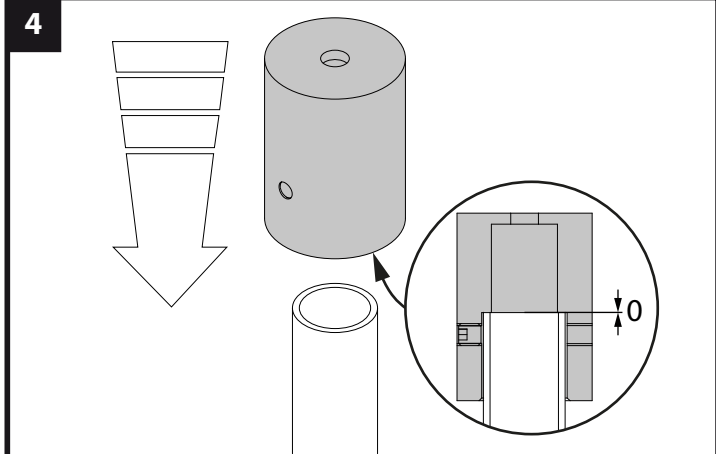
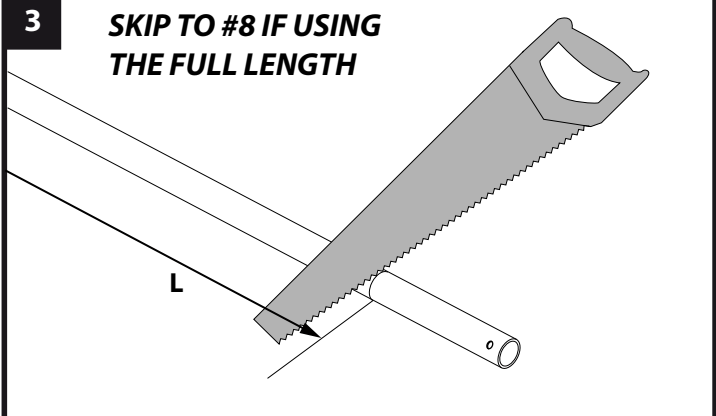
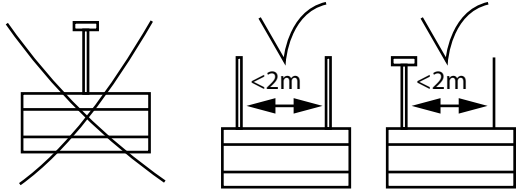
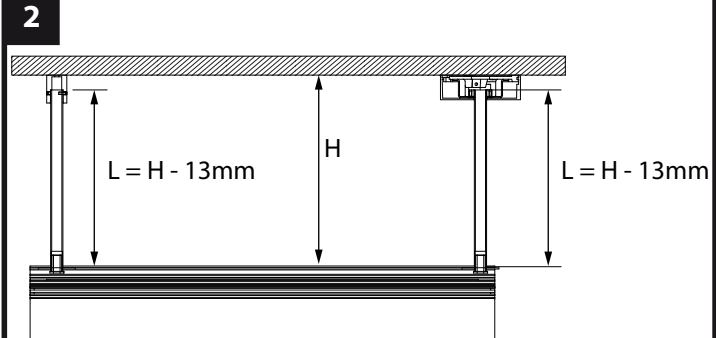
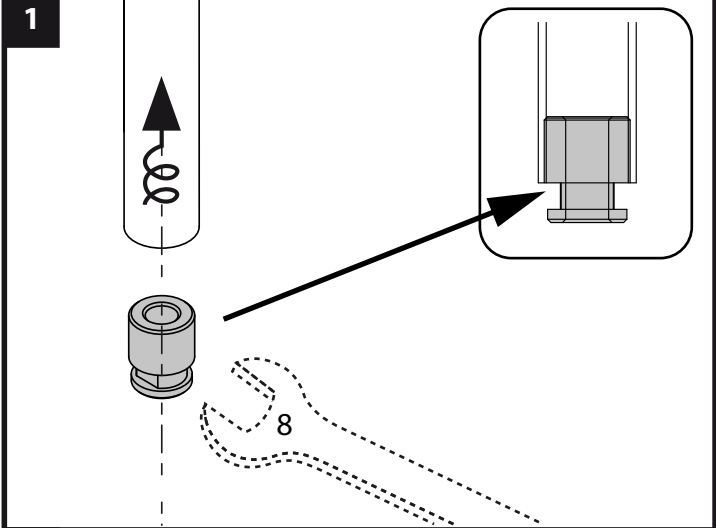
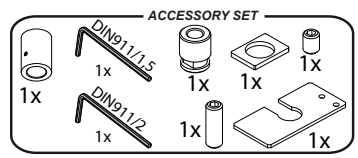
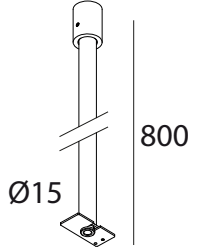
B

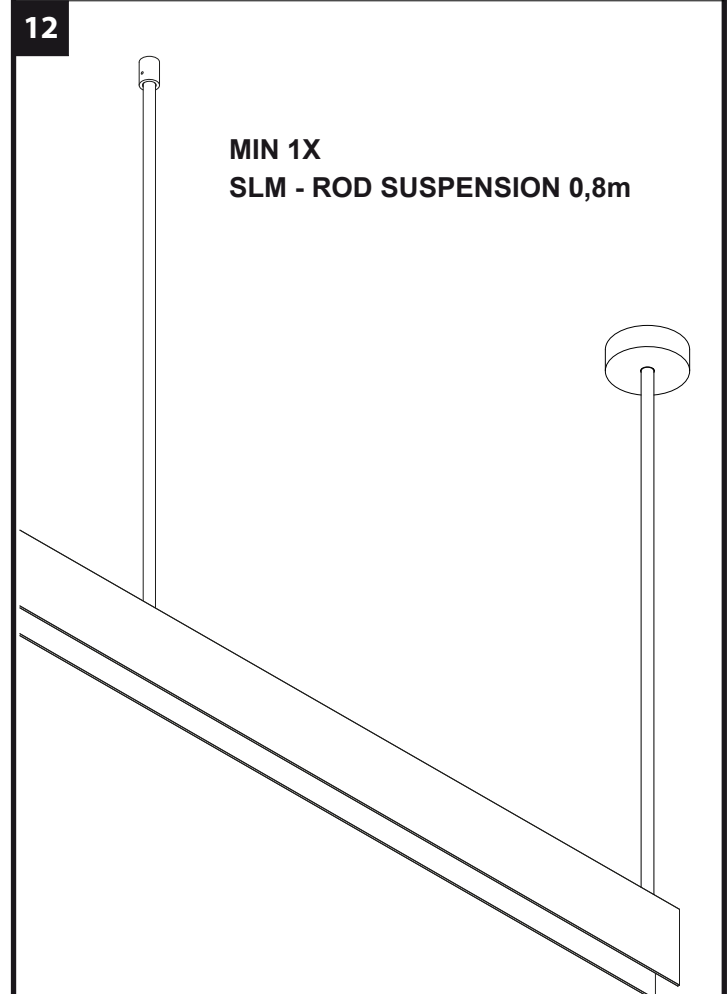
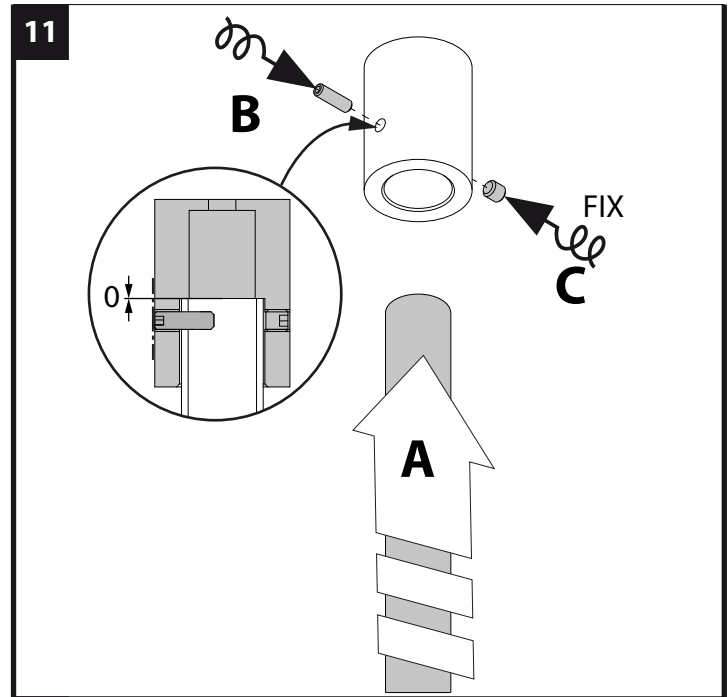
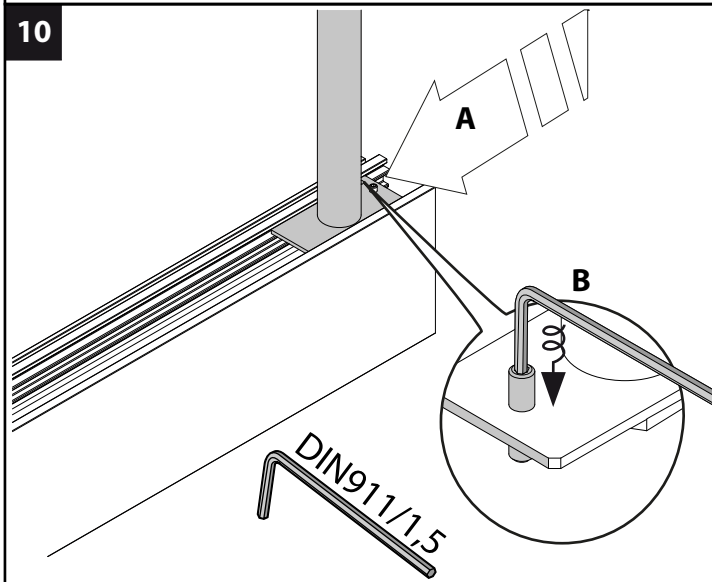
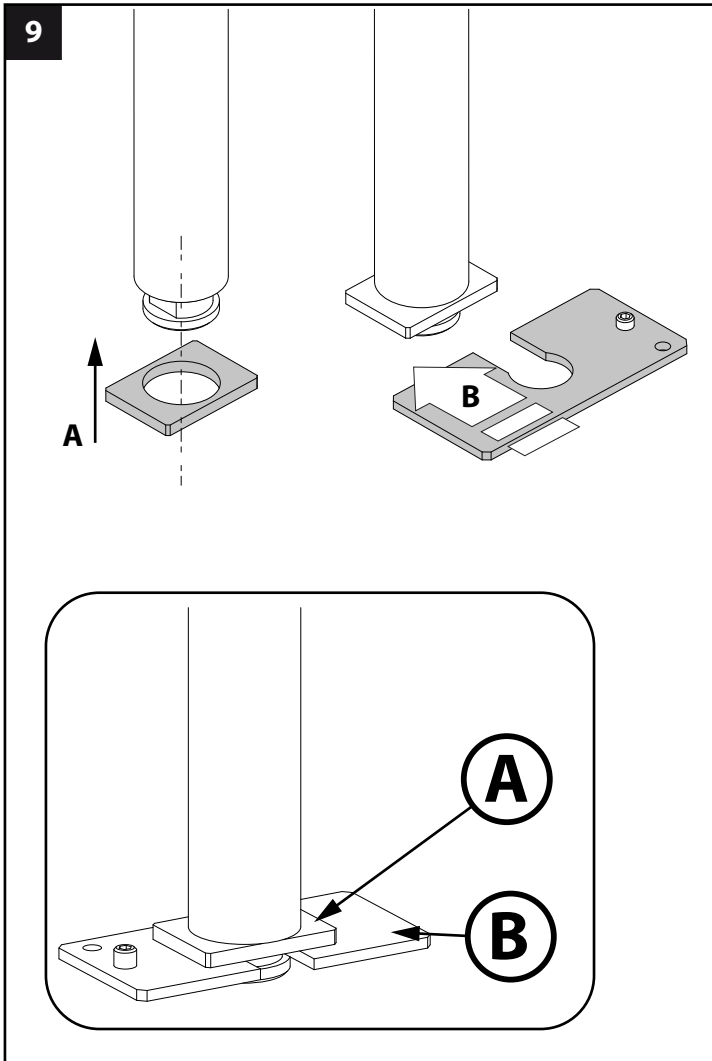
C

D

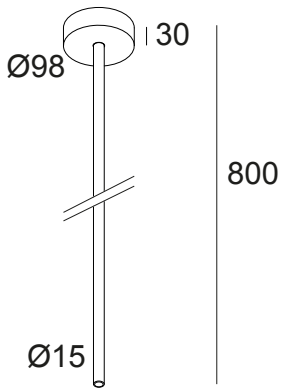
SLM - ROD SUSPENSION 0,8m

SLM - ROD SUSPENSION 0,8m
23358 1520

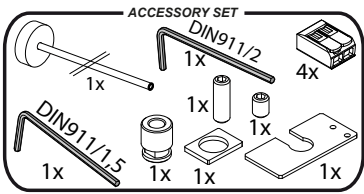




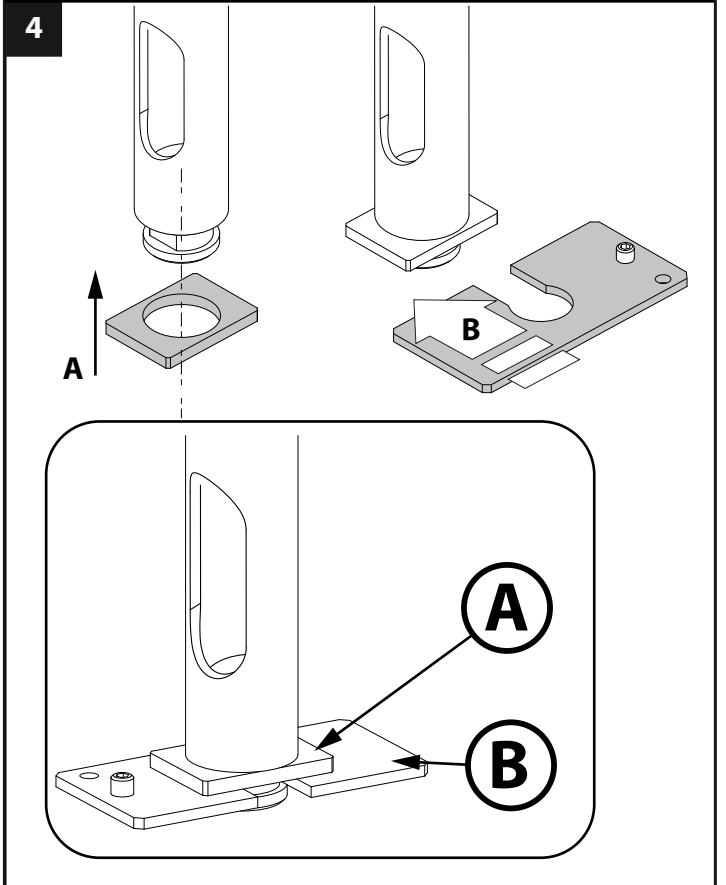
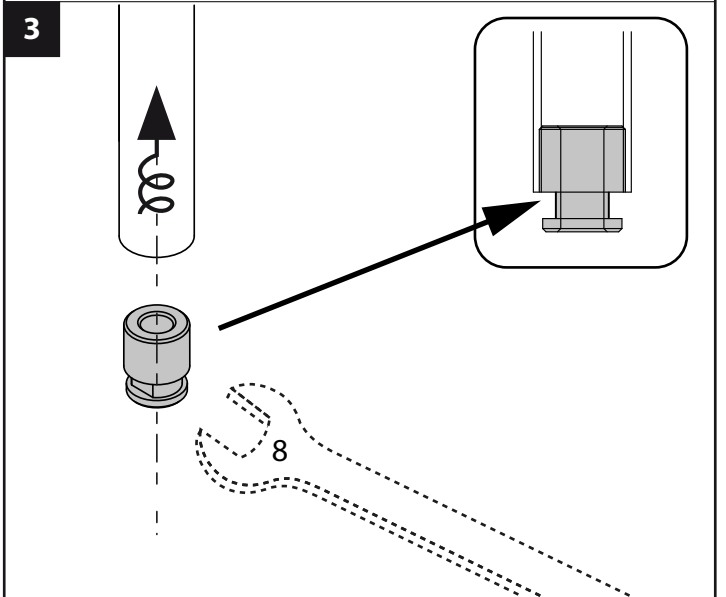
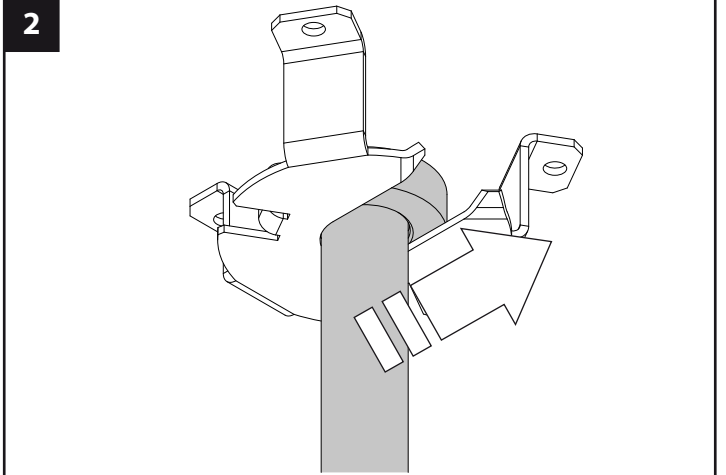
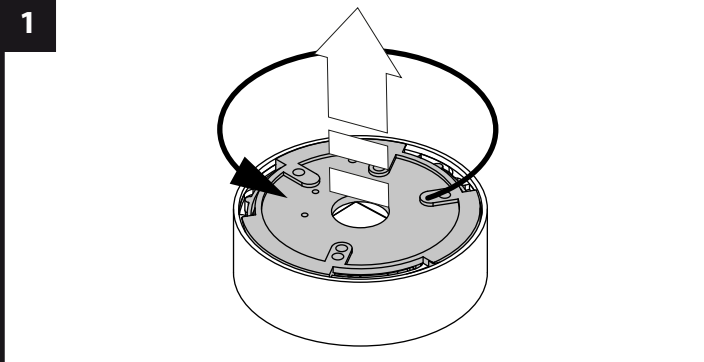
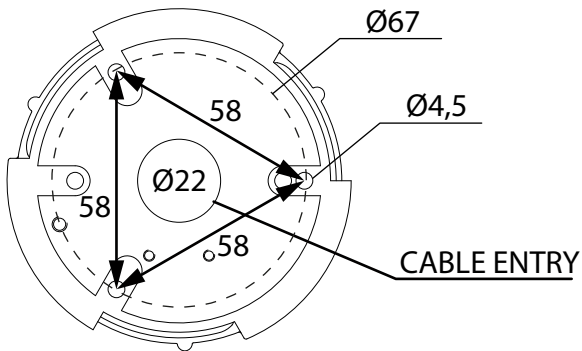
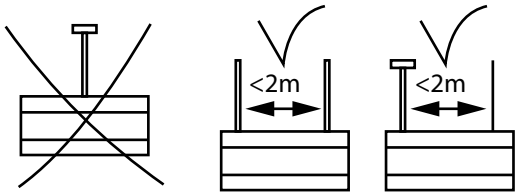
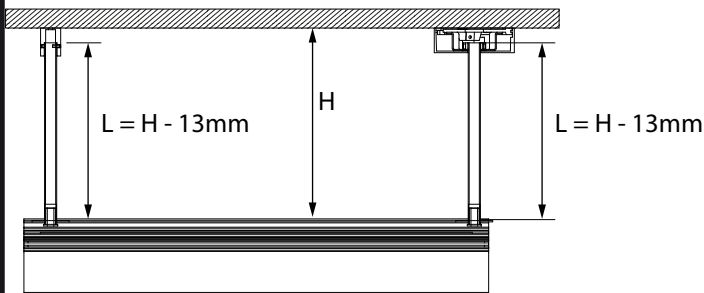
SLM - ROD SUSPENSION 0,8m + CONNECTION

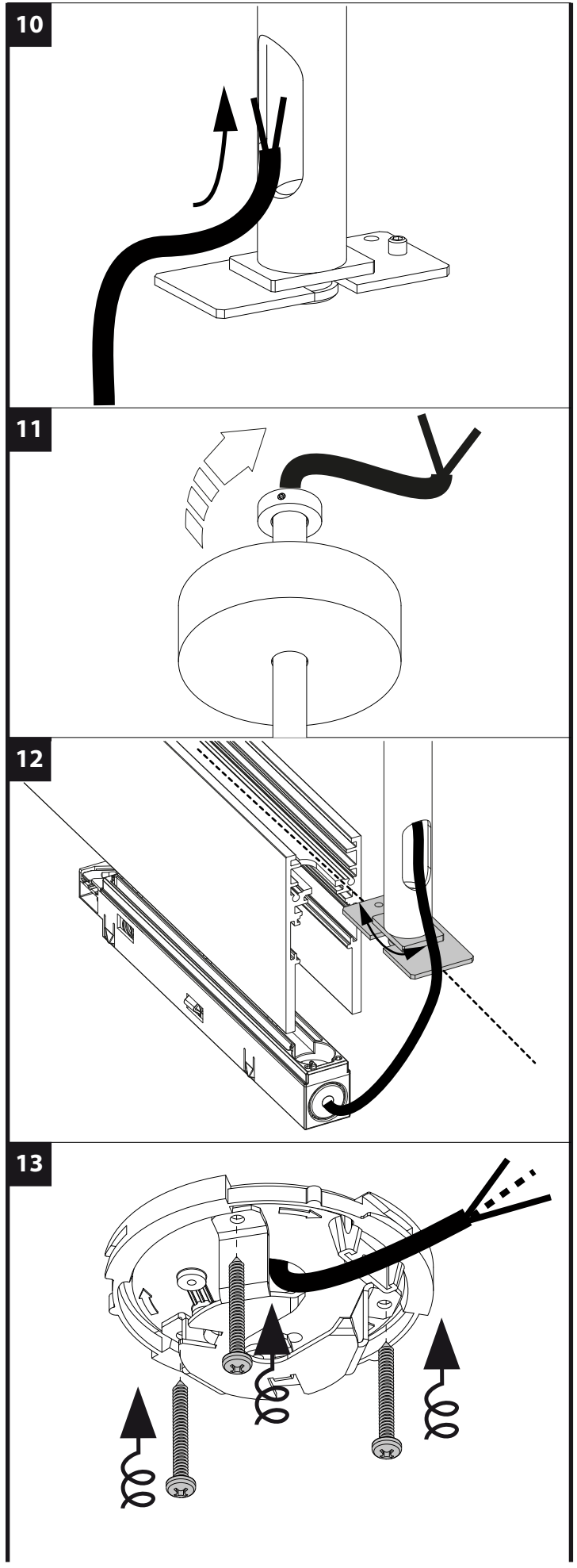
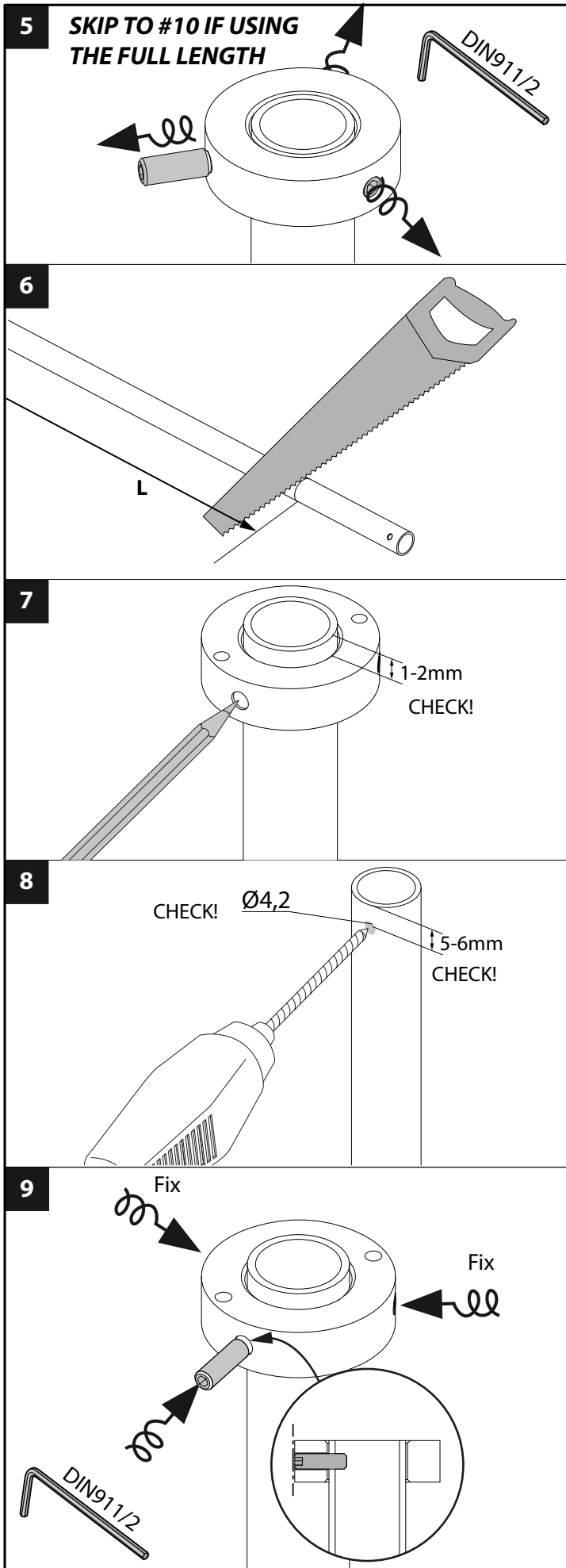


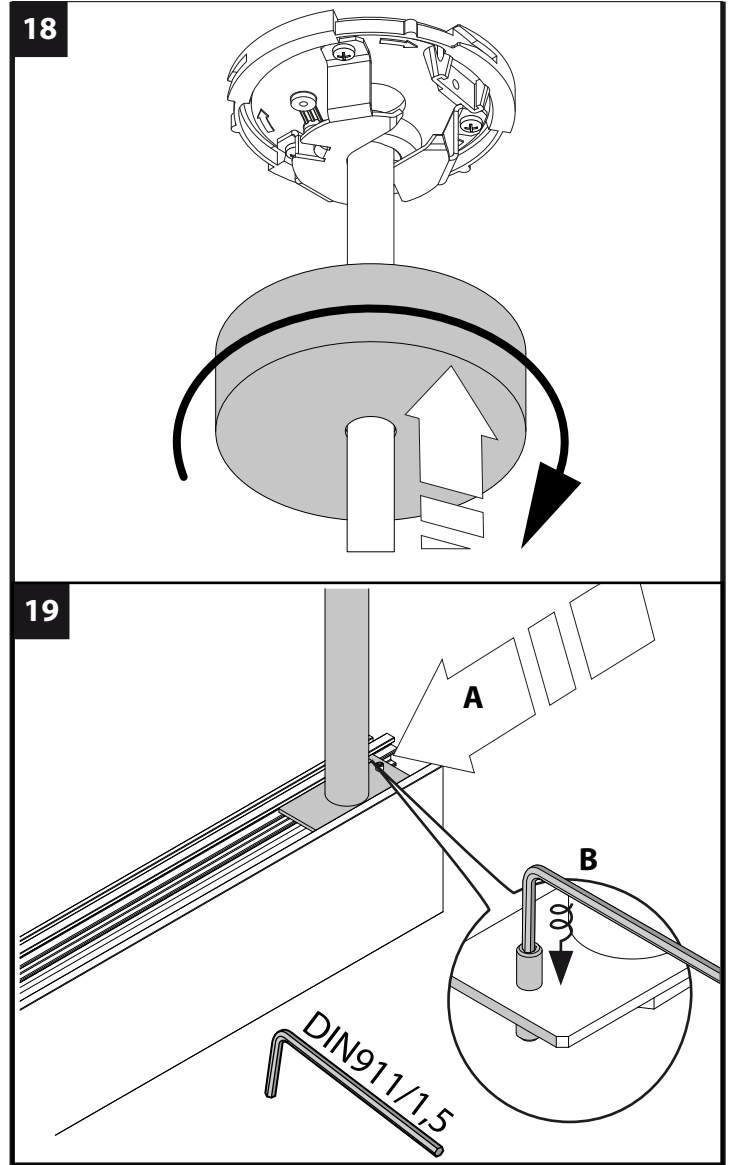
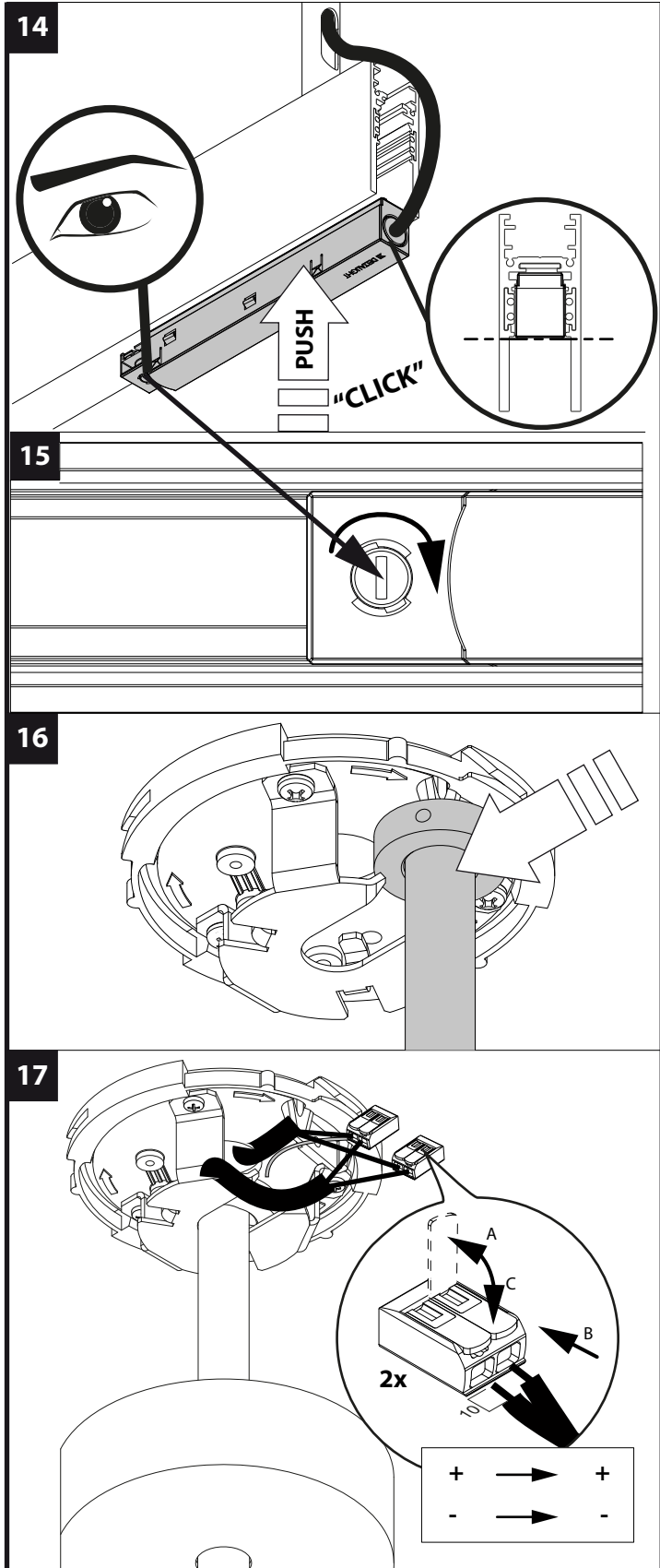
SLM - ROD SUSPENSION 0,8m + Connection
23358 1510



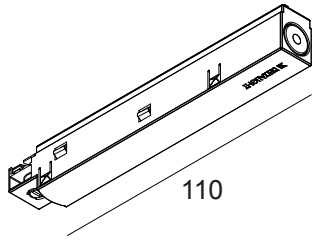
REQUIRED:
CURRENT SUPPLY SET







SPM - SUPPLY 48V

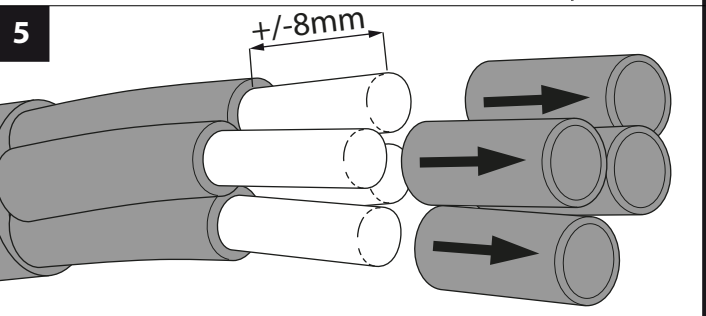
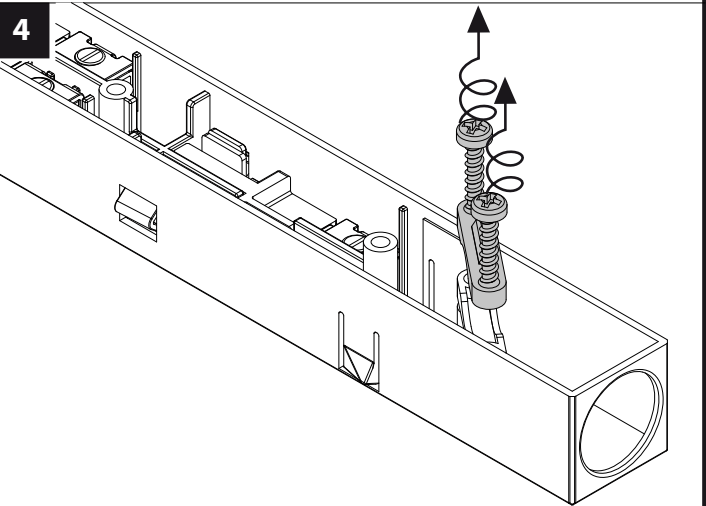
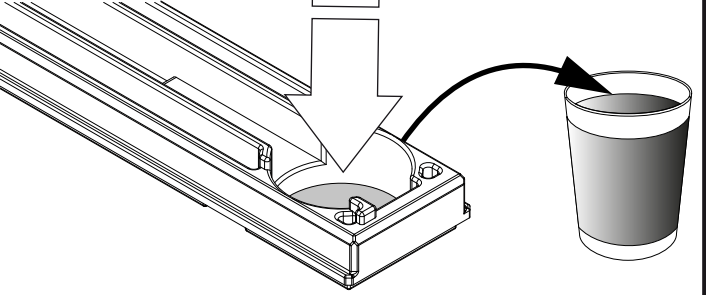
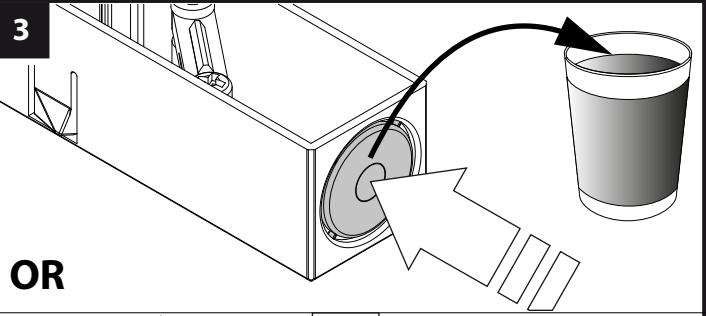
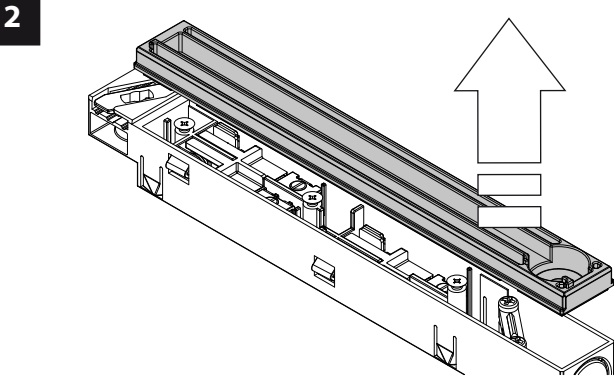
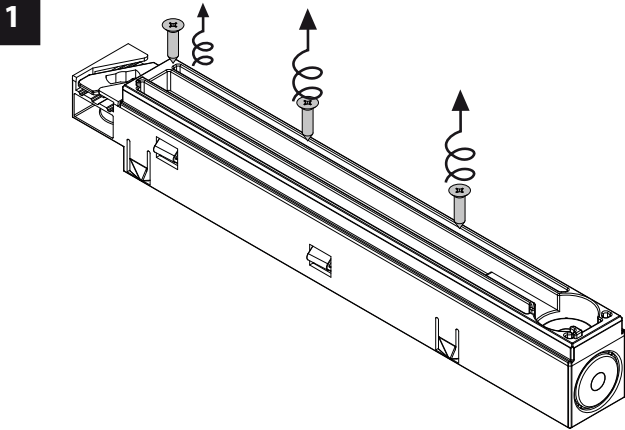
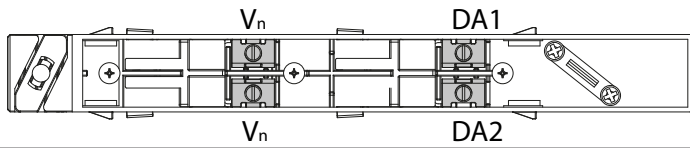


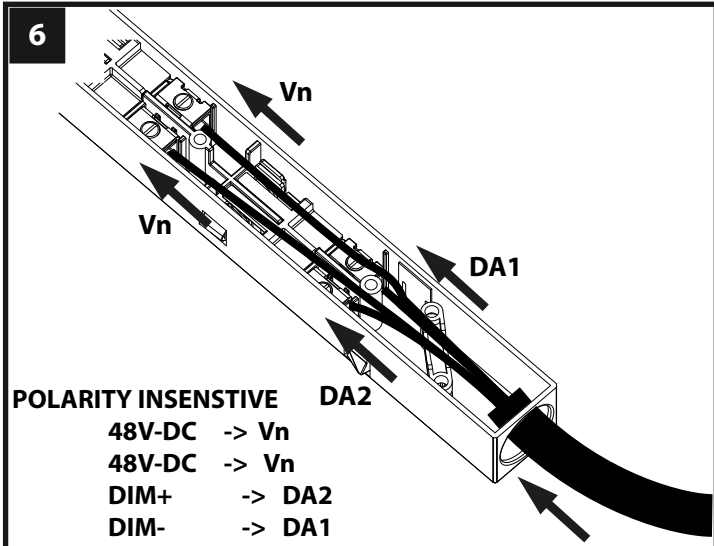
SPM - SUPPLY 48V
420 99 03

48V-DC
MAX. 200W
MAX. 50M

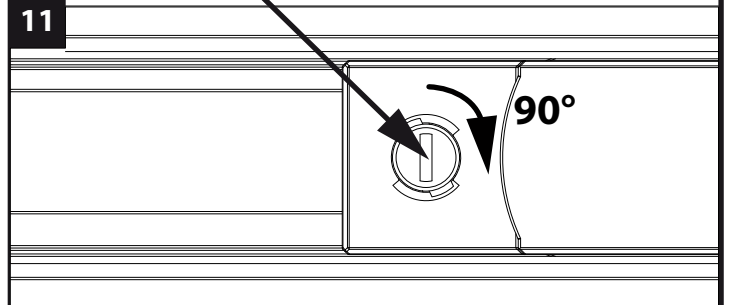
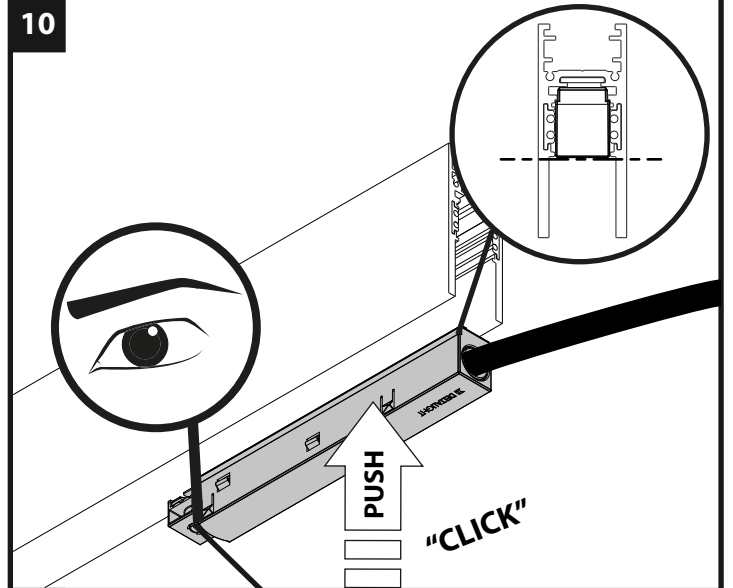
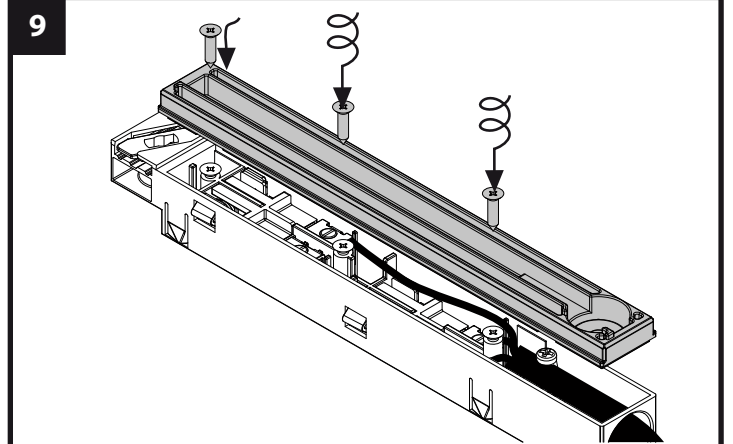
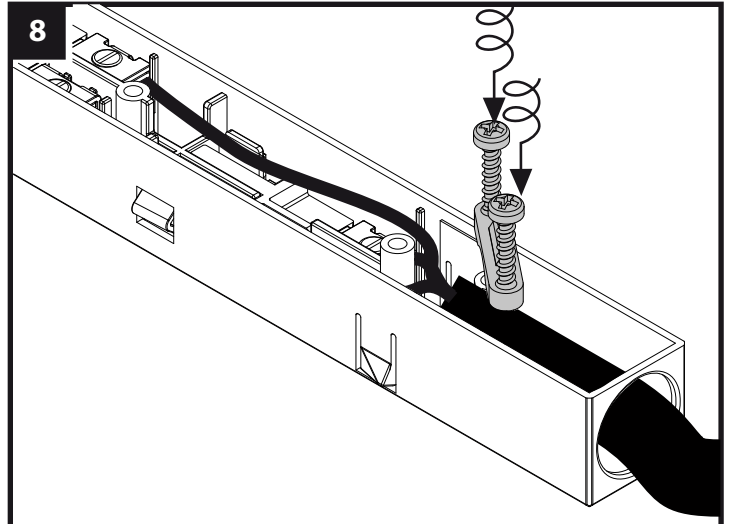
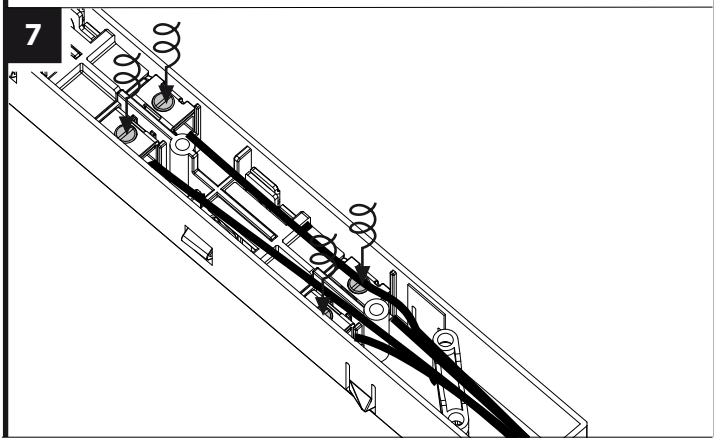
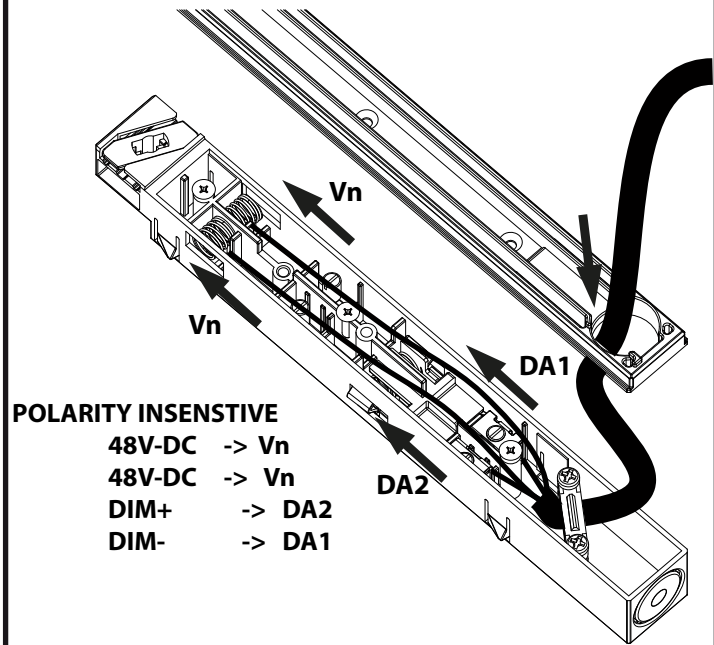
Connector should only be connected to SELV Voltage

DA1 & DA2 : DALI
CHANNELS FOR ED5 MODULES

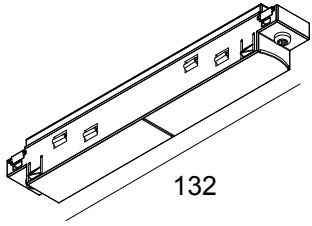




OR



SPM - CONNECTOR 48V - 180°



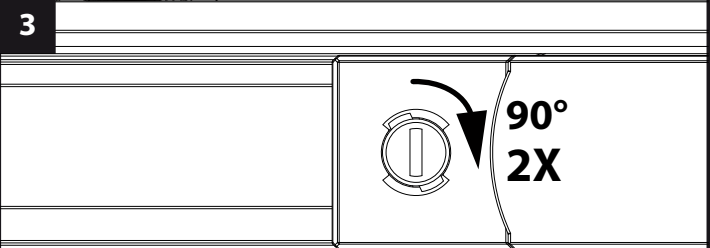
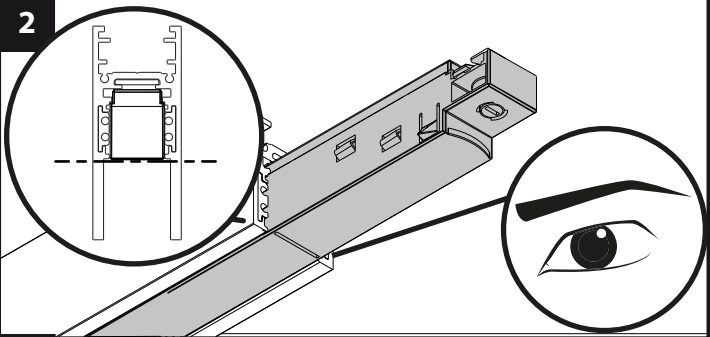
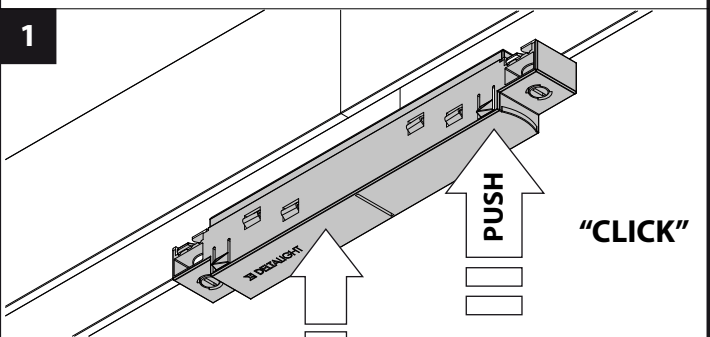
SPM - CONNECTOR 48V - 180°
420 99 01

48V-DC
MAX. 200W
MAX. 50M

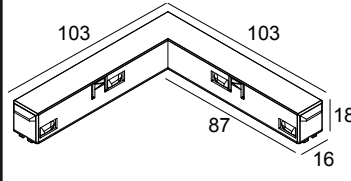


CAUTION

TO REDUCE THE RISK OF OVERHEATING AND FIRE, DO NOT BRIDGE CONDUCTORS



SPM - CONNECTOR 48V - 90°



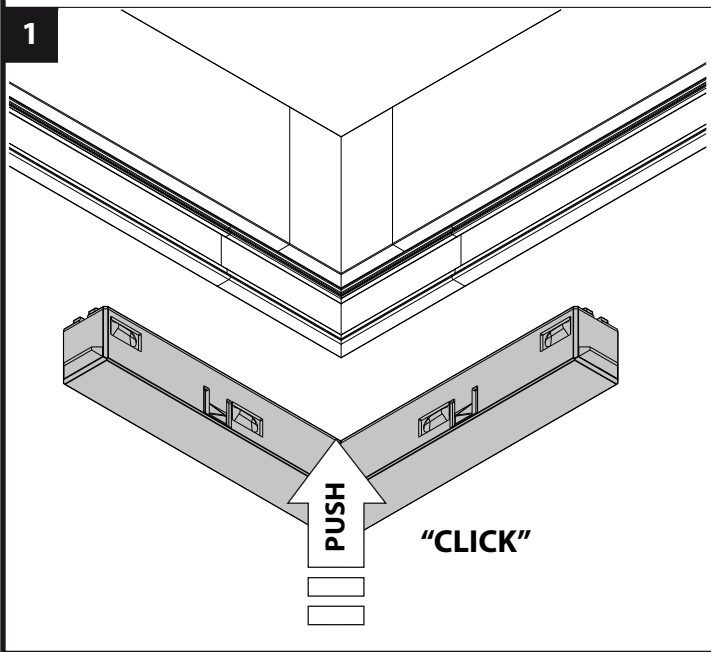
SPM - CONNECTOR 48V-90°
23300 9920

48V-DC
MAX. 200W
MAX. 50M

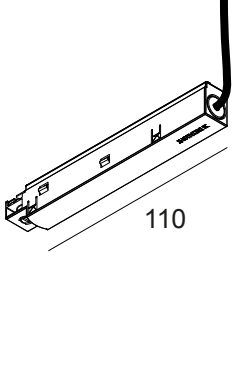


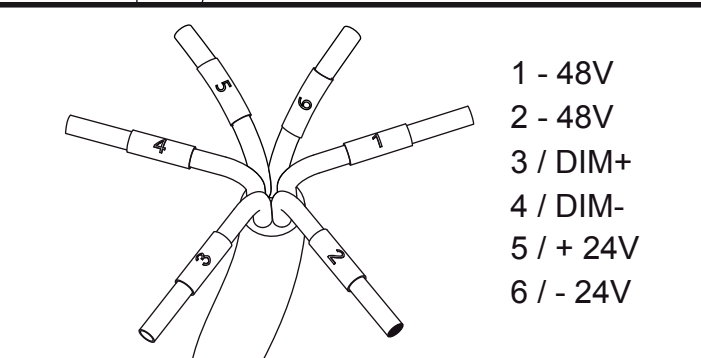
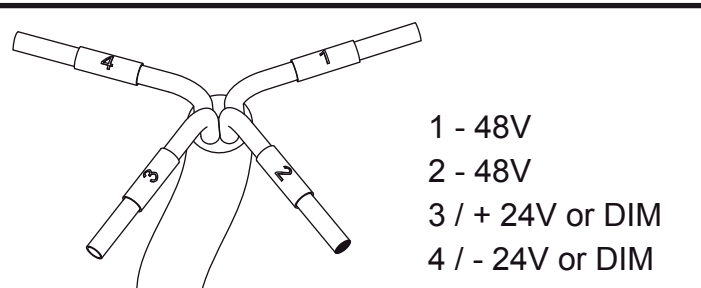
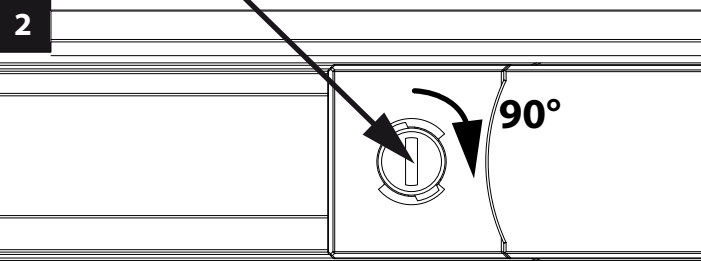
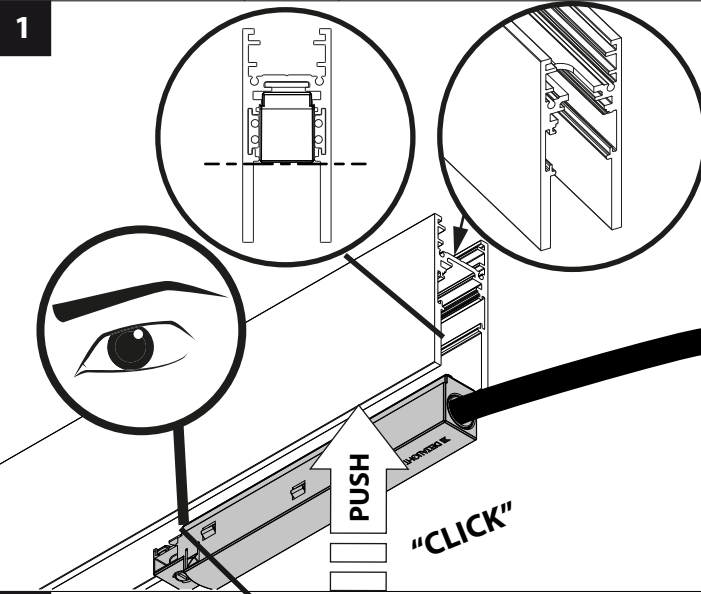
CAUTION

TO REDUCE THE RISK OF OVERHEATING AND FIRE, DO NOT BRIDGE CONDUCTORS

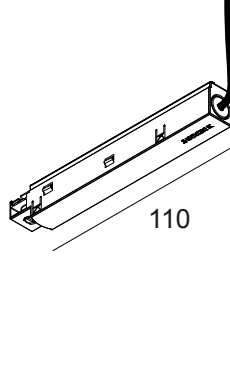


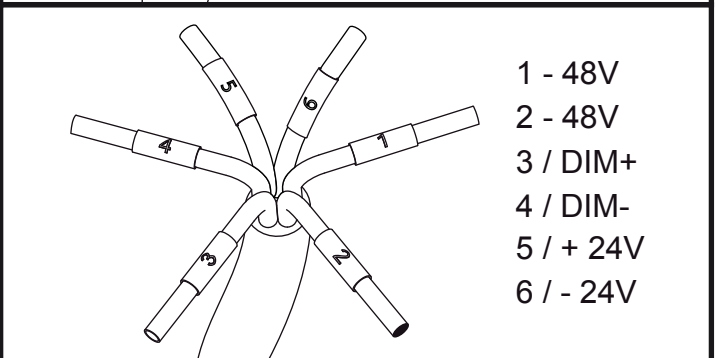
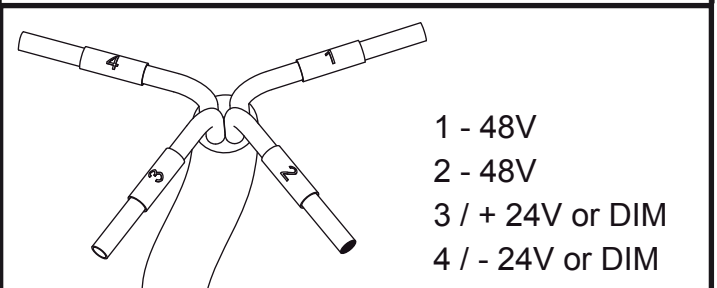
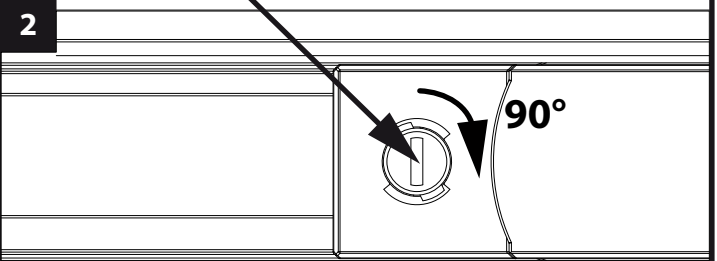
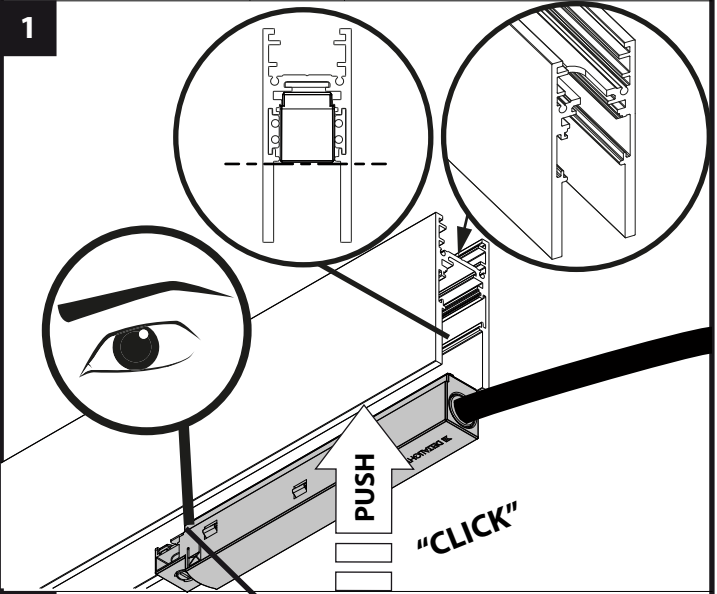
CURRENT SUPPLY SET L 1,6M TRANSPARENT

	NO DIM AND NO UPLIGHT	SLM - CURRENT SUPPLY SET 2 x 0,75mm ² 1,6m MDL 23359 2120
	DIM5	SLM - CURRENT SUPPLY SET 4 x 0,75mm ² 1,6m DIM5 23359 2140
	UPLIGHT	SLM - CURRENT SUPPLY SET 4 x 0,75mm ² 1,6m MDL UP 23359 2340
	DIM5 AND UPLIGHT	SLM - CURRENT SUPPLY SET 6 x 0,75mm ² 1,6m DIM5 UP 23359 2160

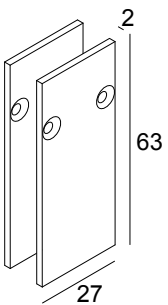




CURRENT SUPPLY SET L 1,6M BLACK

	NO DIM AND NO UPLIGHT	SLM - CURRENT SUPPLY SET 2 x 0,75mm ² 1,6m MDL 23359 2220
	DIM5	SLM - CURRENT SUPPLY SET 4 x 0,75mm ² 1,6m DIM5 23359 2240
	UPLIGHT	SLM - CURRENT SUPPLY SET 4 x 0,75mm ² 1,6m MDL UP 23359 2440
	DIM5 AND UPLIGHT	SLM - CURRENT SUPPLY SET 6 x 0,75mm ² 1,6m DIM5 UP 23359 2260



SLM26H - END CAP SET

	<p>SLM26H - END CAP SET 23359 0300</p> <p>ACCESSORY SET</p> <p>4X  1X  DIN911/2</p>
---	---

