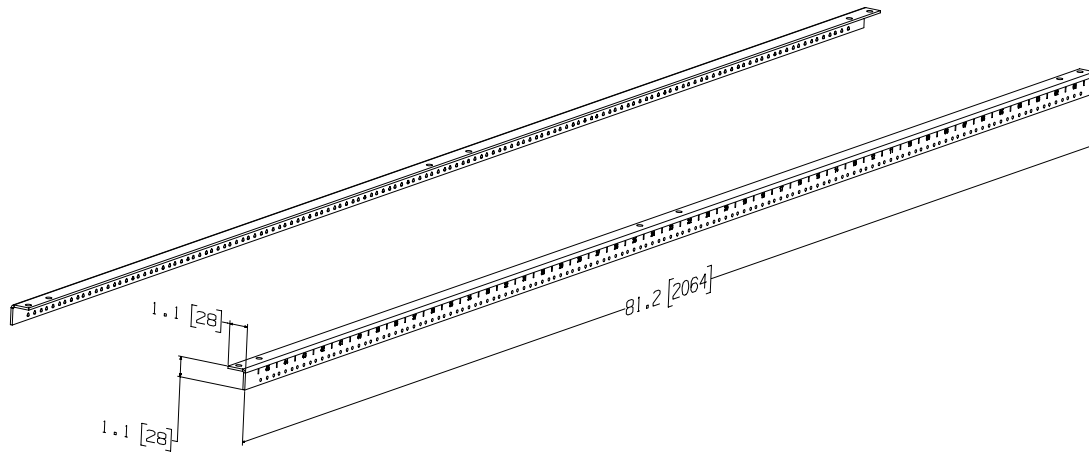


THIS COPY IS PROVIDED ON A RESTRICTED BASIS AND IS NOT TO BE USED IN ANY WAY DETRIMENTAL TO THE INTERESTS OF PANDUIT CORP.



PANDUIT PART NO.	WEIGHT
R4PRT	12.0 LBS/EACH 5.45 KGS/EACH
R4PRTWH	12.0 LBS/EACH 5.45 KGS/EACH

NOTES:

- VISIT OUR ON-LINE CATALOG AT WWW.PANDUIT.COM FOR A LIST OF CURRENT PARTS APPLICABLE FOR USE WITH THIS PRODUCT.
- DIMENSIONS IN PARENTHESIS ARE METRIC.
- 45 AVAILABLE RACK SPACES.
- EIA UNIVERSAL STANDARD HOLE PROGRESSION ON BOTH RAILS
.625", .625", .500", .625", .625", .500" ... ETC.
- RAILS WILL MOUNT ON PANDUIT'S NEWER 7 FOOT 4 POST RACKS.
- 6a. R4PRT INCLUDES:
1- TAPPED LEFT REAR BLACK
1- TAPPED RIGHT REAR BLACK
- 6b. R4PRTWH INCLUDES:
1- TAPPED LEFT REAR WHITE
1- TAPPED RIGHT REAR WHITE
- 6c. ALL PARTS INCLUDE
6- 5/16-18 X 3/4" SERRATED HEX WASHERHEAD BOLTS
6- 5/16-18 DUAL WELD NUTS
6- 5/16 GROUND WASHERS
- RU SPACING NUMBERS ARE CLEARLY PRINTED ON MOUNTING RAILS.
- RAILS CAN MOUNTED NUMBERS UP OR NUMBERS DOWN. SEE INSTRUCTION SHEET FOR INSTALLATION METHOD.

MODEL FILENAME	V10679ZW/00
CAD FILENAME/LAYERS	V10679ZW_DC/00B

PANDUIT CORP. TINLEY PARK, ILLINOIS
7 FOOT TAPPED RAILS KIT
CUSTOMER DRAWING

UNLESS OTHERWISE SPECIFIED, DIMENSIONAL TOLERANCES ARE: [] ANGLE +/- 1°	UNLESS OTHERWISE SPECIFIED, ALL DIMENSIONS ARE GIVEN IN INCHES, THIRD ANGLE PROJECTION.
--	---

REV	DATE	BY	CHK	DESCRIPTION	ECN	R	CUST	SUP	OTH
OOB	10-8-19	BAME	KRKE	ADDED P/N R4PRTWH	V10679ZW-DC		JEFK		
OOA	09-07-09	DSI	DPN	RELEASED TO PRODUCTION	V10679ZW-DC		CMK		

DRAWN BY DSI	MAT'L: STEEL	SCALE 1:8
DATE 08-07-09		DRAWING NO. V10679ZW-DC
CHK'D DPN		DWG A SIZE