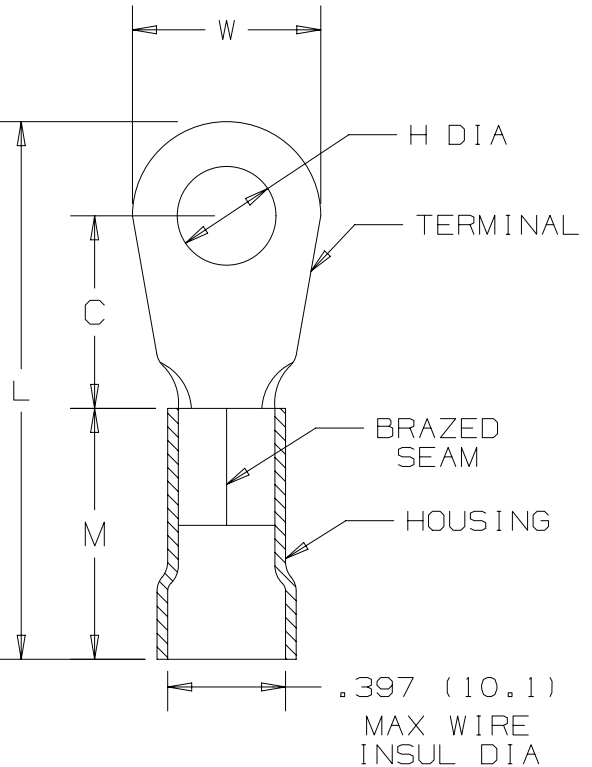


THIS COPY IS PROVIDED ON A RESTRICTED BASIS AND IS NOT TO BE USED IN ANY WAY DETRIMENTAL TO THE INTERESTS OF PANDUIT CORP.

PANDUIT PART NUMBER	STUD SIZE		DIMENSIONS - in. [mm]					TOOLS
	ENGLISH	METRIC	L± .06 [ 1,6 ]	W± .01 [ 0,3 ]	C± .01 [ 0,3 ]	M± .04 [ 0,9 ]	H +.02 (0,4) -0	
EV6-10R	#10	M5	1.65 (41.8)	.47 (12.0)	.52 (13.3)	0.89 (22.5)	.21 (5.3)	KST-HDC38A
EV6-56R	5/16"	M8	1.76 (44.7)	.63 (16.0)	.56 (14.2)	.89 (22.5)	.33 (8.4)	
EV6-38R	3/8"	M10	1.76 (44.7)	.63 (16.0)	.56 (14.2)	.89 (22.5)	.41 (10.5)	
EV6-12R	1/2"	M12	2.10 (53.3)	.87 (22.0)	.78 (19.8)	.89 (22.5)	.51 (13.0)	



NOTES:

- UL LISTED FOR:
  - A. #6 AWG [14mm<sup>2</sup>] STRANDED COPPER WIRE
  - B. 221°F (105°C) MAX TEMP RATING
  - C. 600V MAX VOLTAGE RATING
- MATERIAL:
  - A. STAMPING - .059" (1.5) THICK COPPER, TIN PLATED
  - B. HOUSING - VINYL, BLUE
- WIRE STRIP LENGTH: 9/16" <sup>+1/32</sup><sub>-0</sub> [14mm <sup>+0.8</sup><sub>-0</sub>]
- SEE WWW.PANDUIT.COM FOR PACKAGE QUANTITIES
- DIMENSIONS IN BRACKETS ARE METRIC EQUIVALENT



LISTED  
20U0  
E52164

00	2/18	JHNU	TMR	RGB	DRAWING RELEASED				00123SS

TITLE <b>STRONGHOLD RING TERMINAL VINYL INSULATED, BRAZED SEAM #6 AWG [14mm<sup>2</sup>]</b> CUSTOMER DRAWING				
ITEM REVISION NAME 00123SSA/00		<b>PANDUIT</b>		
DATASET FILE NAME 00123SSA/00				
UNLESS OTHERWISE SPECIFIED, DIMENSIONAL TOLERANCES ARE: IN [mm]				MATERIAL: SEE NOTES
DRAWN BY JHNU		DATE 2/18	CHK TMR	SCALE NONE
DRAWING NUMBER: 00123SSA-DC				SHT 1 OF 1

REV	DATE	BY	CHK	APR	DESCRIPTION	ECN	SCALE	SIZE
								A

D10100DA/16