



Product designation				Power contactor
Product type designation				BF150
Contact characteristics				
Number of poles	Nr.			3
Rated insulation voltage U _i IEC/EN	V			1000
Rated impulse withstand voltage U _{imp}	kV			8
Operational frequency	min	Hz	25	
	max	Hz	400	
IEC Conventional free air thermal current I _{th}	A			165
Operational current I _e	AC-1 (≤40°C)	A	165	
	AC-1 (≤55°C)	A	135	
	AC-1 (≤70°C)	A	118	
	AC-3 (≤440V ≤55°C)	A	150	
	AC-4 (400V)	A	70	
Rated operational power AC-3 (T≤55°C)	230V	kW	45	
	400V	kW	75	
	415V	kW	75	
	440V	kW	75	
	500V	kW	90	
	690V	kW	110	
	1000V	kW	55	
Rated operational current AC-3 (T≤55°C)	230V	A	150	
	400V	A	150	
	415V	A	150	
	440V	A	150	
	500V	A	128	
	690V	A	113	
	1000V	A	51	
IEC max current I _e in DC1 with L/R ≤ 1ms with 1 poles in series	≤24V	A	165	
	48V	A	165	
	75V	A	150	
	110V	A	10	
	220V	A	-	
IEC max current I _e in DC1 with L/R ≤ 1ms with 2 poles in series	≤24V	A	165	
	48V	A	165	
	75V	A	165	
	110V	A	150	
	220V	A	14	
IEC max current I _e in DC1 with L/R ≤ 1ms with 3 poles in series				

	≤24V	A	165
	48V	A	165
	75V	A	165
	110V	A	160
	220V	A	150
<hr/>			
IEC max current Ie in DC1 with L/R ≤ 1ms with 4 poles in series	≤24V	A	165
	48V	A	165
	75V	A	165
	110V	A	165
	220V	A	165
<hr/>			
IEC max current Ie in DC3-DC5 with L/R ≤ 15ms with 1 poles in series	≤24V	A	165
	48V	A	60
	75V	A	44
	110V	A	6
	220V	A	–
<hr/>			
IEC max current Ie in DC3-DC5 with L/R ≤ 15ms with 2 poles in series	≤24V	A	165
	48V	A	82
	75V	A	70
	110V	A	80
	220V	A	7
<hr/>			
IEC max current Ie in DC3-DC5 with L/R ≤ 15ms with 3 poles in series	≤24V	A	165
	48V	A	195
	75V	A	110
	110V	A	120
	220V	A	120
<hr/>			
IEC max current Ie in DC3-DC5 with L/R ≤ 15ms with 4 poles in series	≤24V	A	165
	48V	A	130
	75V	A	130
	110V	A	150
	220V	A	150
<hr/>			
Short-time allowable current for 10s (IEC/EN60947-1)		A	1200
<hr/>			
Protection fuse	gG (IEC)	A	250
	aM (IEC)	A	160
<hr/>			
Making capacity (RMS value)		A	1500
<hr/>			
Breaking capacity at voltage	440V	A	1200
	500V	A	1025
	690V	A	905
<hr/>			
Resistance per pole (average value)		mΩ	0.45
<hr/>			
Power dissipation per pole (average value)	Ith	W	12
	AC-3	W	10.1
<hr/>			
Tightening torque for terminals	min	Nm	6
	max	Nm	7
	min	Ibin	4.4
	max	Ibin	5.2

Tightening torque for coil terminal

min	Nm	0.8
max	Nm	1
min	lbin	0.59
max	lbin	0.74

Conductor section

AWG/Kcmil

max		2/0
-----	--	-----

Flexible w/o lug conductor section

min	mm ²	1.5
max	mm ²	70

Flexible c/w lug conductor section

min	mm ²	1.5
max	mm ²	70

Power terminal protection according to IEC/EN 60529

IP20 front

Mechanical features

Operating position

normal allowable	Vertical plan ±30°
---------------------	-----------------------

Fixing

Screw / DIN rail
35mm

Weight

g 2020

Conductor section

AWG/kcmil conductor section

max	2/0
-----	-----

Operations

Mechanical life

cycles 15000000

Electrical life

cycles 800000

Safety related data

EMC compatibility

yes

AC coil operating

Rated AC voltage at 50/60Hz

V 48

AC operating voltage

of 50/60Hz coil powered at 50Hz
pick-up

min	%Us	80
max	%Us	110

drop-out

min	%Us	20
max	%Us	55

of 50/60Hz coil powered at 60Hz
pick-up

min	%Us	85
max	%Us	110

drop-out

min	%Us	40
max	%Us	55

AC average coil consumption at 20°C

of 50/60Hz coil powered at 50Hz

in-rush	VA	300
holding	VA	20

of 50/60Hz coil powered at 60Hz

in-rush	VA	275
holding	VA	17

of 60Hz coil powered at 60Hz

	in-rush	VA	300
	holding	VA	20
Dissipation at holding ≤20°C 50Hz		W	6.5

Max cycles frequency

Mechanical operation		cycles/h	1500
----------------------	--	----------	------

Operating times

Average time for Us control
in AC

Closing NO

min	ms	45
max	ms	32

Opening NO

min	ms	9
max	ms	24

UL technical data

Yielded mechanical performance
for three-phase AC motor

200/208V	HP	50
220/230V	HP	50
460/480V	HP	100
575/600V	HP	125

General USE

Contactor

AC current	A	165
------------	---	-----

Short-circuit protection fuse, 600V
High fault

Short circuit current	kA	100
Fuse rating	A	200
Fuse class		J

Standard fault

Short circuit current	kA	10
Fuse rating	A	250
Fuse class		RK5

Ambient conditions

Temperature

Operating temperature

min	°C	-50
max	°C	70

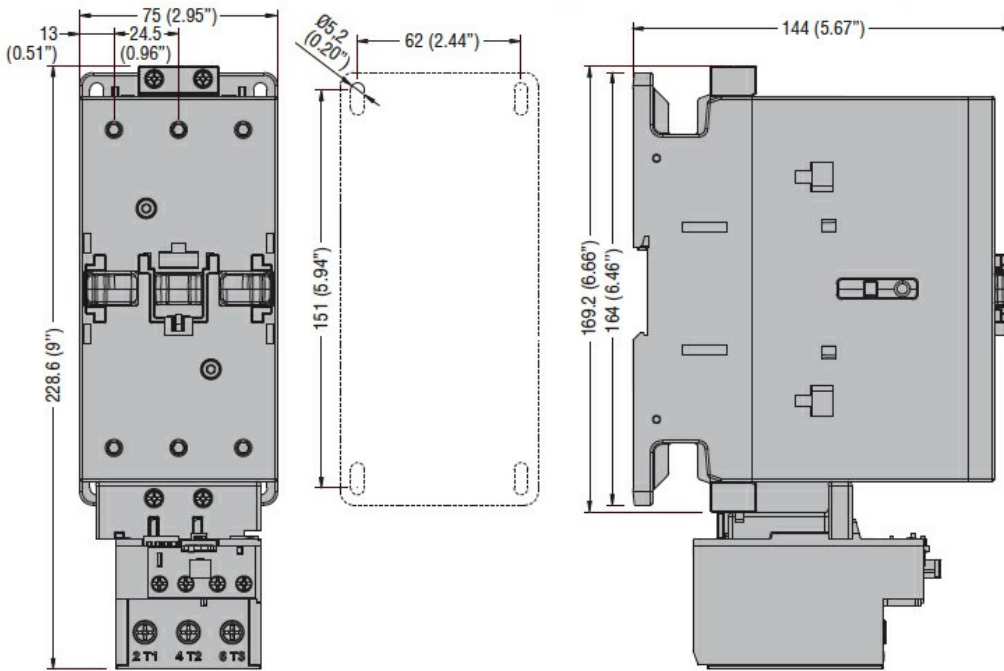
Storage temperature

min	°C	-60
max	°C	80

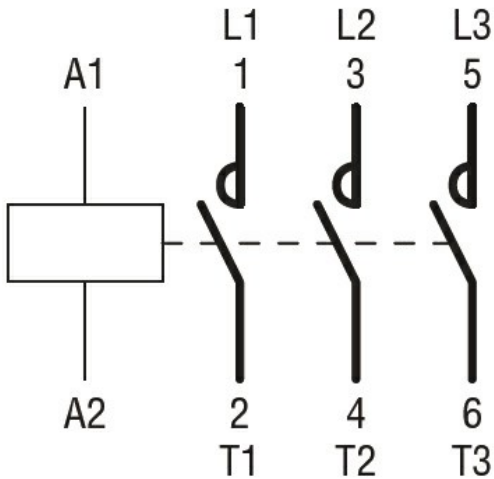
Max altitude

m	3000
---	------

Dimensions



Wiring diagrams



Certifications and compliance

Compliance

CSA C22.2 n° 60947-1

CSA C22.2 n° 60947-4-1

IEC/EN/BS 60947-1

IEC/EN/BS 60947-4-1

UL 60947-1

UL 60947-4-1

Certificates

CCC

cULus

ETIM classification

ETIM 8.0

EC000066 -
Power contactor,
AC switching