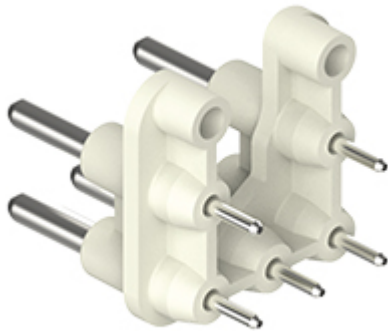


Part number

# CIF Q05 2.4



Interface for printed circuit, 5 poles, 10 A 250 V 4 kV 3, for up to 2,4 mm thick PCB

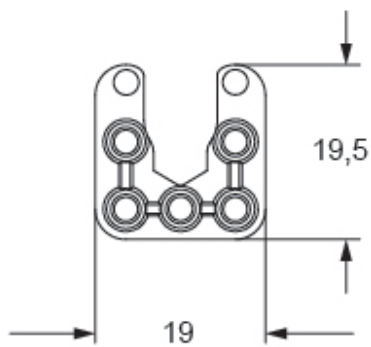
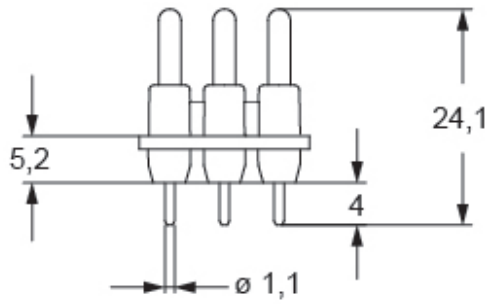
Product description		Material properties	
<b>Product type</b>	Interface for printed circuit	<b>Main material</b>	Polycarbonate (PC)
<b>N. of poles</b>	5 poles	<b>Other materials</b>	Contacts: copper alloy
<b>Specification</b>	For CQ 05 inserts For up to 2,4 mm thick PCB	<b>Colour</b>	RAL 7032 grey
Technical data		<b>RoHs conformity</b>	Compliant with exemption 6(c): copper alloy containing up to 4% lead by weight
<b>Current</b>	10 A	<b>China RoHs - EFUP</b>	50
<b>Voltage</b>	250 V	<b>REACH SVHC substances</b>	Yes Lead
<b>Rated impulse withstand voltage</b>	4 kV	<b>SCIP number</b>	022a8a72-7a4c-443a-a1ad-2461ccc7884c
<b>Pollution degree</b>	3	Approvals / Standards	
<b>Contact type</b>	Turned silver plated	<b>Certifications</b>	DNV
Further technical details		<b>UL</b>	ECBT2
<b>Characteristics according to EN 61984</b>	10 A 250 V 4 kV 3	<b>cUL</b>	ECBT8
<b>Weight</b>	5,00 g	General ordering information	
<b>Operating temperature range (min, max)</b>	-40°C...+125°C	<b>EAN13 code</b>	8015747270359
		<b>eCl@ss 8.1</b>	27449290
		<b>ETIM 7.0</b>	EC002943
		Packaging Information	
		<b>Packaging length</b>	112,00 mm
		<b>Packaging height</b>	95,00 mm
		<b>Packaging width</b>	117,00 mm
		<b>Packaging weight</b>	0,51 kg
		<b>Packaging volume</b>	1,24 dm <sup>3</sup>
		<b>Packaging description</b>	Carton box
		<b>Packaging quantity</b>	64 Pcs
		<b>Packaging EAN code</b>	8015747271431
		<b>Sub-packaging length</b>	50,00 mm
		<b>Sub-packaging height</b>	44,00 mm
		<b>Sub-packaging width</b>	50,00 mm
		<b>Sub-packaging weight</b>	0,06 kg
		<b>Sub-packaging volume</b>	0,11 dm <sup>3</sup>
		<b>Sub-packaging description</b>	Carton tray
		<b>Sub-packaging quantity</b>	8 Pcs
		<b>Sub-packaging EAN barcode</b>	8015747271448

Part number

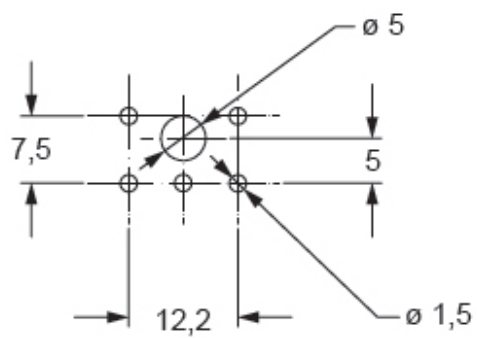
# CIF Q05 2.4



## Catalogue drawings



## PCB-Layout



Notes

**California Proposition 65 Information**



**WARNING**

This product can expose you to lead and its compounds, known to the State of California to cause cancer and/or reproductive toxicity. For more information go to [www.P65Warnings.ca.gov](http://www.P65Warnings.ca.gov).

---

Dimensions shown in mm are not binding and may be changed without notice.

---

**California Proposition 65 Information**



**WARNING**

This product can expose you to lead and its compounds, known to the State of California to cause cancer and/or reproductive toxicity. For more information go to [www.P65Warnings.ca.gov](http://www.P65Warnings.ca.gov).

---