

Part number

MZOS 25 L25



Hood, EMC series, with 2 pegs, M25 side cable entry, size "66.16"

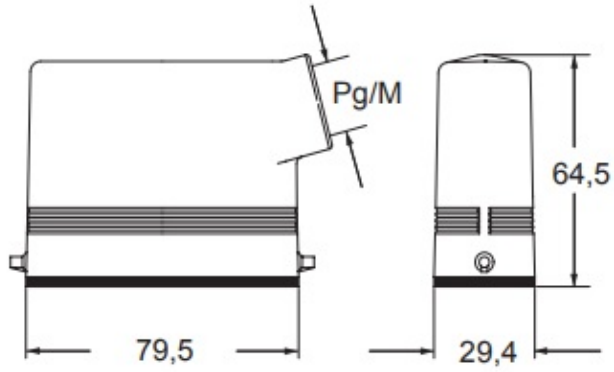
Product description		Material properties	
Product type	Hood	RoHs conformity	Compliant
Series	EMC	China RoHs - EFUP	E
Closing type	With 2 pegs	REACH SVHC substances	No
Size	Size 66.16	Approvals / Standards	
Cable entry	Side cable entry M25	Certifications	DNV, BV
Technical data		UL	ECBT2
IP degree of protection	IP65 / IP66 / IP69	cUL	ECBT8
Further technical details		General ordering information	
Weight	110,00 g	EAN13 code	8015747154192
Operating temperature range (min, max)	-40°C...+125°C	eCl@ss 8.1	27440202
		ETIM 7.0	EC000437
		Packaging Information	
		Sub-packaging weight	1,10 kg
		Sub-packaging description	Carton box
		Sub-packaging quantity	10 Pcs
		Sub-packaging EAN barcode	8015747056847

Part number

MZOS 25 L25



Catalogue drawings



Notes

Dimensions shown in mm are not binding and may be changed without notice.
