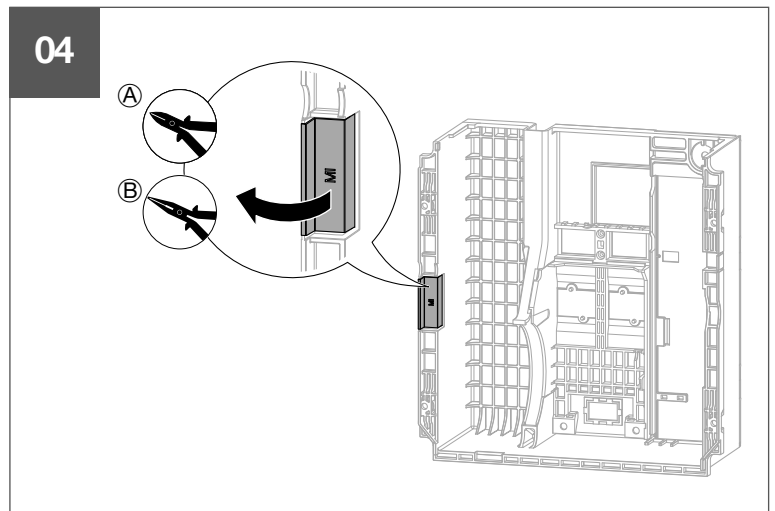
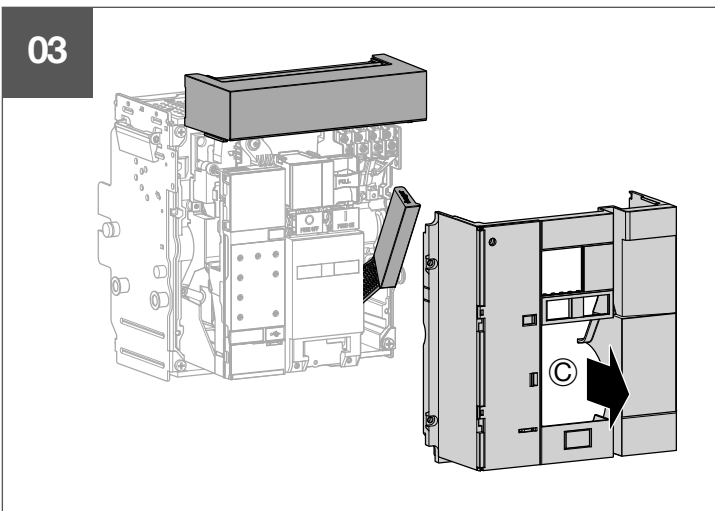
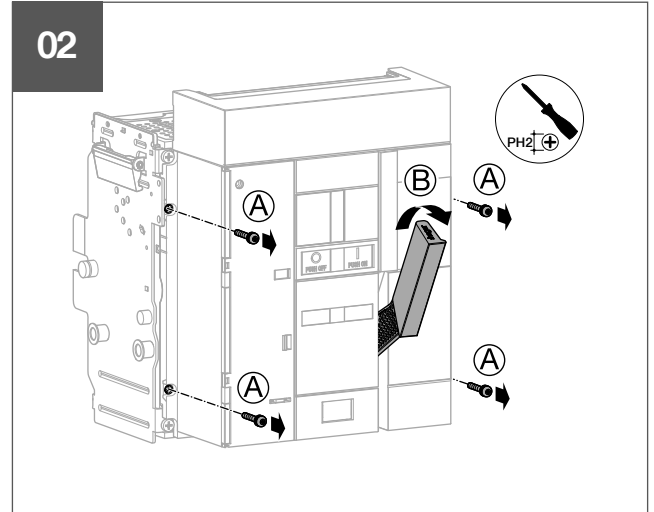
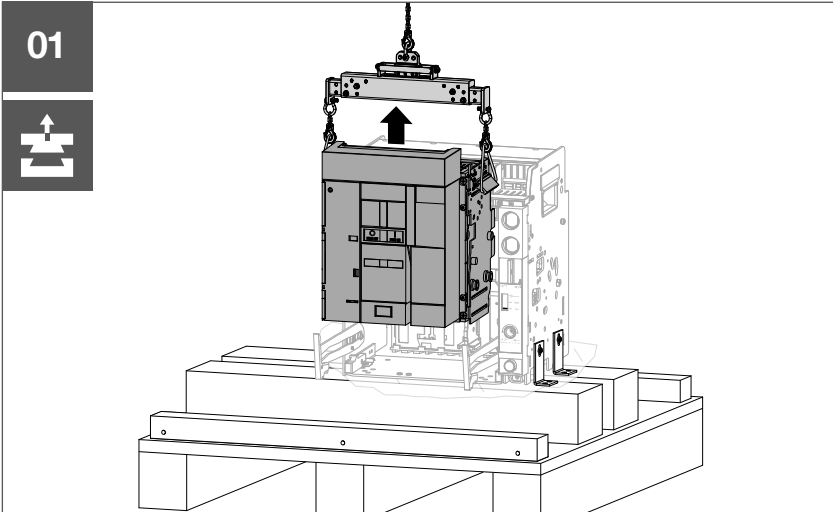
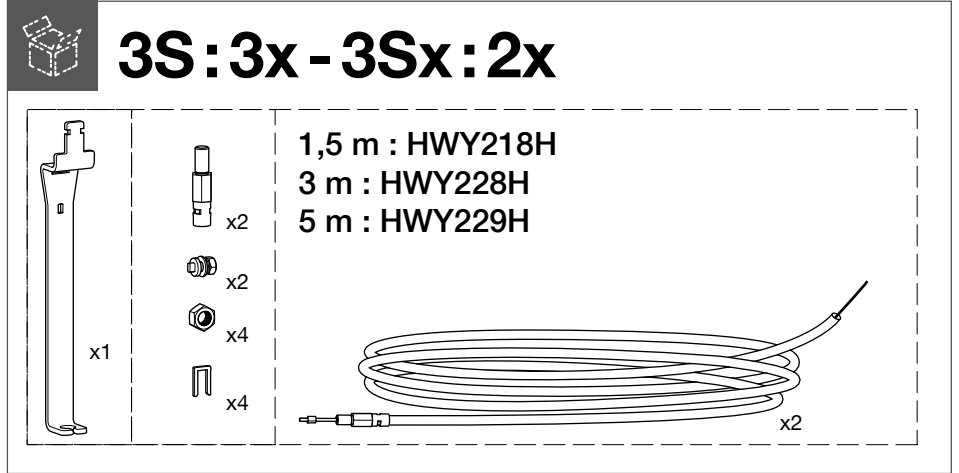
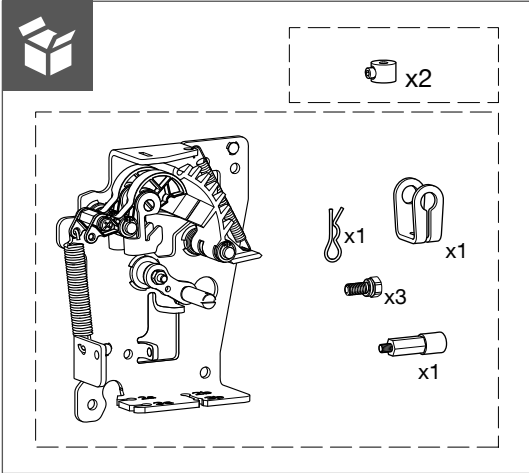
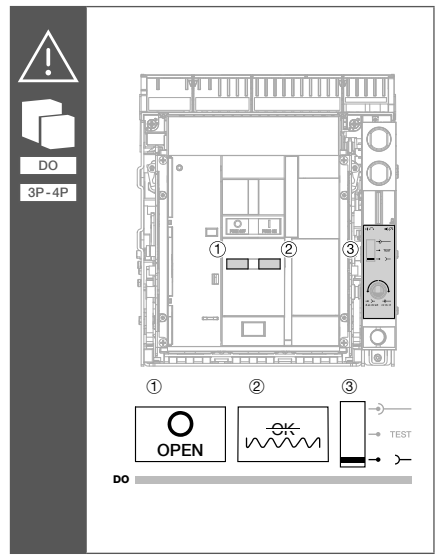
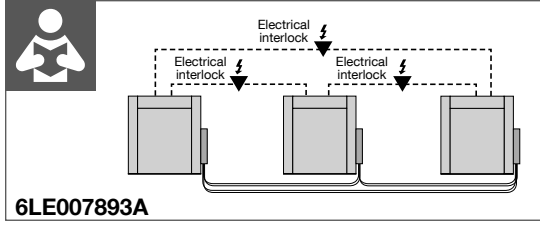
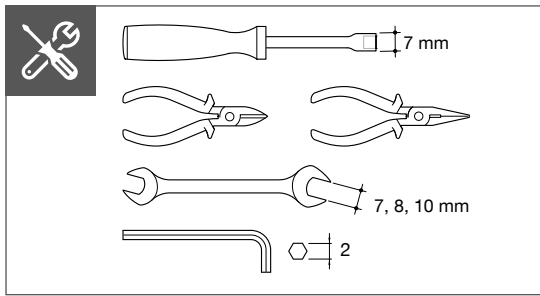
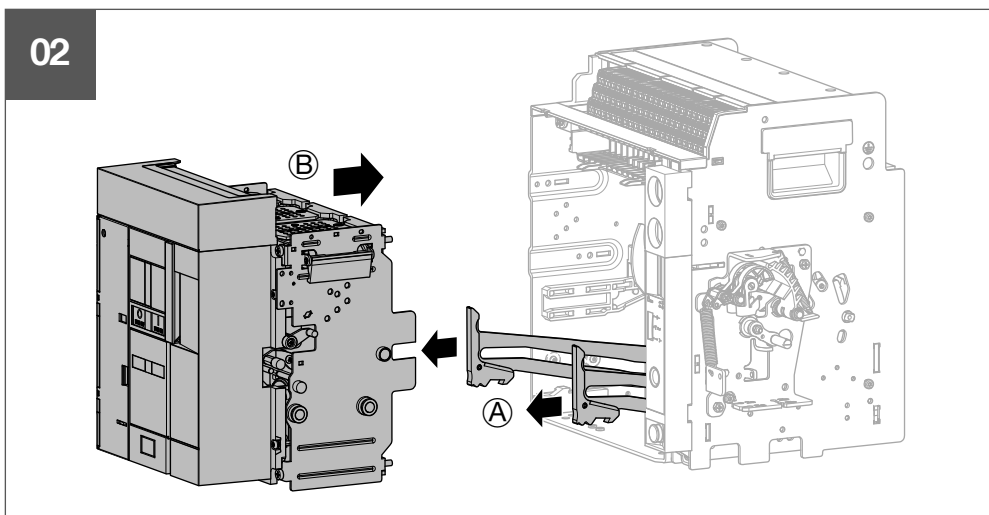
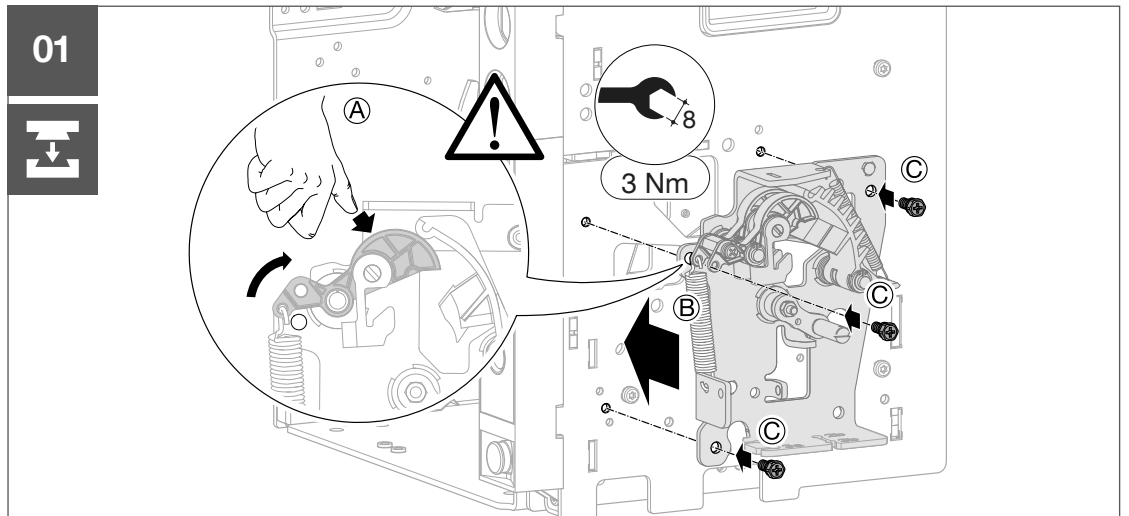
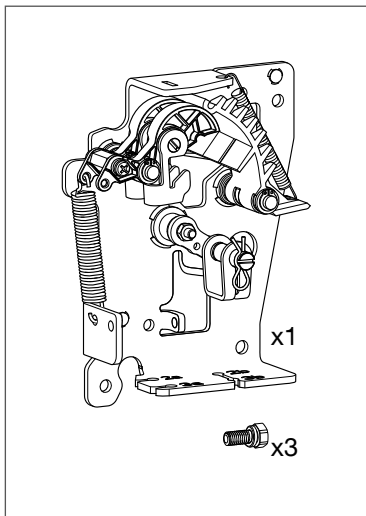
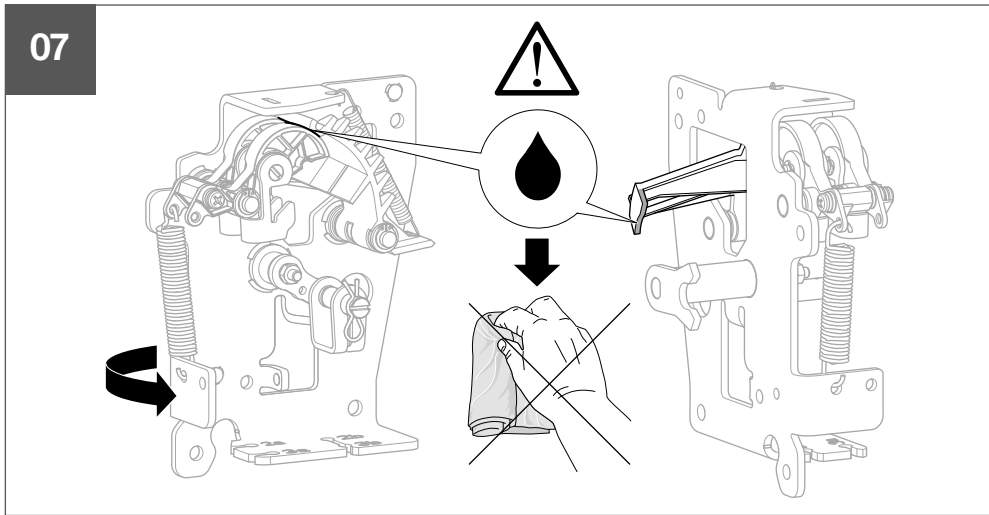
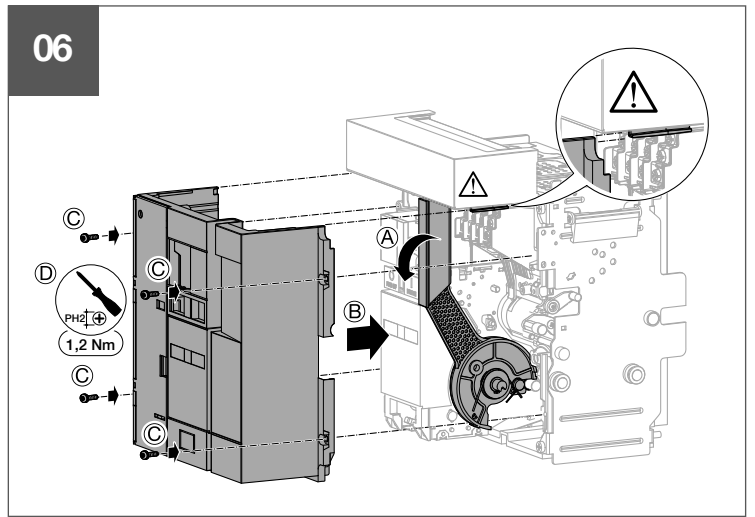
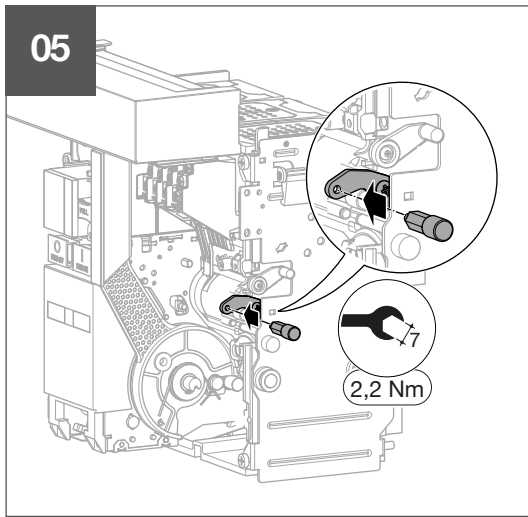
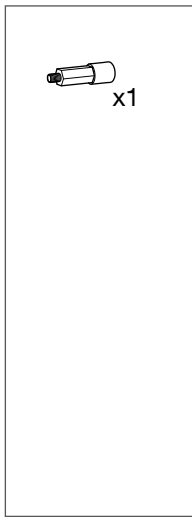
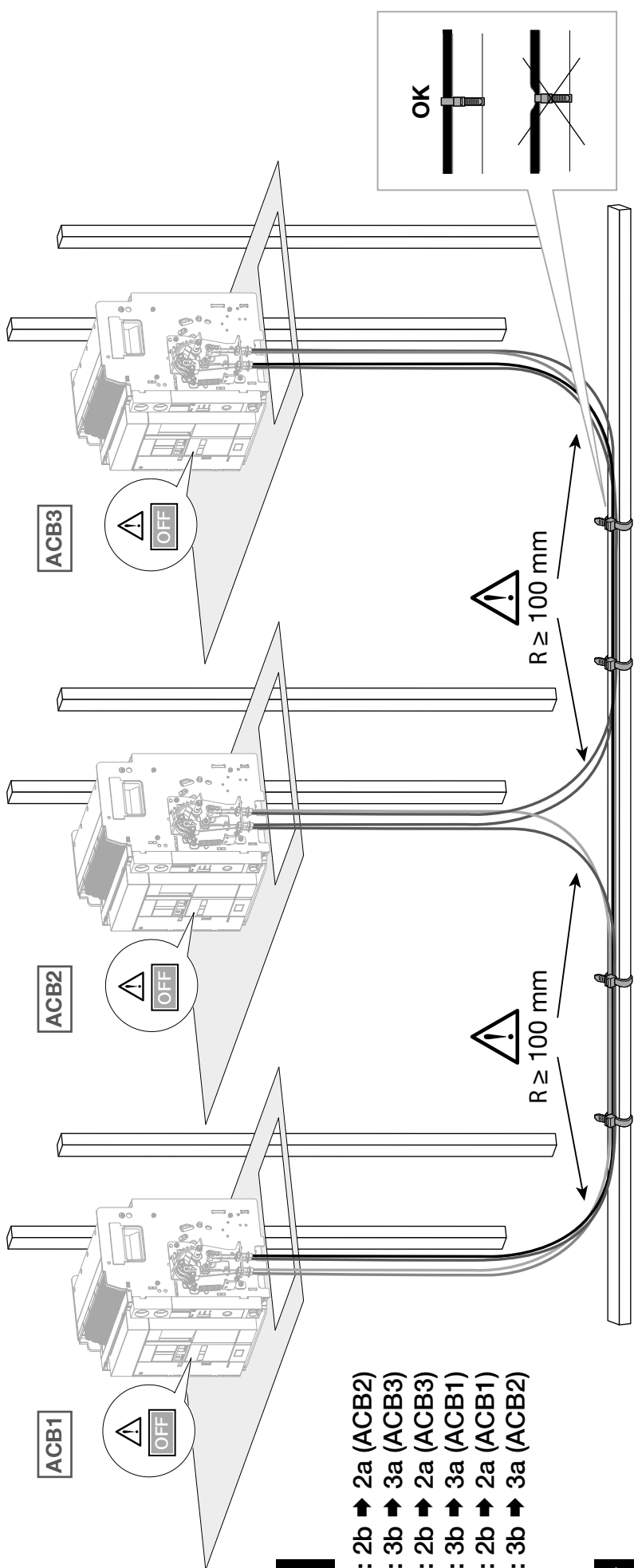


HWY235H







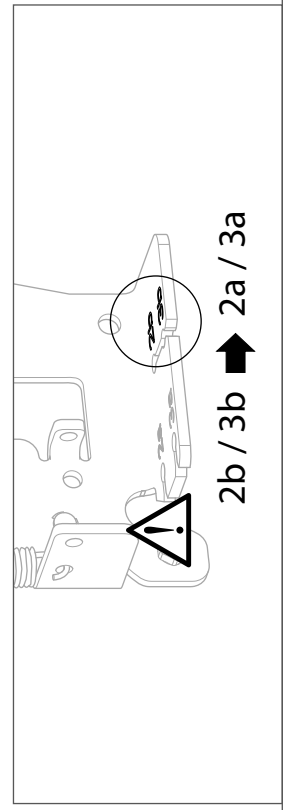
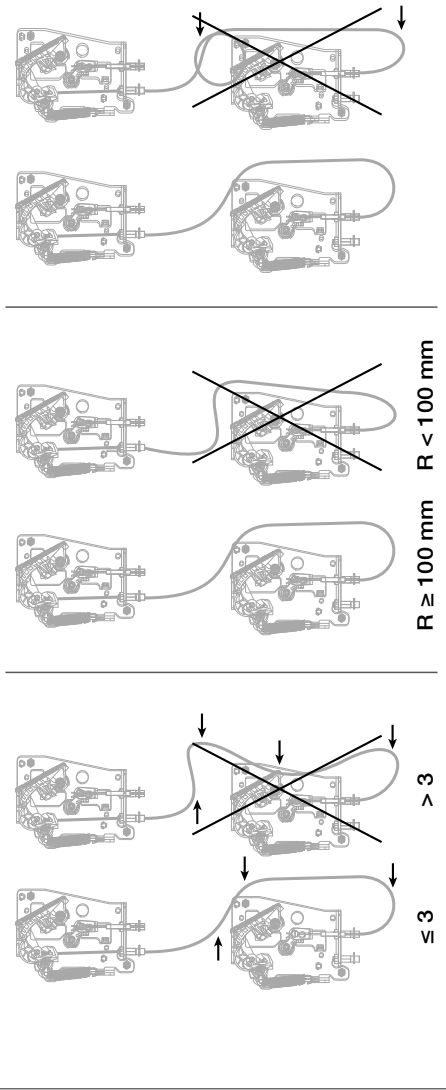
3S

- ACB1 : 2b ➔ 2a (ACB2)
- ACB1 : 3b ➔ 3a (ACB3)
- ACB2 : 2b ➔ 2a (ACB3)
- ACB2 : 3b ➔ 3a (ACB1)
- ACB3 : 2b ➔ 2a (ACB1)
- ACB3 : 3b ➔ 3a (ACB2)

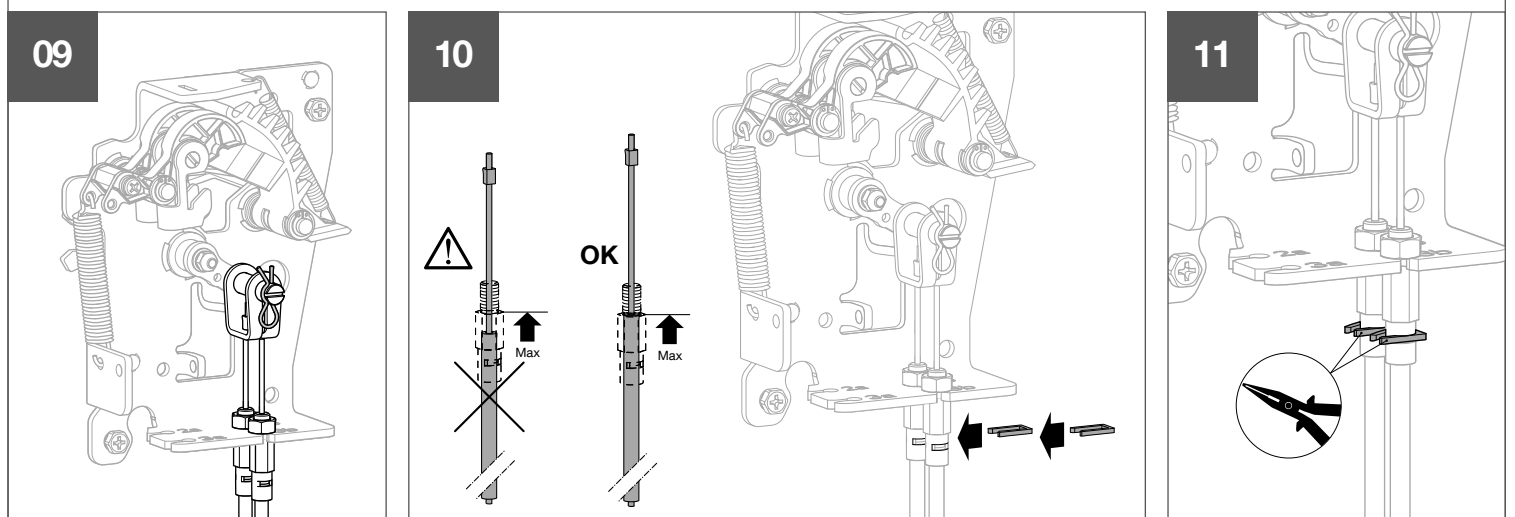
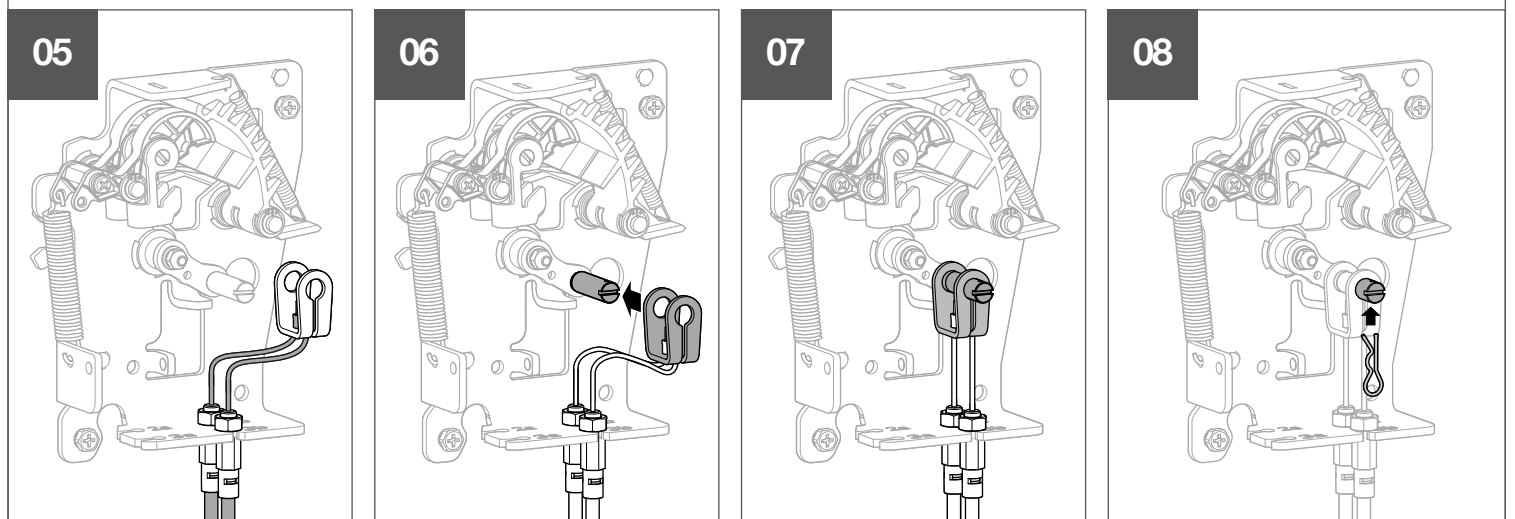
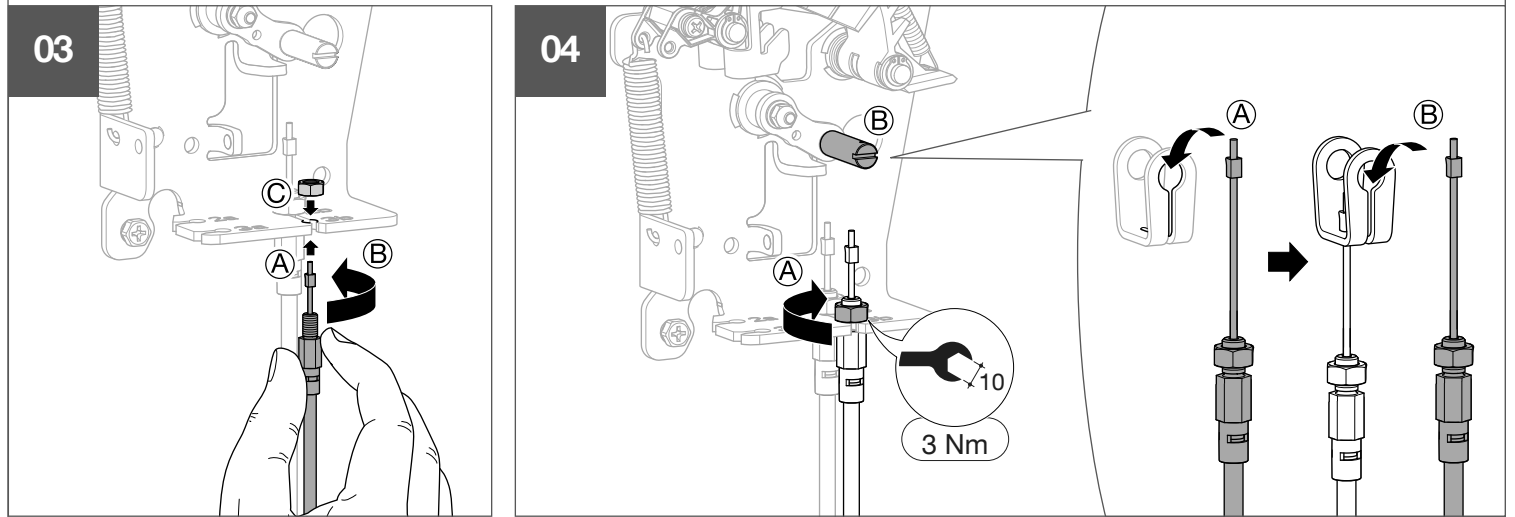
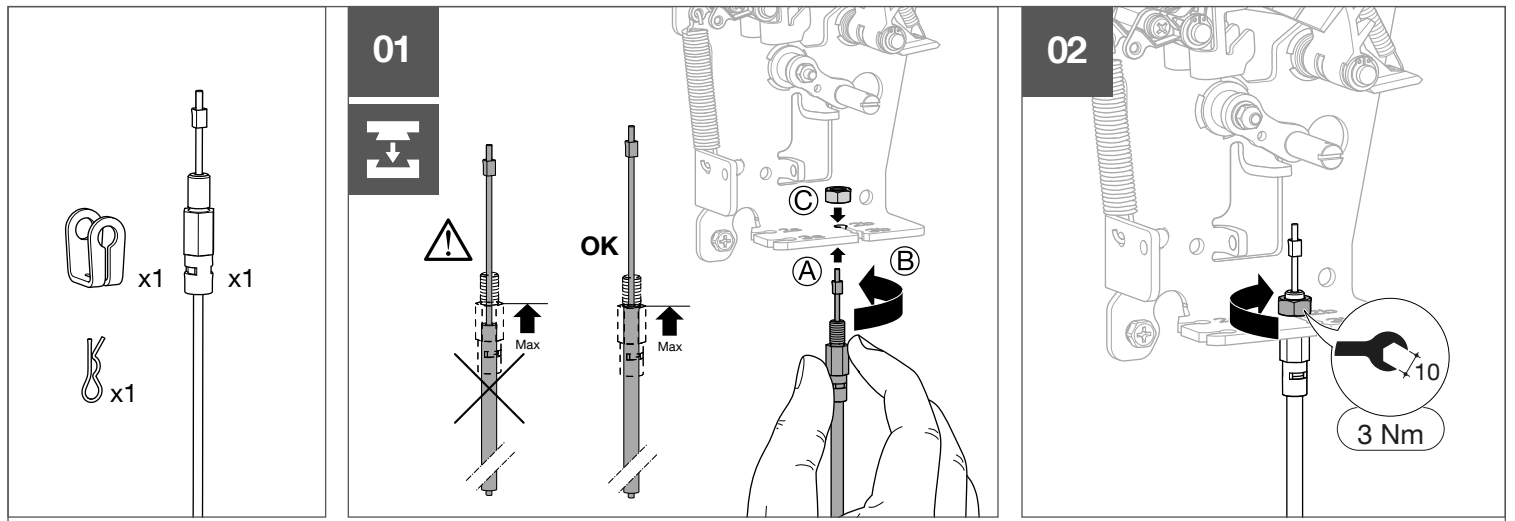
3Sx

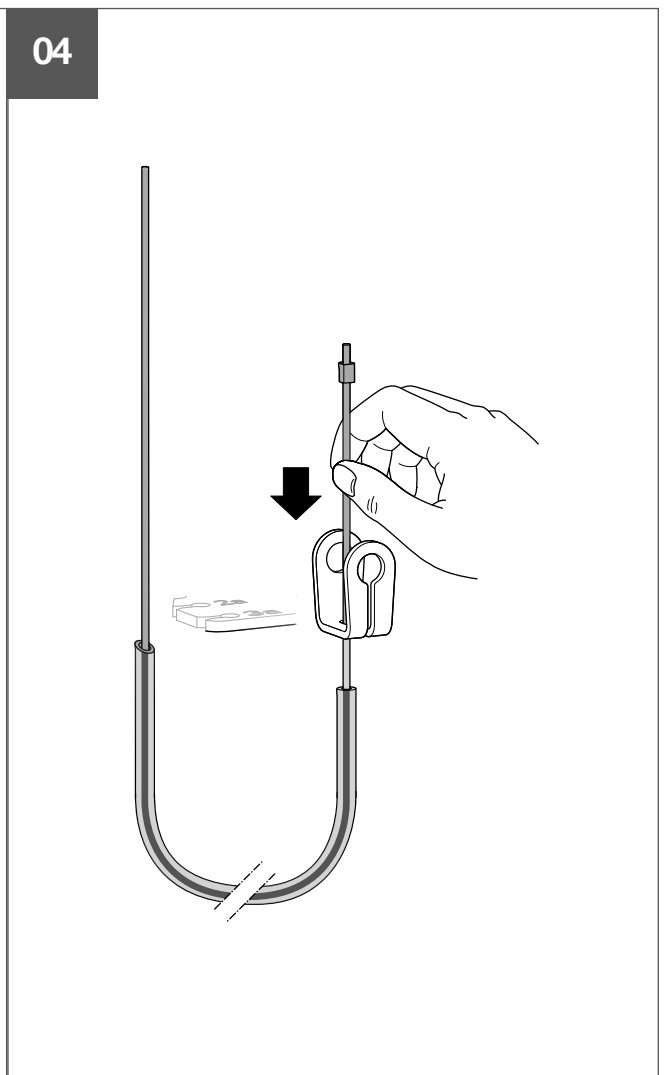
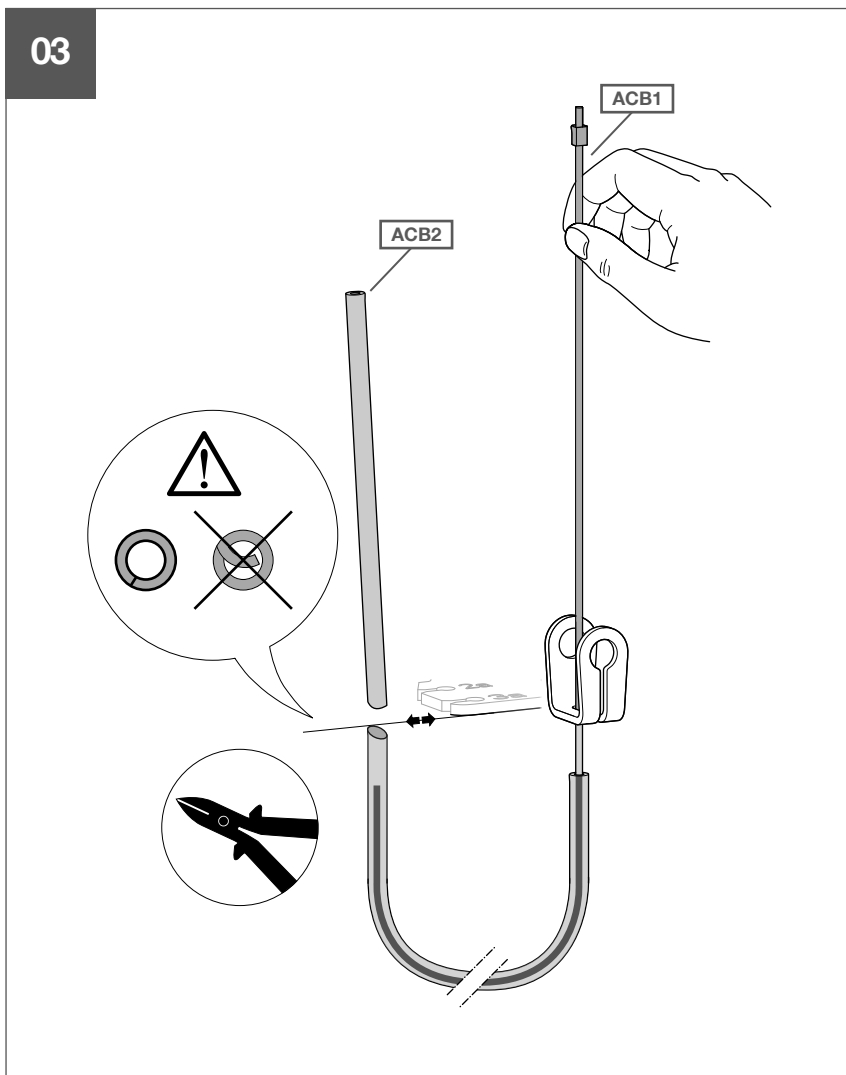
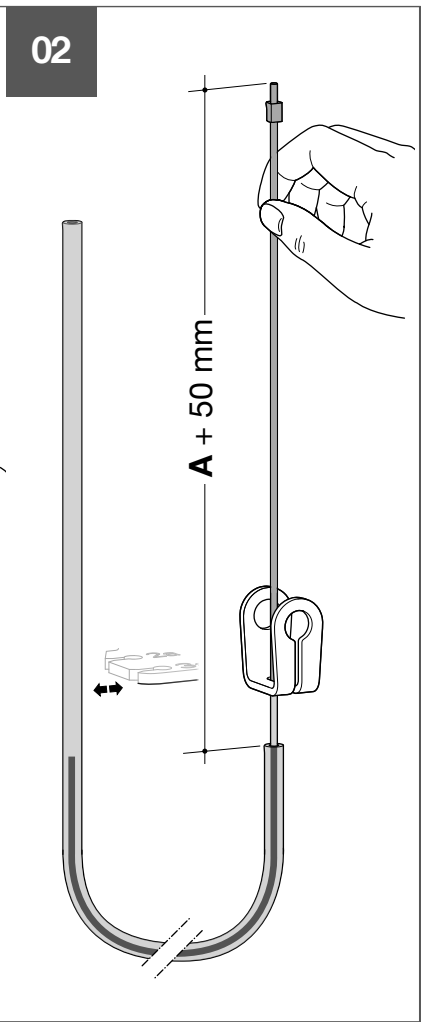
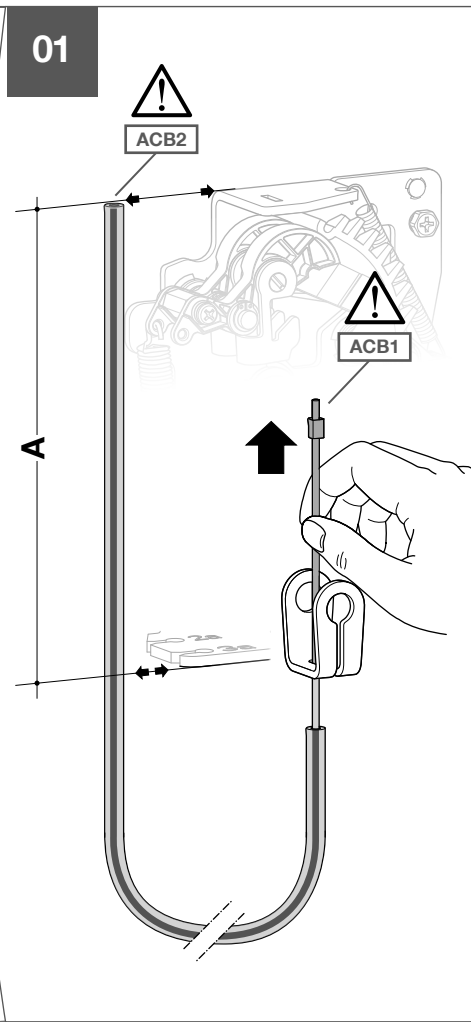
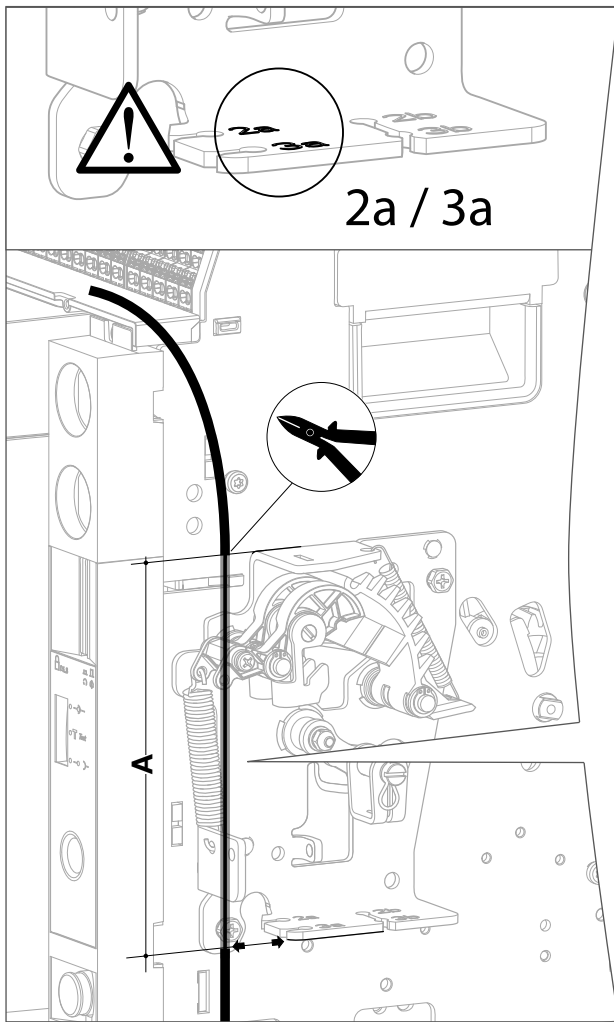
- ACB1 : 2b ➔ 2a (ACB2)
- ~~ACB1 : 3b ➔ 3a (ACB3)~~
- ACB2 : 2b ➔ 2a (ACB3)
- ACB2 : 3b ➔ 3a (ACB1)
- ~~ACB3 : 2b ➔ 2a (ACB1)~~
- ACB3 : 3b ➔ 3a (ACB2)

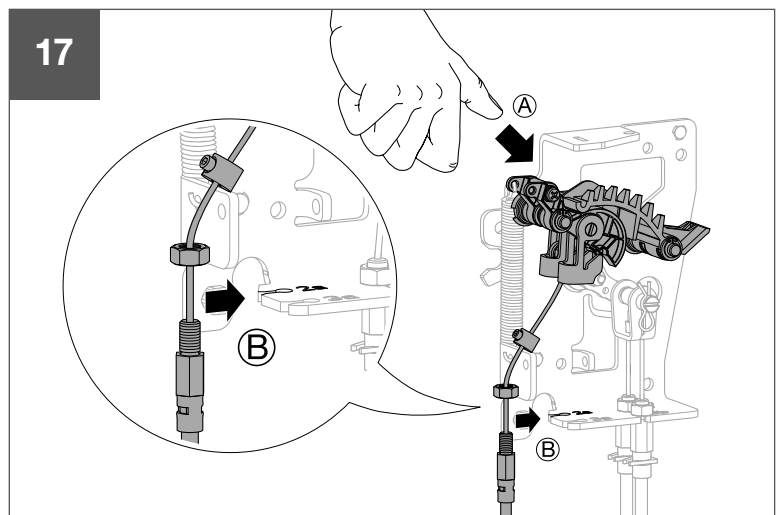
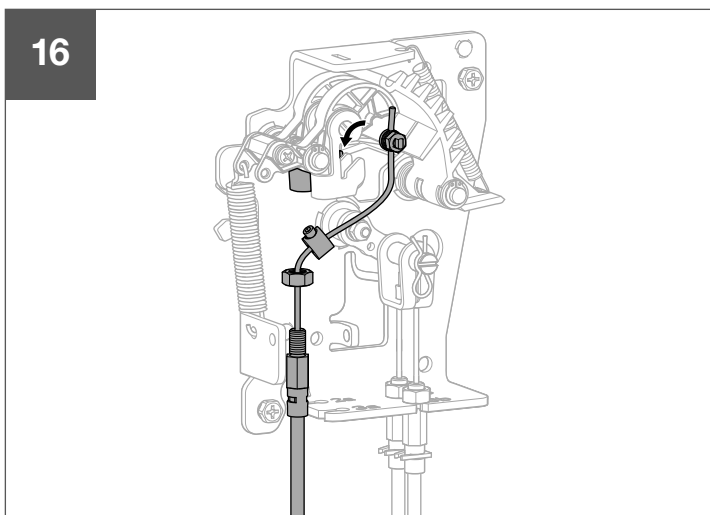
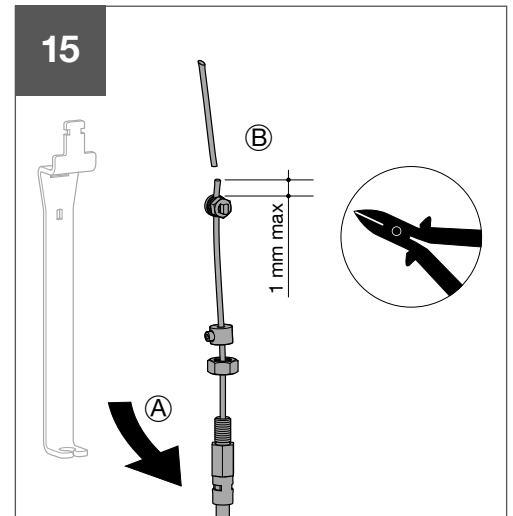
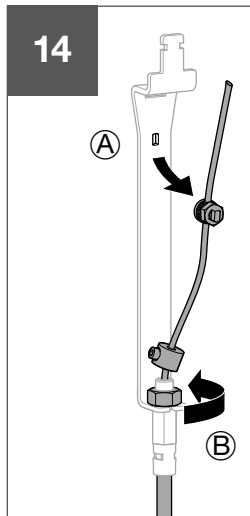
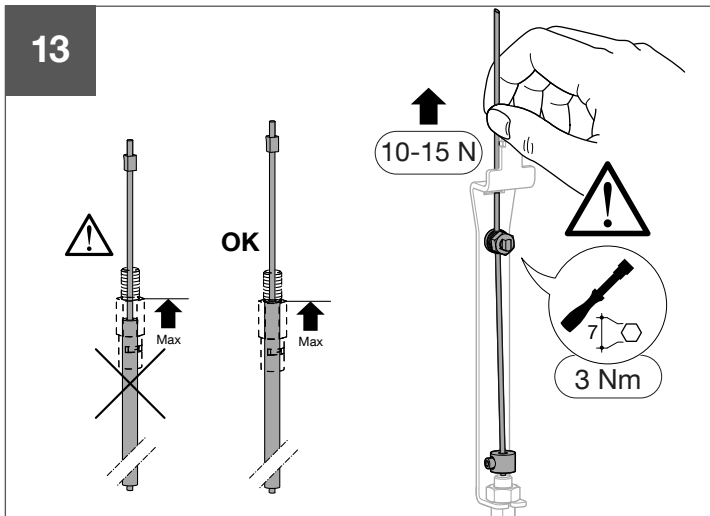
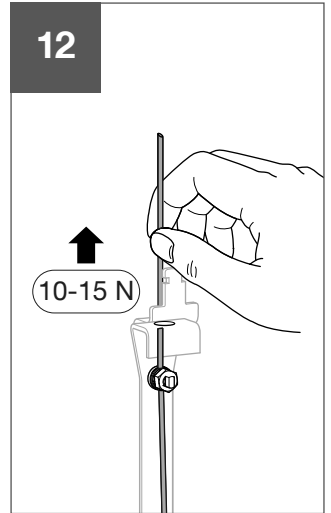
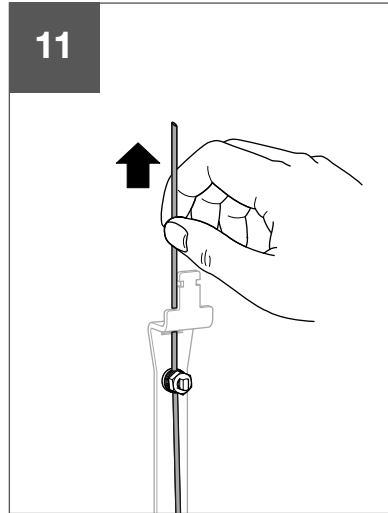
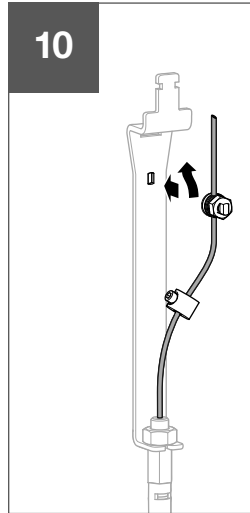
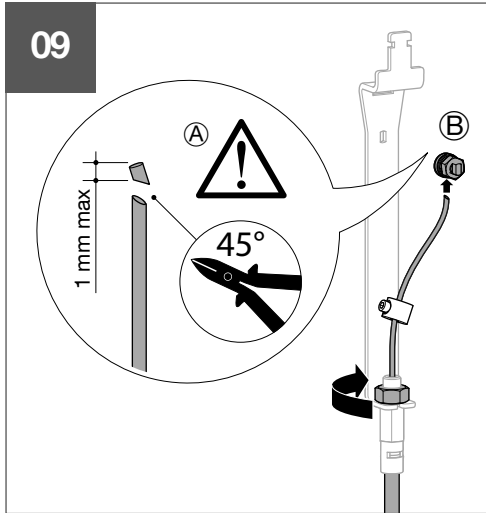
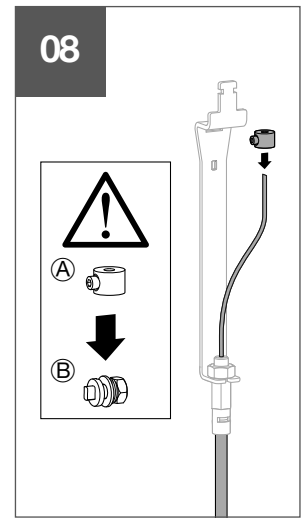
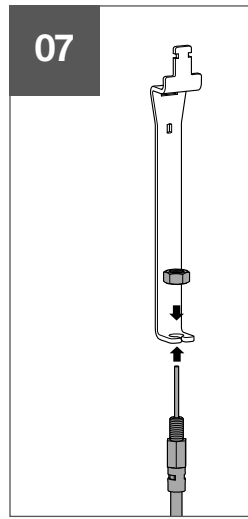
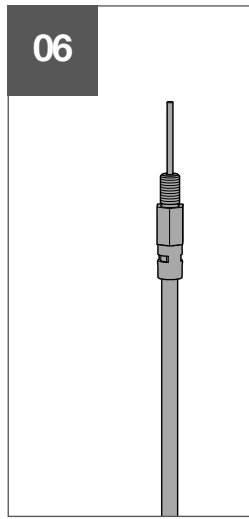
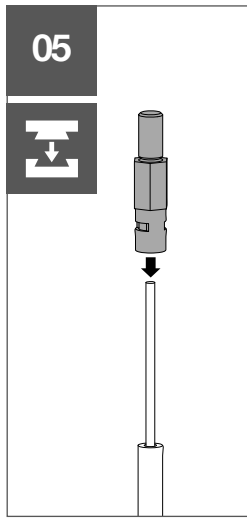
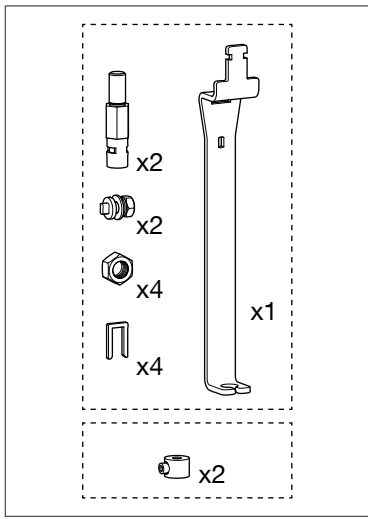
Warning !
After adjustment, if the cable management is changed, the setting must be redone.

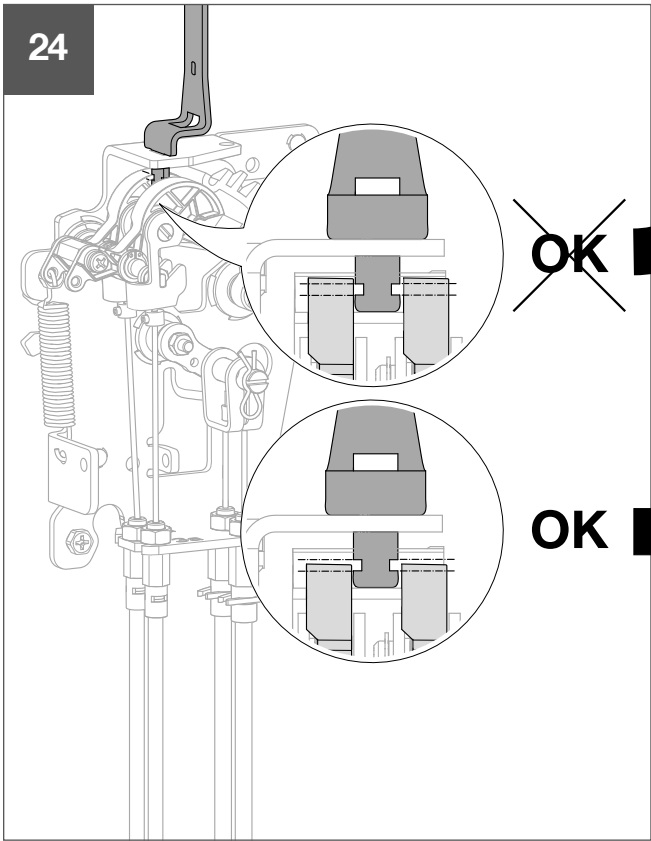
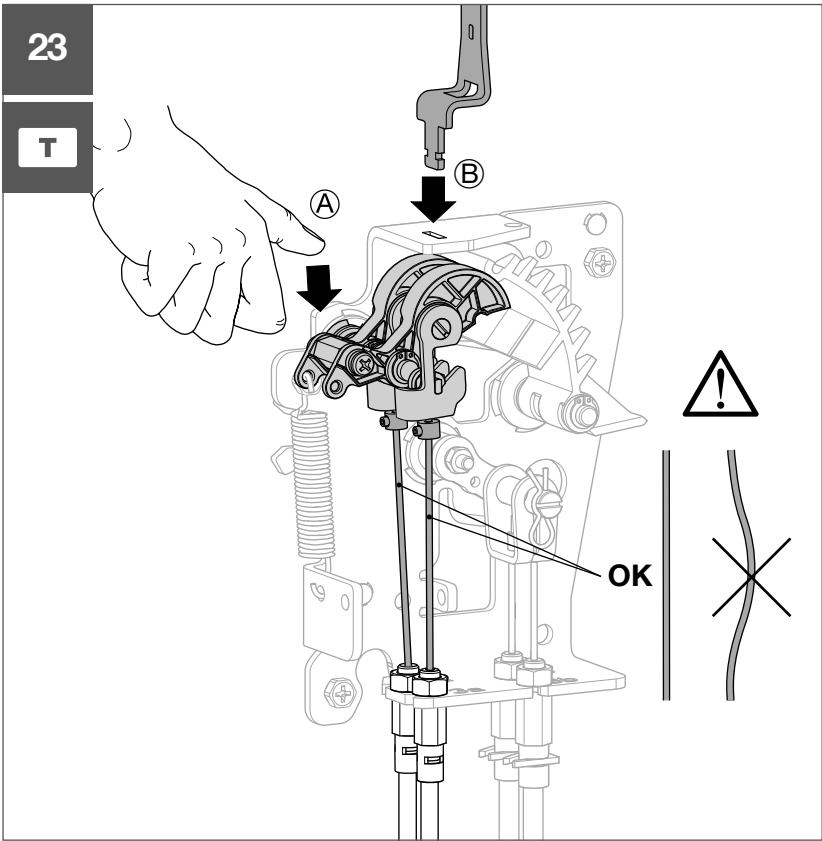
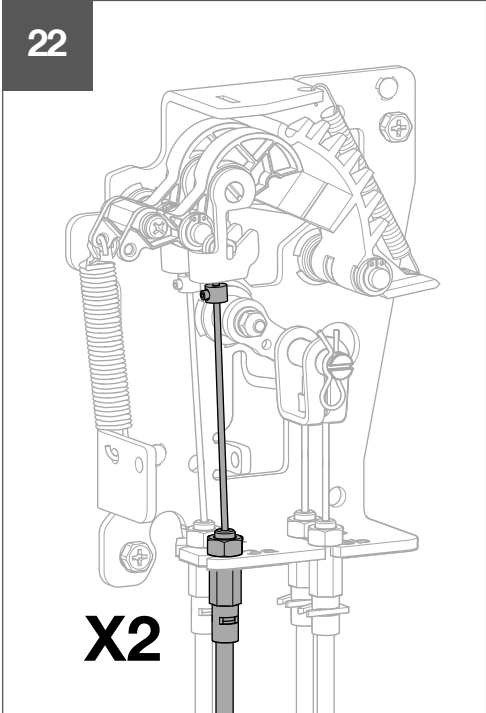
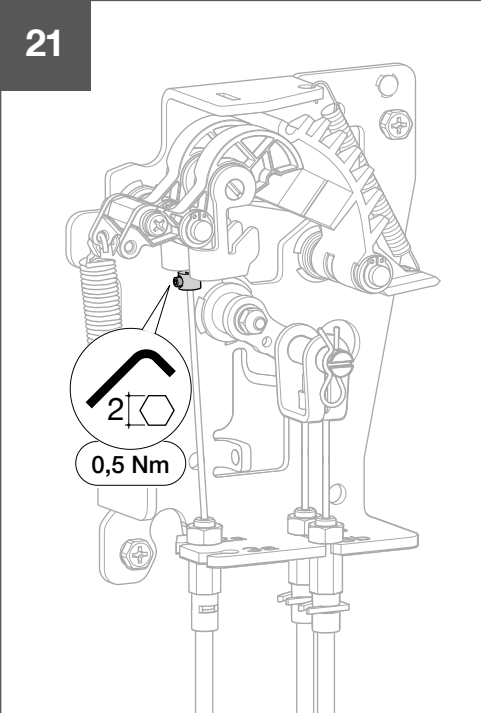
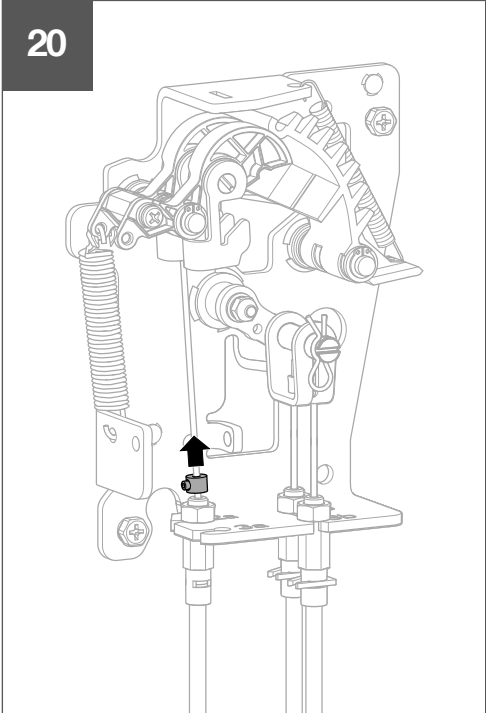
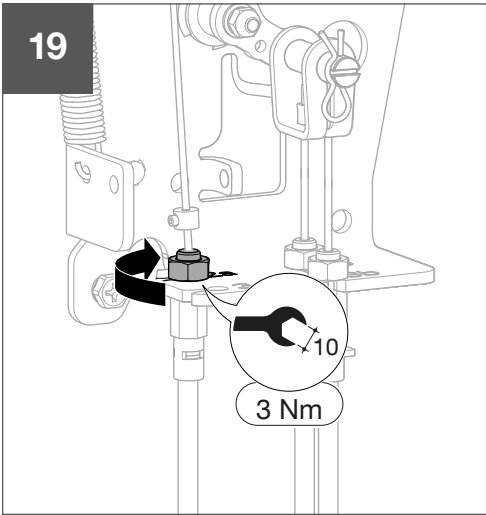
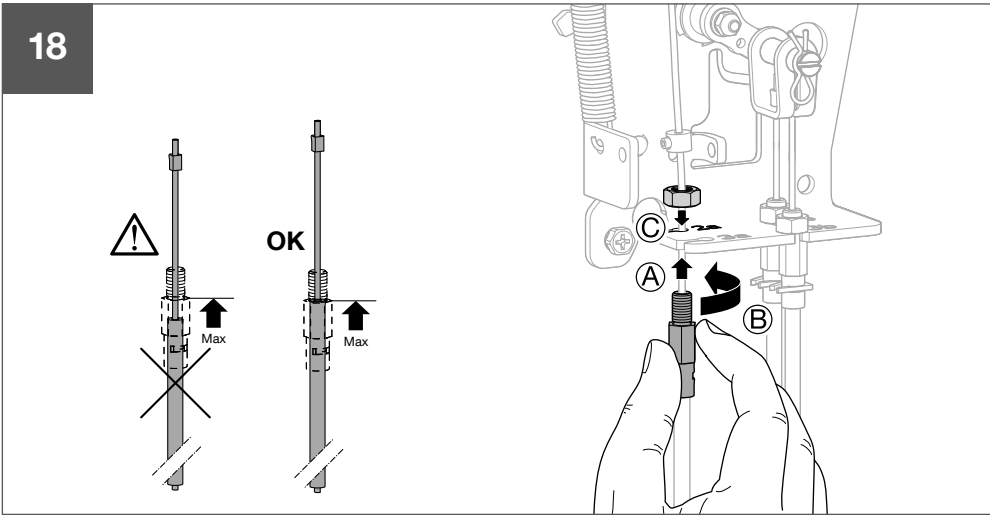


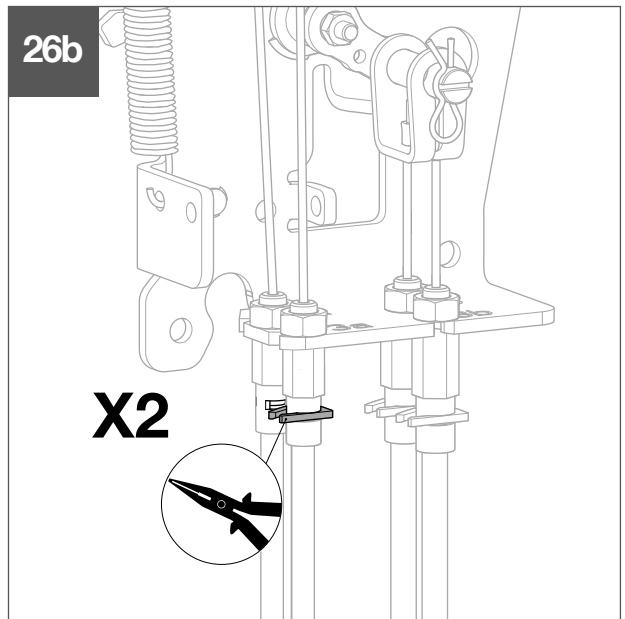
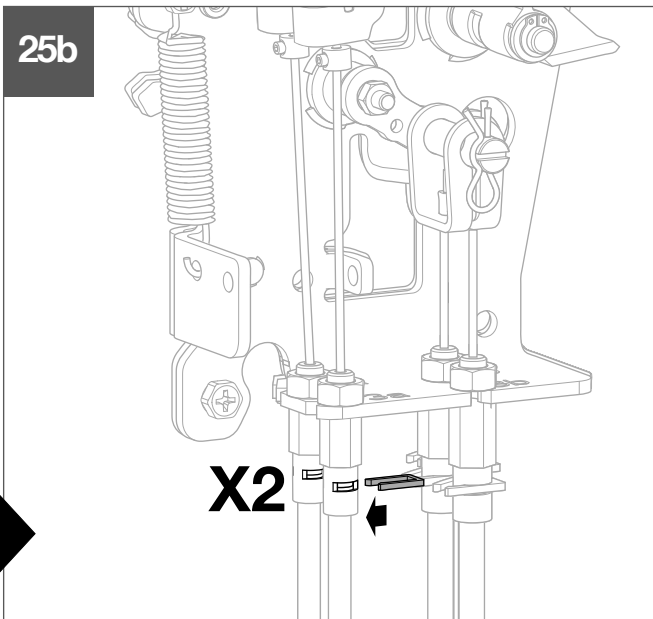
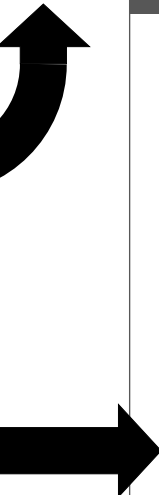
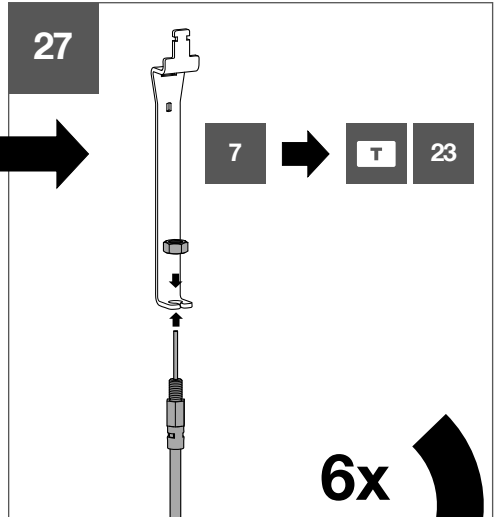
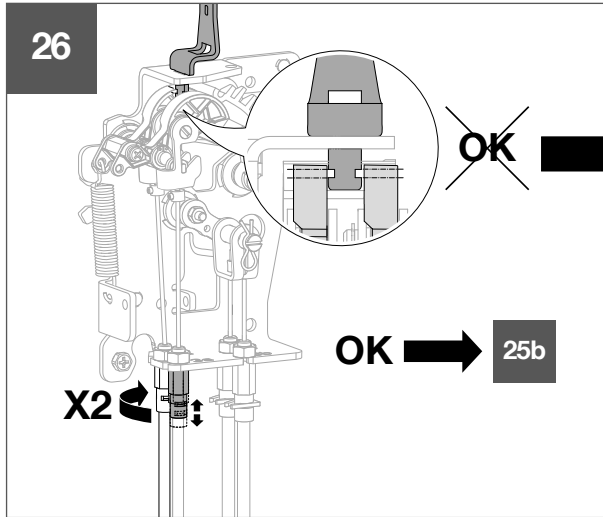
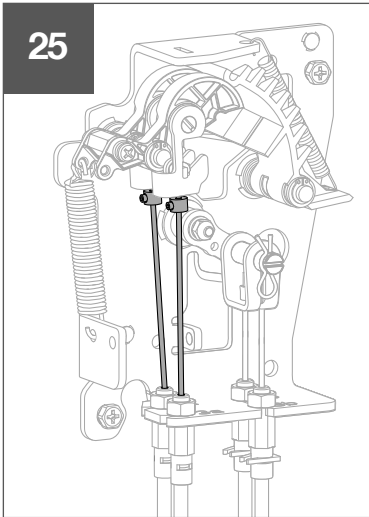
2b / 3b ➔ 2a / 3a











T

TEST WARNING → **6LE009728Aa**