

## DS-1602ZJ-Pole-P

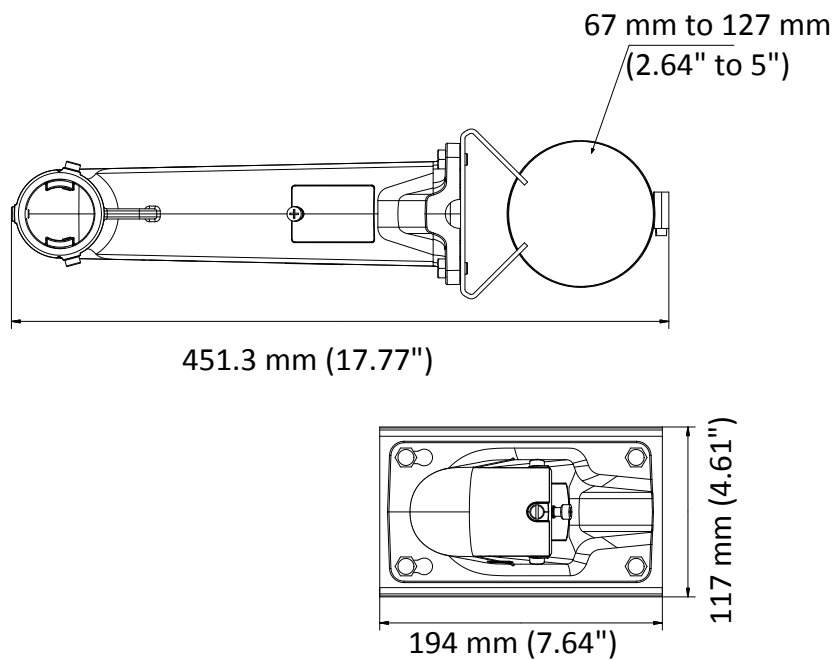
Vertical Pole Mount for Speed Dome



### Feature

- Aluminum alloy with surface spray treatment
- The hook for safety rope facilitates speed dome's installation
- Waterproof design

### Dimension



### Available Model

DS-1602ZJ-Pole-P

### Parameter

|            |   |
|------------|---|
| Model      | DS-1602ZJ-Pole-P  |
| Parameters | Vertical Pole Mount for Speed Dome                      |
| Appearance | Platinum Gray   |
| Material   | Aluminum Alloy  |
| Dimension  | 451.3 mm × 194.0 mm × 117.0 mm (17.77" × 7.64" × 4.61") |
| Weight     | 2040 g (4.50 lb.)                                       |

### Note

- The waterproof rubber is necessary for the outdoor application.
- The wall must be capable of supporting at least 3 times as much as the total weight of the speed dome and the mount.
- The mount's maximum load capacity is 10 kg (22 lb.).