

Part number

CX 8.0 MPQM



Male pneumatic metal contact, straight, quick-fitting, without shut-off valve, outer diameter 8,0 mm

Product description

Product type	Pneumatic contact
Gender	Male
Specification	Straight, quick-fitting Without shut-off valve, outer diameter 8 mm

Further technical details

Weight	0,50 g
---------------	--------

Material properties

Main material	Nickel plated brass
Other materials	Polyamide (PA)
RoHs conformity	Compliant with exemption 6(c): copper alloy containing up to 4% lead by weight
China RoHs - EFUP	50
REACH SVHC substances	Yes Lead

General ordering information

EAN13 code	8015747289719
eCl@ss 8.1	27440204
ETIM 7.0	EC000796

Packaging Information

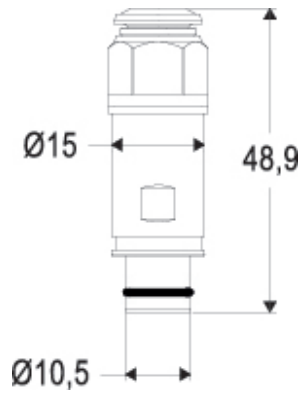
Packaging length	112,00 mm
Packaging height	95,00 mm
Packaging width	117,00 mm
Packaging volume	1,24 dm ³
Packaging description	Carton box
Packaging quantity	20 Pcs
Packaging EAN code	8015747289726
Sub-packaging description	Plastic bag
Sub-packaging quantity	2 Pcs
Sub-packaging EAN barcode	8015747289733

Part number

CX 8.0 MPQM



Catalogue drawings



Notes

California Proposition 65 Information



WARNING

This product can expose you to nickel compounds, known to the State of California to cause cancer and/or reproductive toxicity. For more information go to www.P65Warnings.ca.gov.