

Enkel geschikt voor toestellen op zeer lage spanning (minder dan 50 V-AC / 120 V-DC)
 Convient uniquement pour les produits à très basse tension (moins de 50 V-AC / 120 V-DC)
 Geeignet für Güter mit sehr niedriger Spannung (unter 50 V-AC / 120 V-DC)
 Only suited for goods at very low voltage (below 50 V-AC / 120 V-DC)
 Se recomienda únicamente para aquellos productos de tensión muy baja (menos de 50 V-AC / 120 V-DC)
 Vale unicamente per i prodotti a tensione molto bassa (inferiore a 50 V-AC / 120 V-DC)

Not compatible with Class I devices and not with other companies Class III devices

IP20
 Beschermtd tegen vaste voorwerpen die groter zijn dan 12 mm
 Protégé contre les objets solides de plus de 12 mm
 Geschützt gegen Festkörper größer als 12 mm
 Protected against solid objects greater than 12 mm
 Protegido contra objetos sólidos superiores a 12 mm
 Protetto contro oggetti solidi più grandi di 12 mm

Install suitable means for overload and short-circuit protection according to local installation requirements. (IEC 60364-7-715)

SLM26L - PROFILE	
	SLM26L - PROFILE 23358 0000
48V-DC (2 conductors) MAX. 200W, MAX 50M 2 DIM conductors (for individual dimming) DALI dimmable luminaires on request	

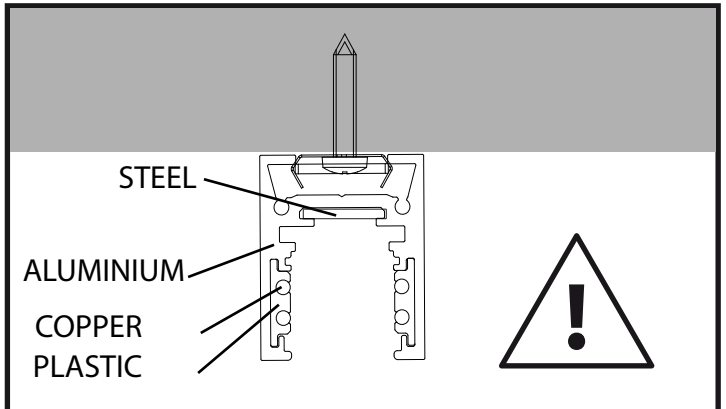
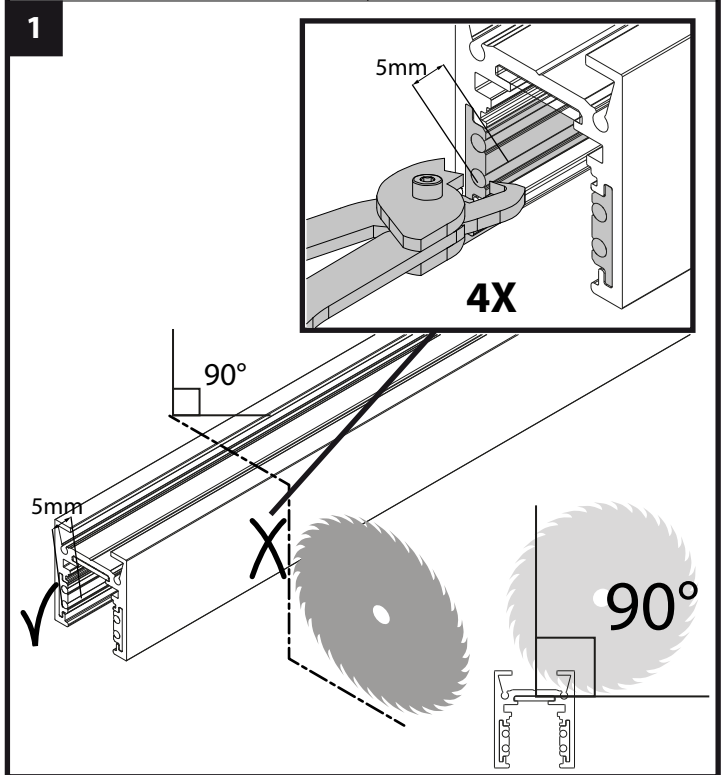
SLM26L - PROFILE

DEEL
 PARTIE
 TEIL
 PART
 PARTE
 PARTE

A

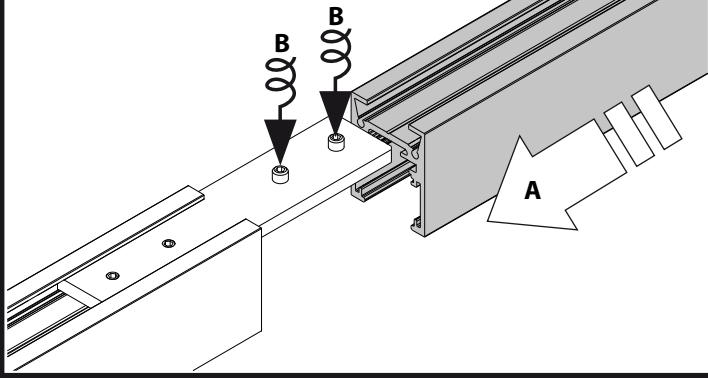
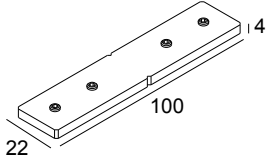
TRACK CUTTING TOOL

	TRACK CUTTING TOOL 200 12 01
	 USE AFTER EVERY SAW CUT OF THE ALUMINIUM PROFILE SLM26L - PROFILE 1m SLM26L - PROFILE 2m SLM26L - PROFILE 3m



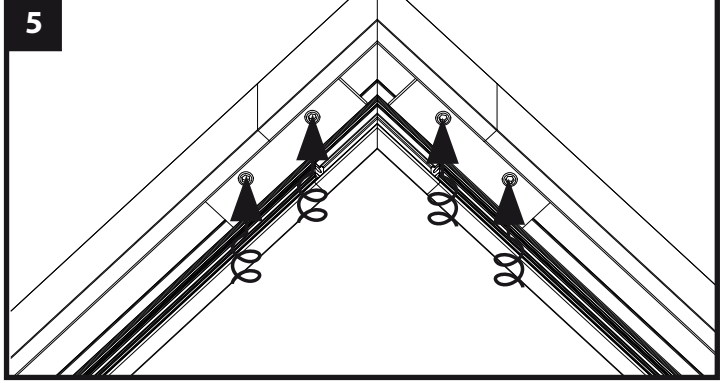
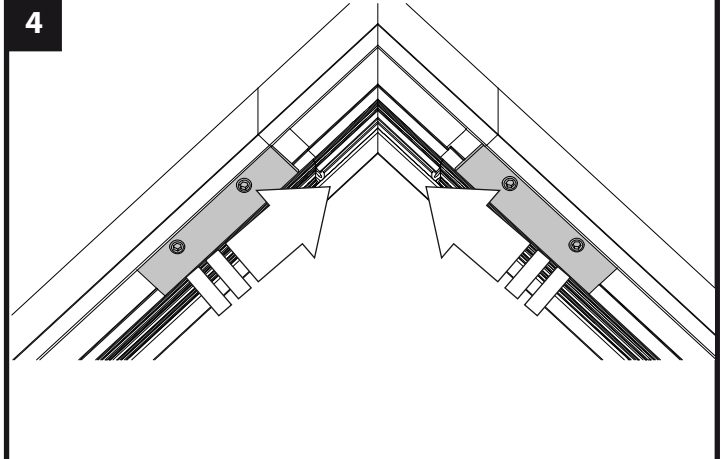
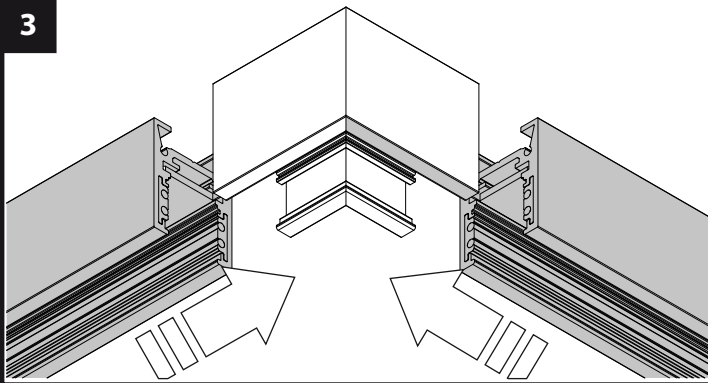
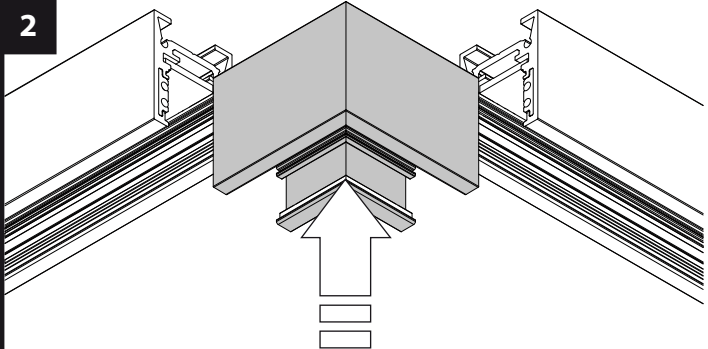
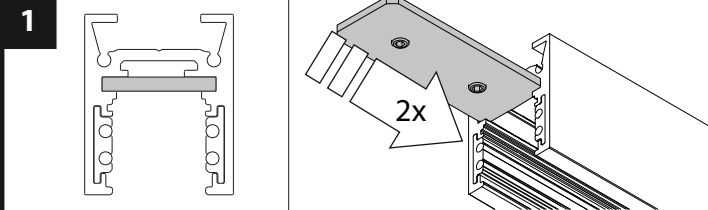
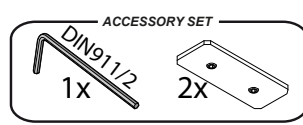
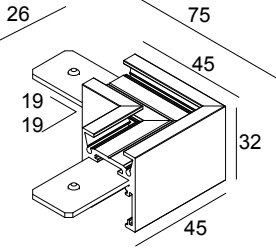
SLM26L - CORNER 180°

SLM26L - CORNER 180°
23358 0620



SLM26L - CORNER 90°

SLM26L - CORNER SET 90°
23358 0640



FIXATION

	<p>SLM26L - FIXATION SET 23358 1410</p>
<p>! Min. 2x / 1m</p>	

POSITION FOR INSTALLATION

STEEL
ALUMINIUM
COPPER
PLASTIC

NO CHAMFER

1

10mm
MAX 1 m

2

C
LOCK

A
B

! IF LOCK NOT ACCESSIBLE,
FIX BY DRILL & SCREW

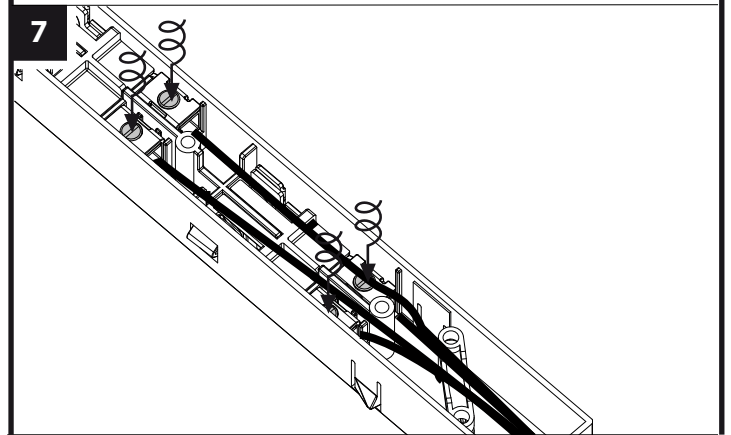
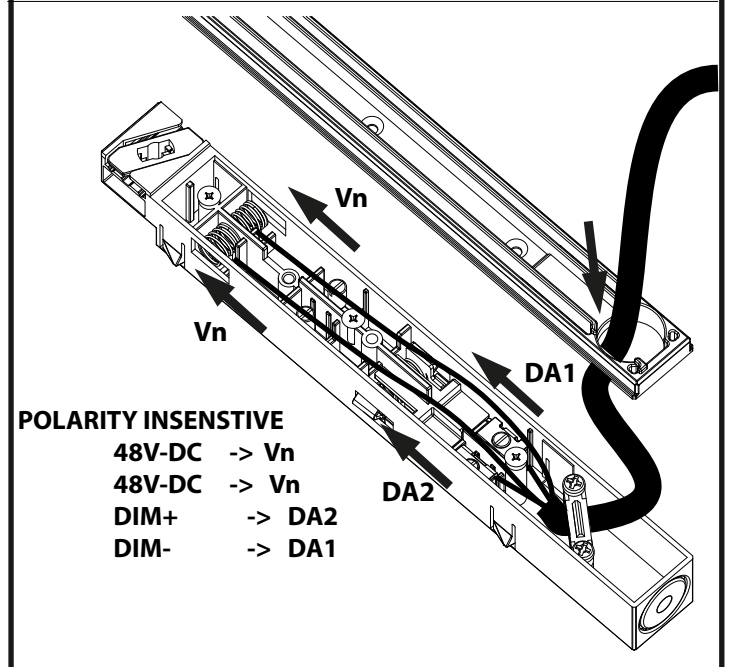
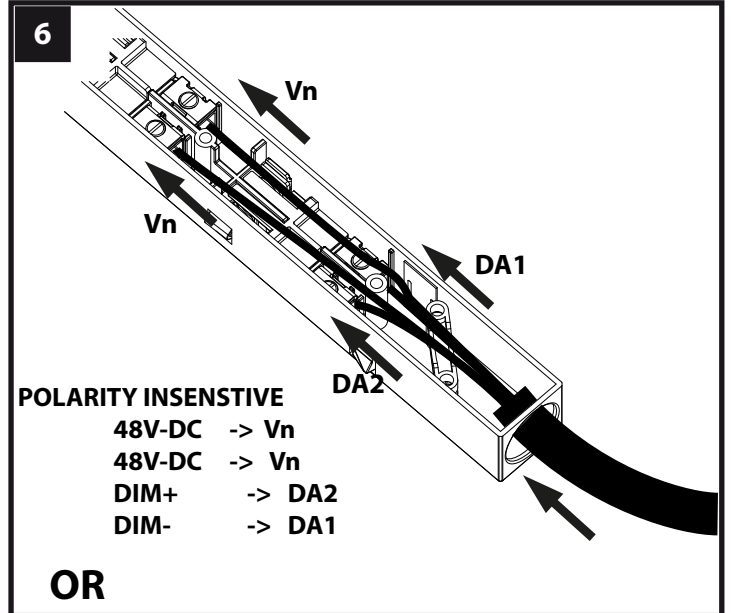
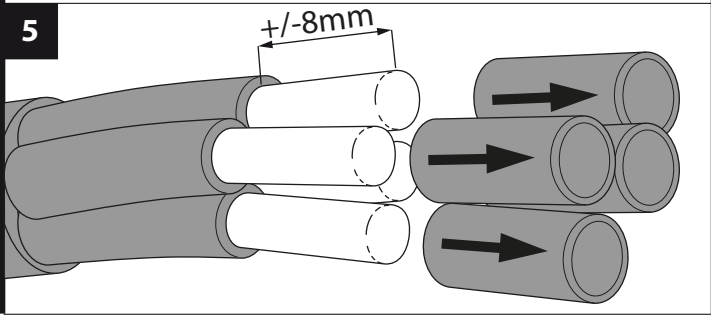
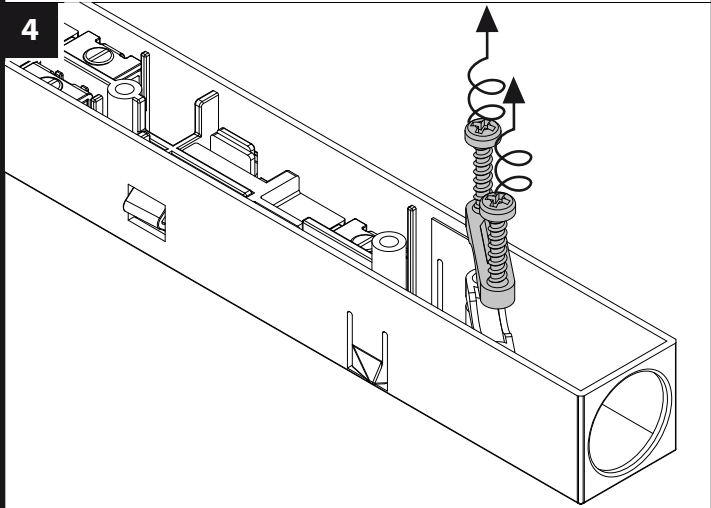
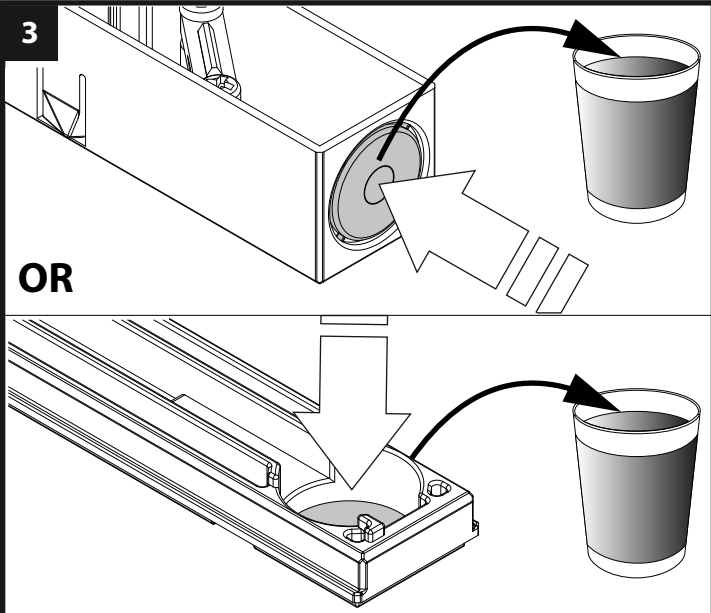
SPM - SUPPLY 48V

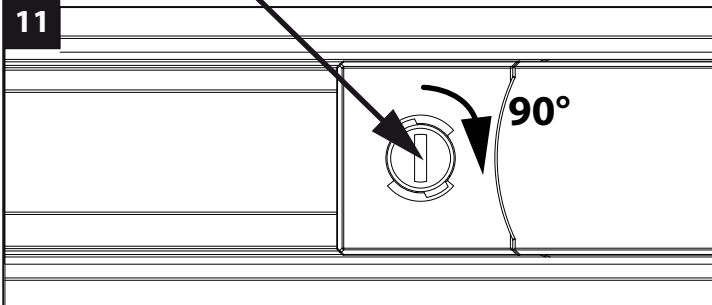
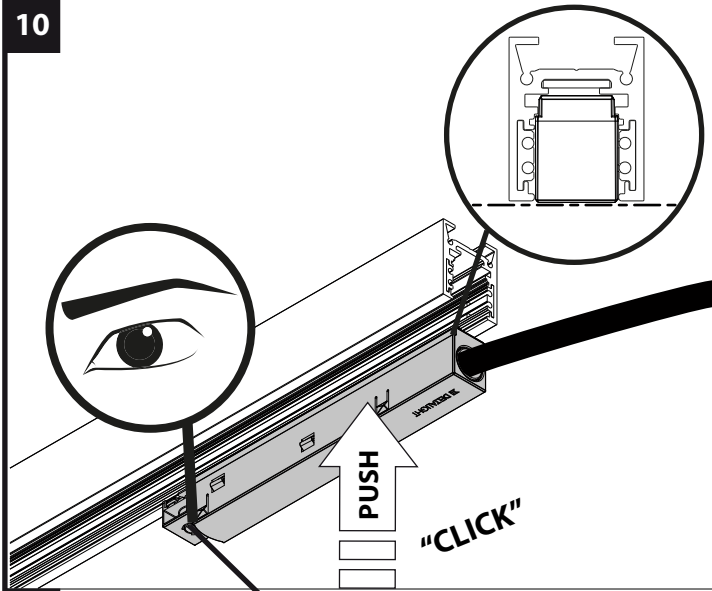
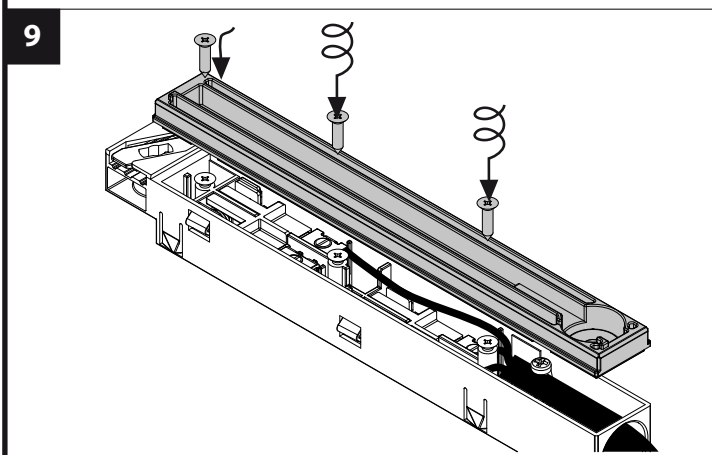
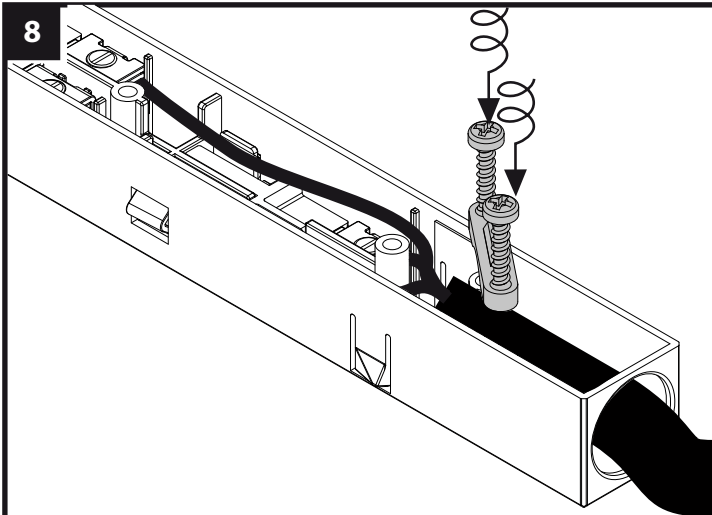
	<p>SPM - SUPPLY 48V 420 99 03</p>
<p>48V-DC MAX. 200W MAX. 50M</p> <p>Connector should only be connected to SELV Voltage</p>	
<p>DA1 & DA2 : DALI CHANNELS FOR ED5 MODULES</p>	

V_n DA1
 V_n DA2

1

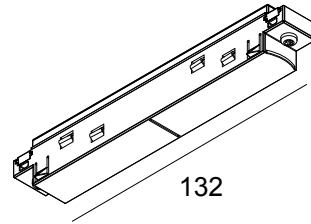
2





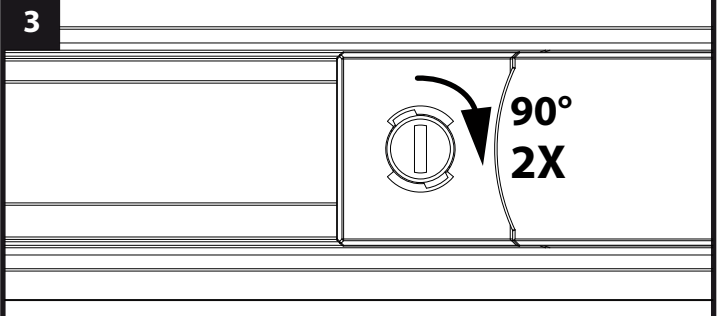
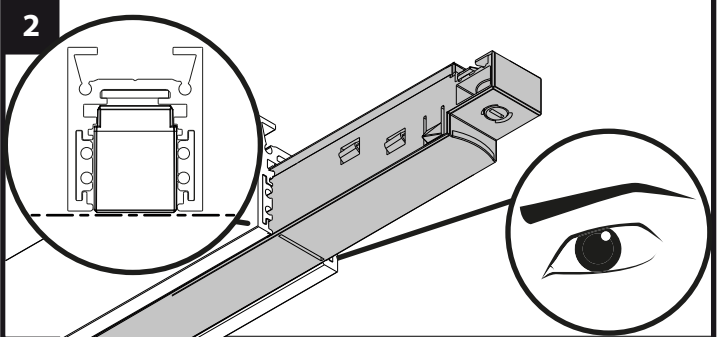
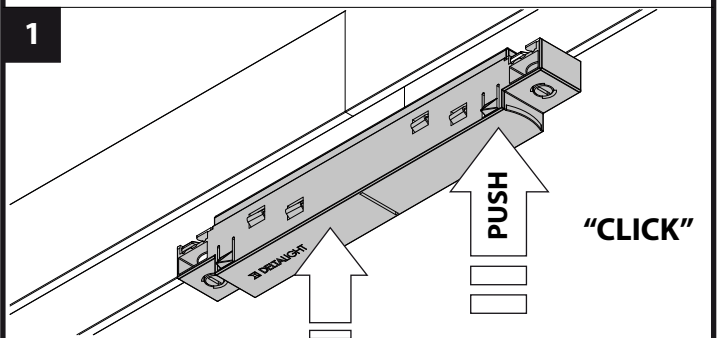
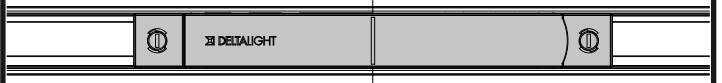
SPM - CONNECTOR 48V - 180°

SPM - CONNECTOR 48V - 180°
420 99 01

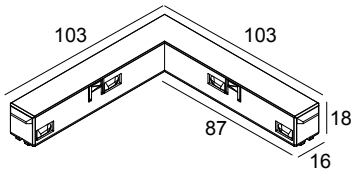


48V-DC
MAX. 200W
MAX. 50M

CAUTION TO REDUCE THE RISK OF OVERHEATING AND FIRE, DO NOT BRIDGE CONDUCTORS



SPM - CONNECTOR 48V - 90°



SPM - CONNECTOR 48V-90°
23300 9920

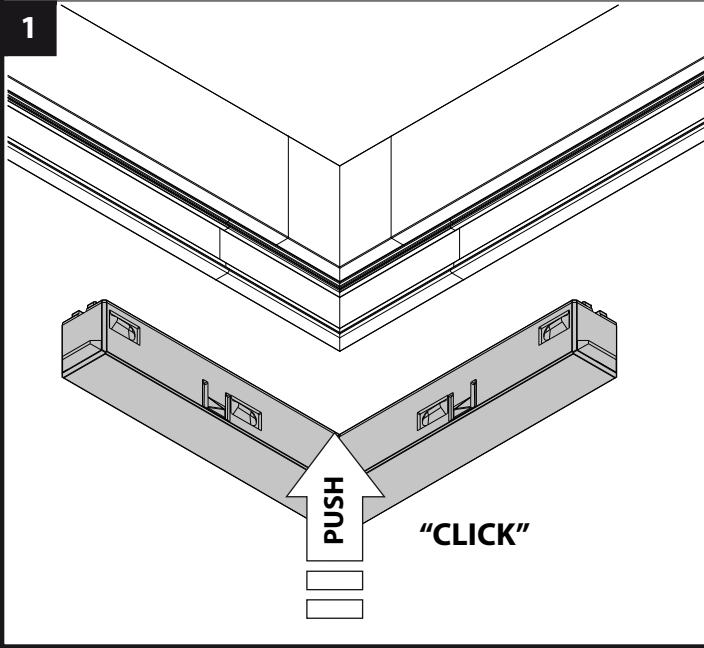
48V-DC
MAX. 200W
MAX. 50M



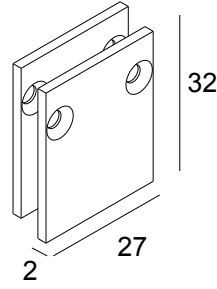
CAUTION

TO REDUCE THE RISK OF
OVERHEATING AND FIRE,
DO NOT BRIDGE CONDUCTORS

1

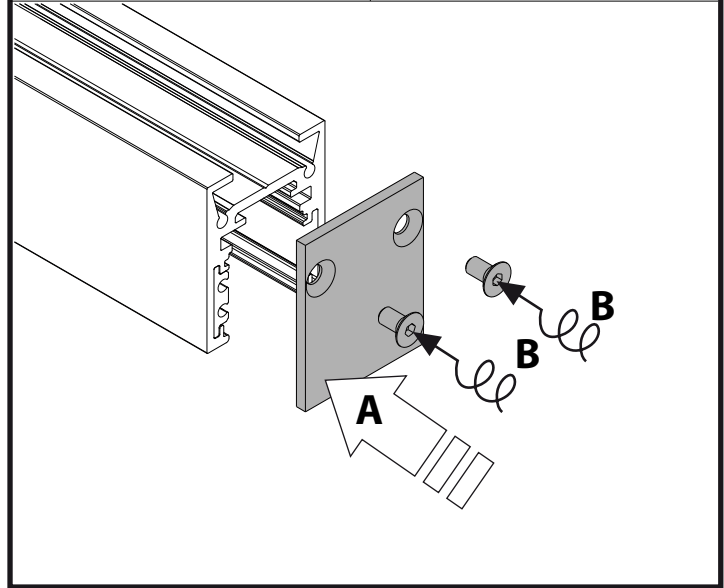


SLM26 - END CAP

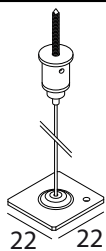


SLM26 L - END CAP
23358 0300

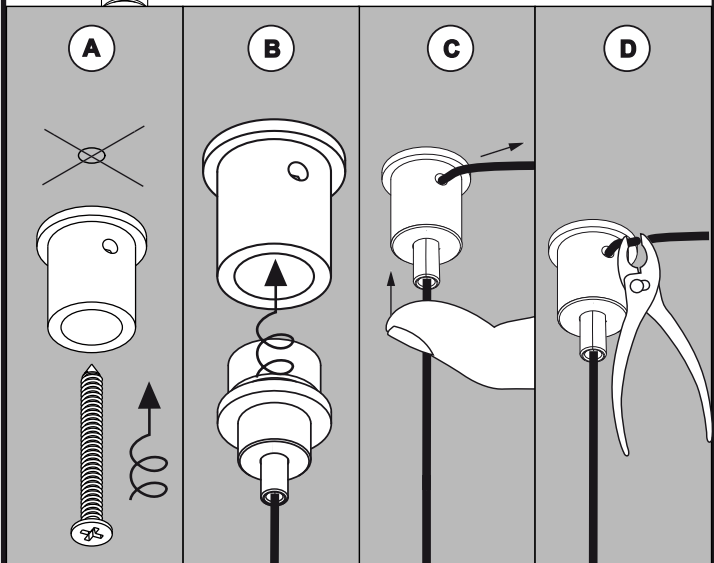
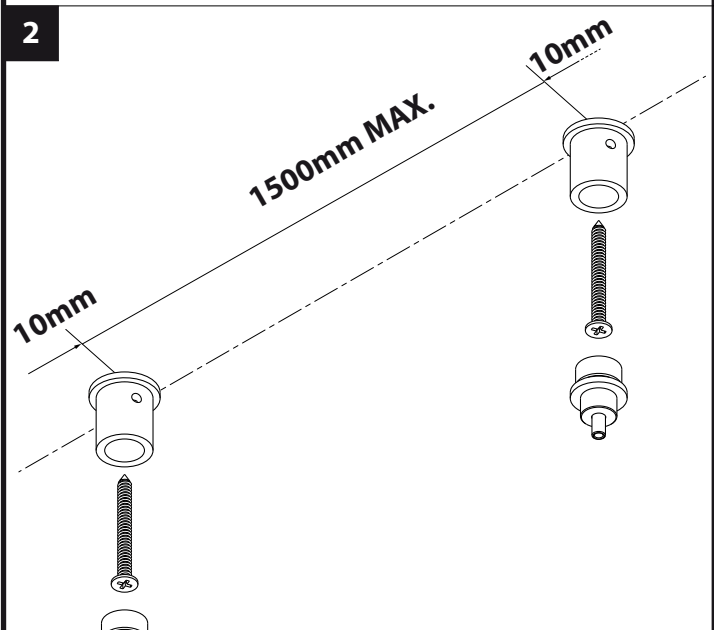
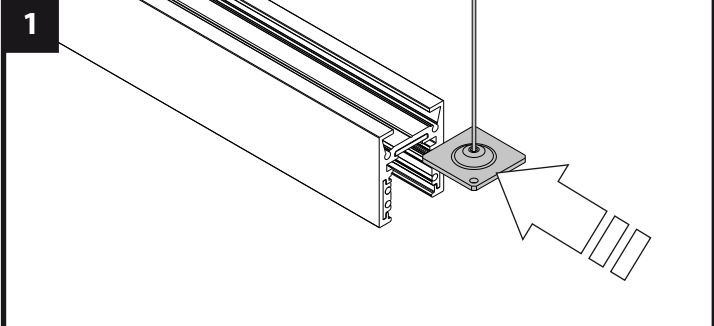
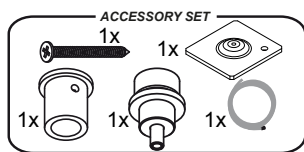
SET OF 2 PCS



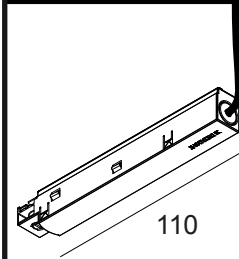
SUSPENSION SINGLE 1,6m



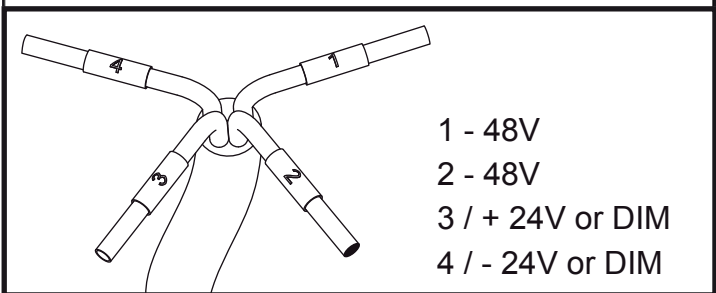
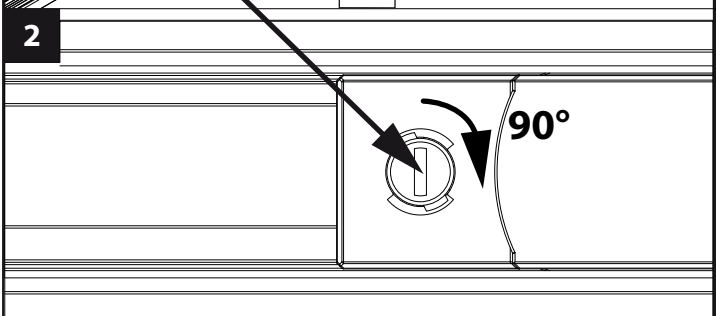
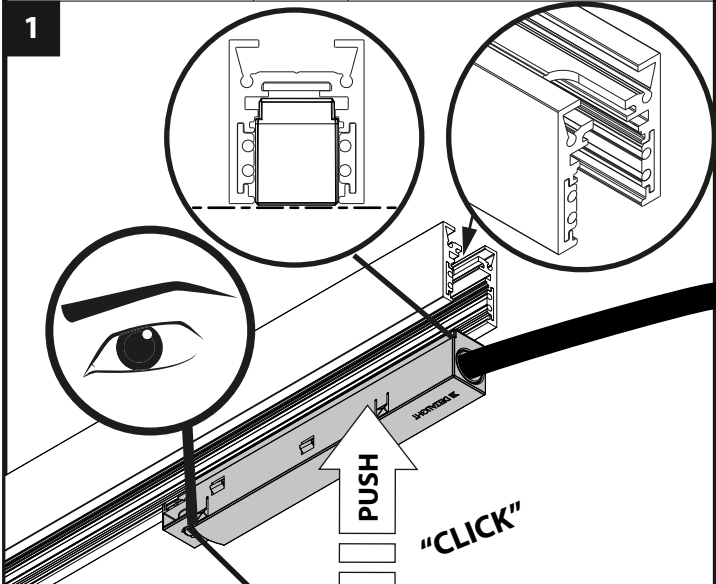
SLM - Cable Suspension single 1,6m
23359 0510



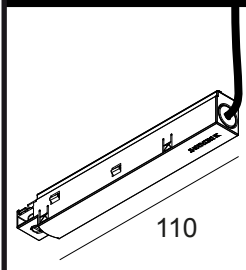
CURRENT SUPPLY SET L 1,6M TRANSPARENT

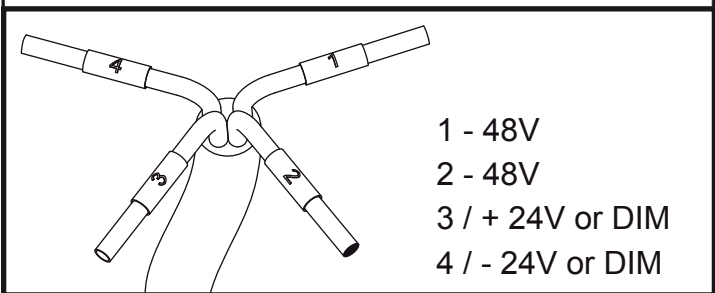
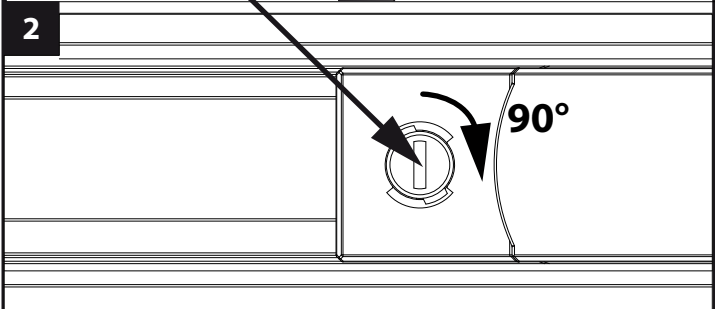
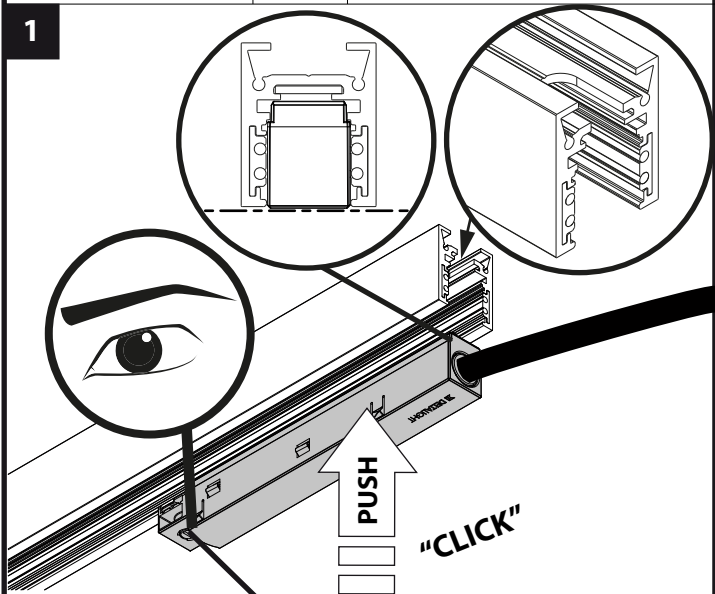


NO DIM AND NO UPLIGHT	SLM - CURRENT SUPPLY SET 2 x 0,75mm ² 1,6m MDL 23359 2120
DIM5	SLM - CURRENT SUPPLY SET 4 x 0,75mm ² 1,6m DIM5 23359 2140

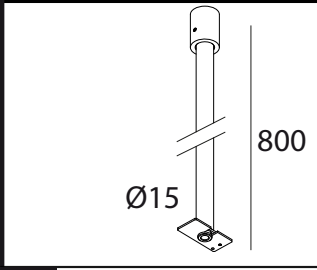
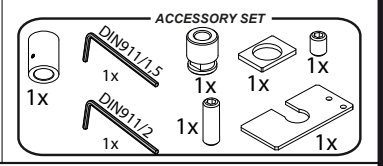


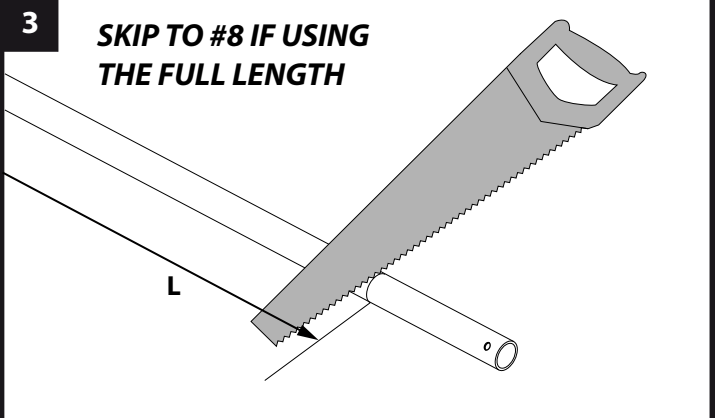
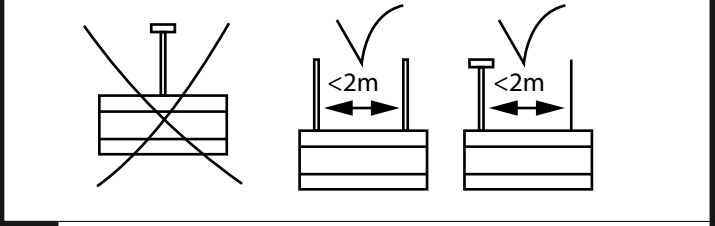
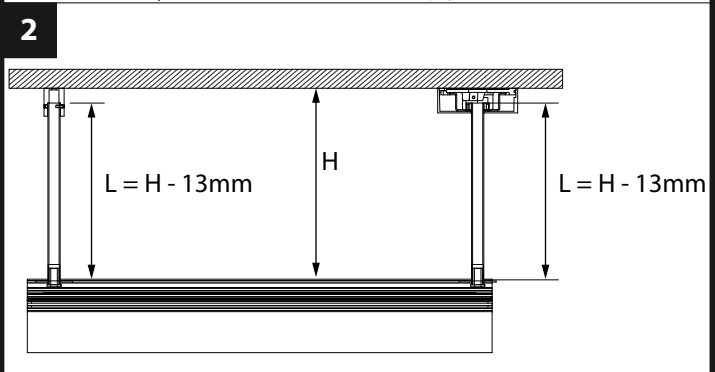
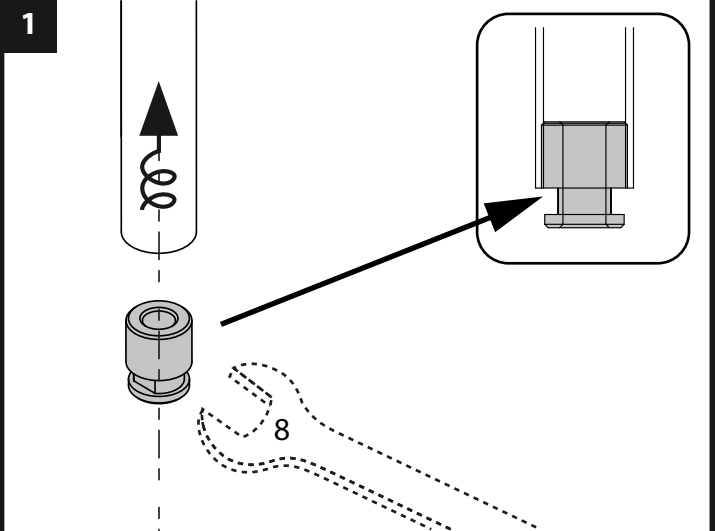
CURRENT SUPPLY SET L 1,6M BLACK

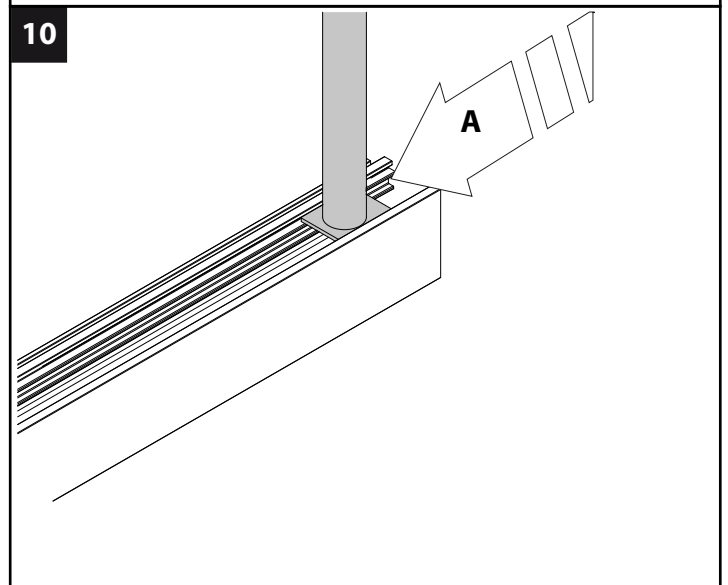
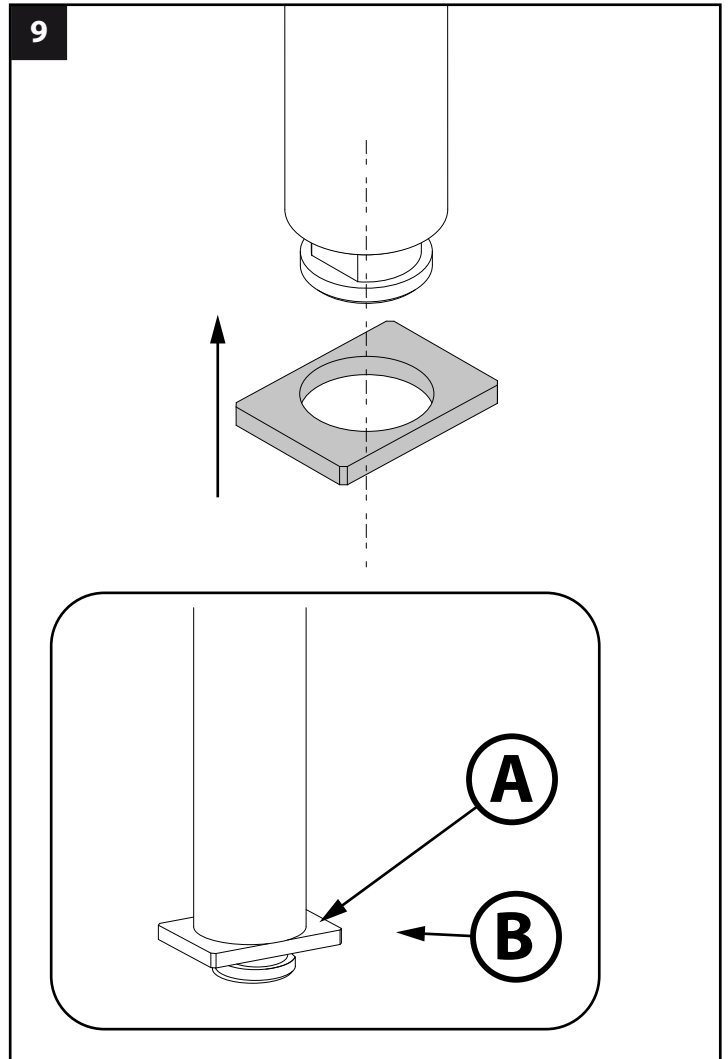
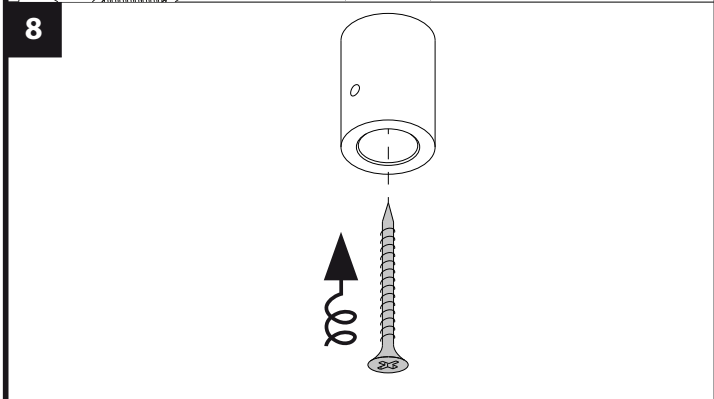
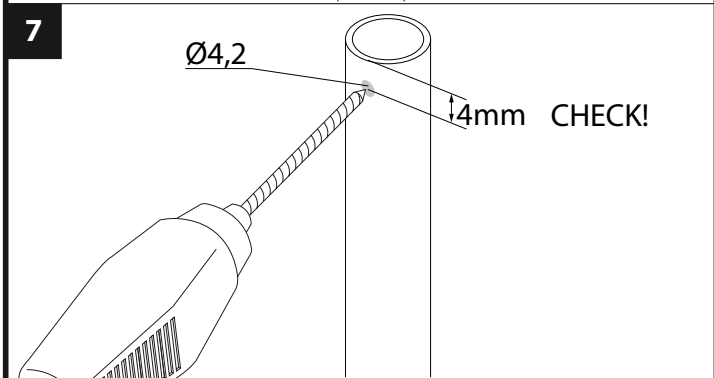
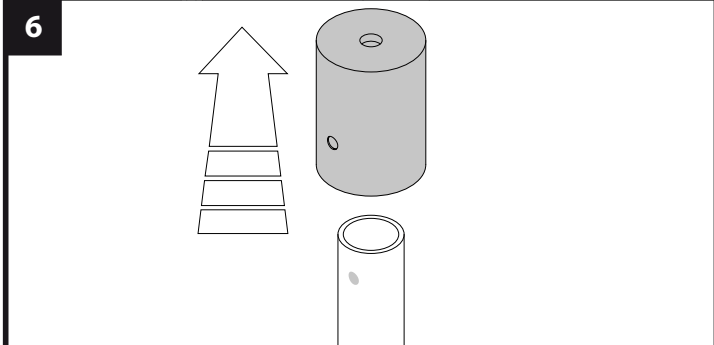
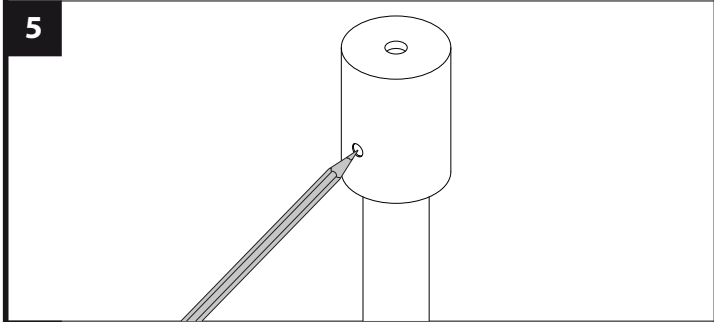
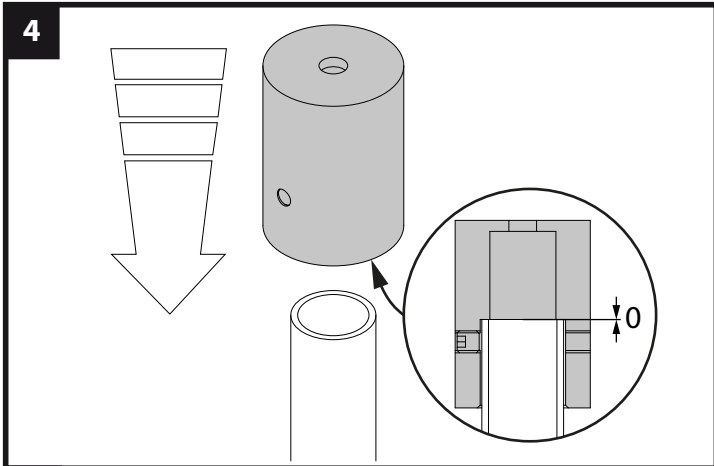
	NO DIM AND NO UPLIGHT	SLM - CURRENT SUPPLY SET 2 x 0,75mm ² 1,6m MDL 23359 2220
	DIM5	SLM - CURRENT SUPPLY SET 4 x 0,75mm ² 1,6m DIM5 23359 2240

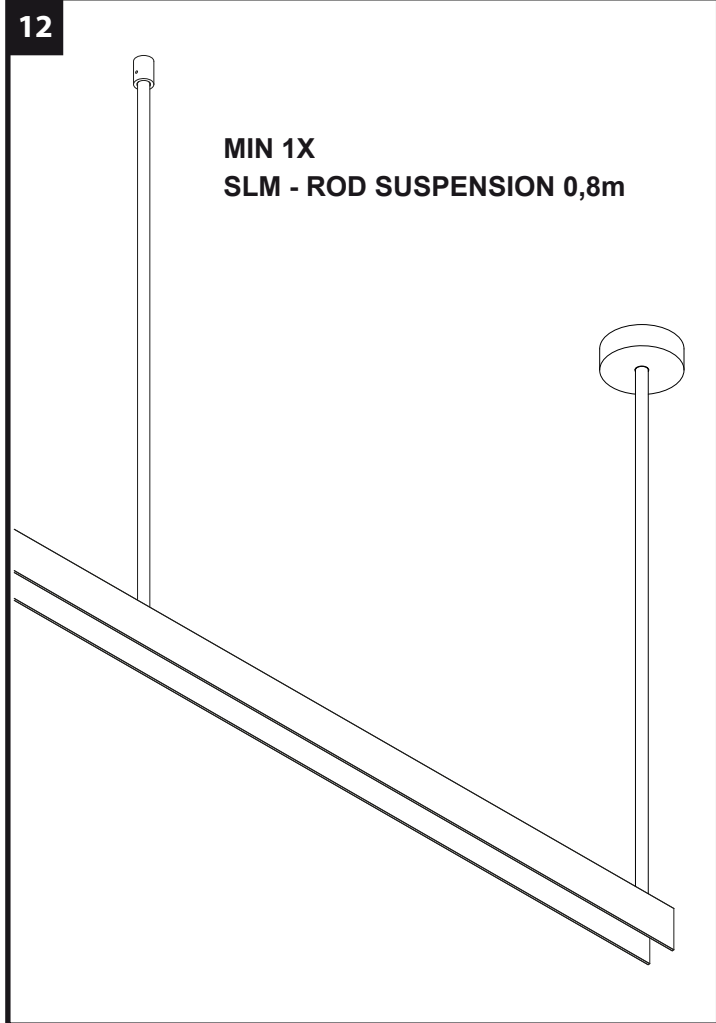
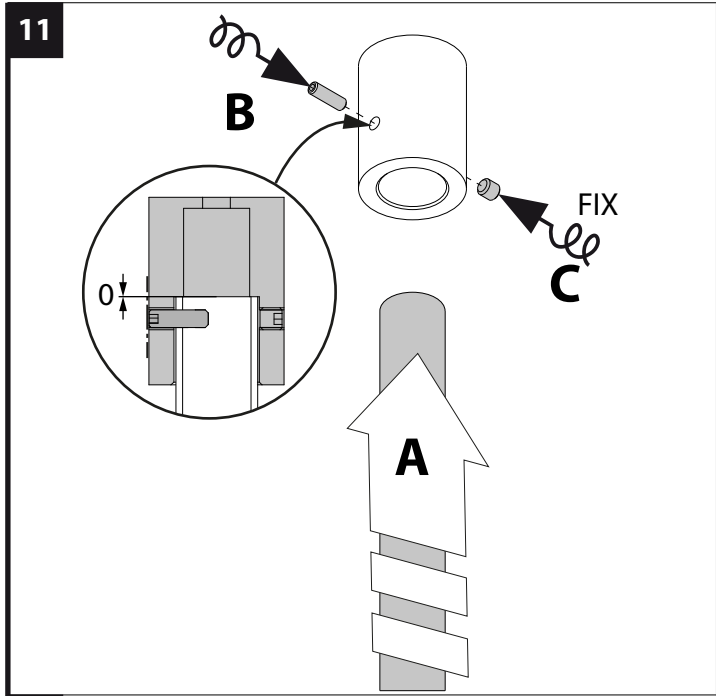


SLM - ROD SUSPENSION 0,8m

	SLM - ROD SUSPENSION 0,8m 23358 1520	
	<p>ACCESSORY SET</p> 	







SLM - ROD SUSPENSION 0,8m + CONNECTION

